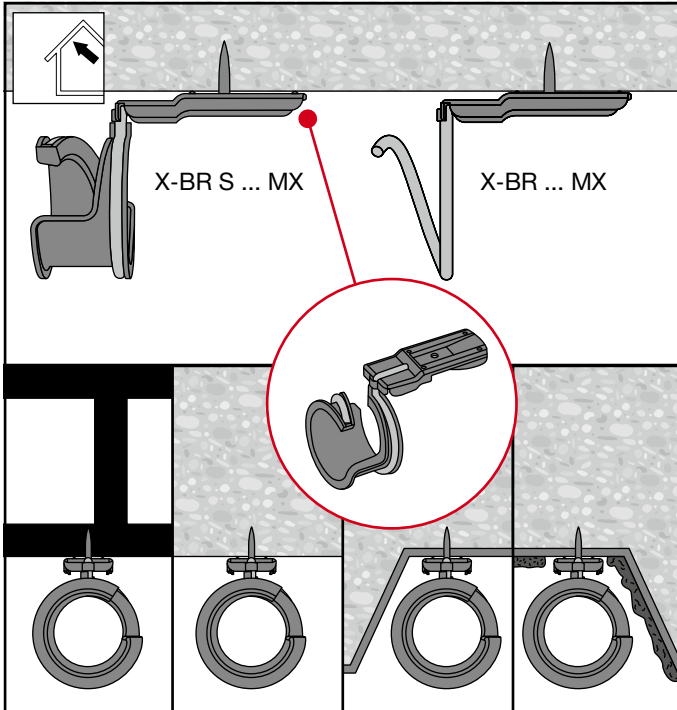




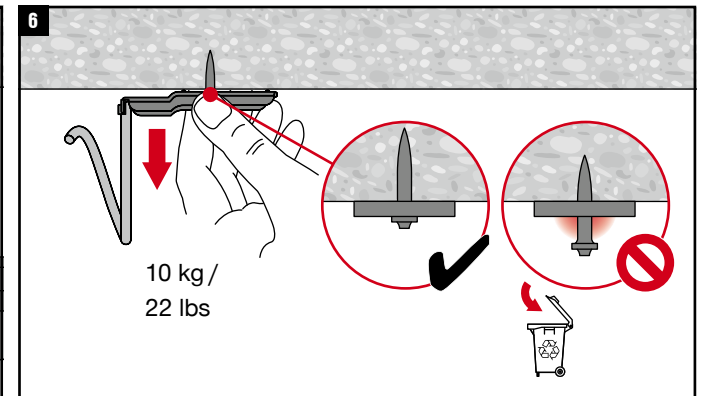
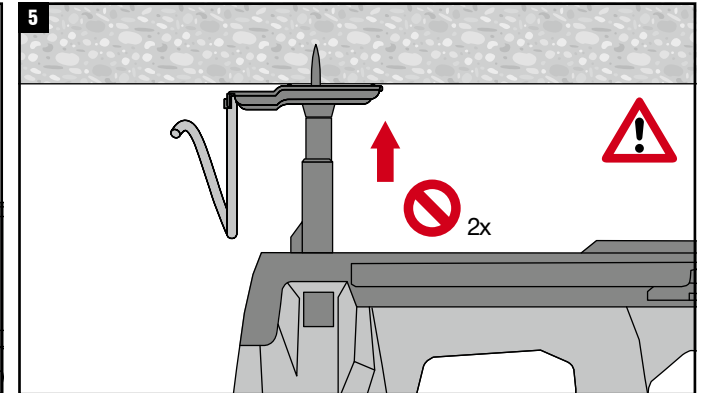
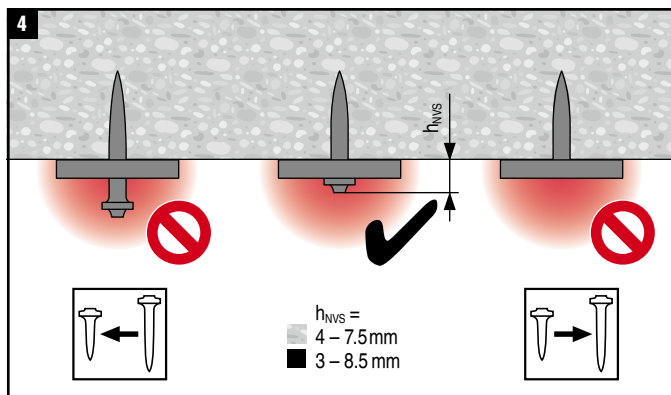
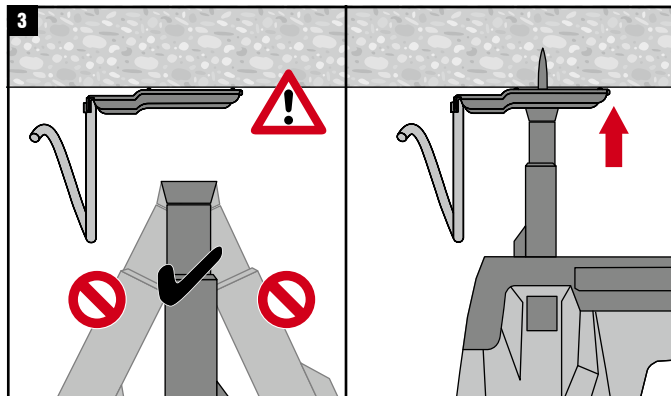
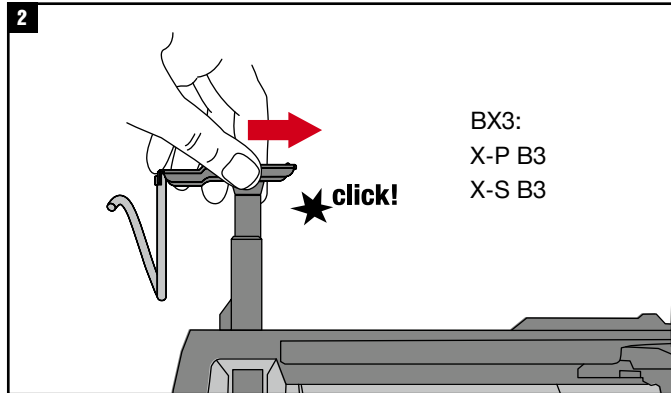
Bridle ring is rated 16.6lbs, suitable for use in Air Handling Spaces (plenums) in accordance with Section 300.22 (C) and (D) of the National Electrical Code, and Rules 12-010 (3), (4), and (5), and 12-020 of the Canadian Electrical Code, Part I. Load rating corresponds with mechanical strength according to UL Standard for Hardware for the Support of Conduit Tubing and Cable, UL2239; Mounting orientation: Horizontal.



**1**

BX 3-ME,  
BX 3-ME 02,  
+ X-PT B3

Concrete	Steel
Ceiling	
<b>X-P 17 B3 MX</b> X-P 20 B3 MX	<b>X-S 14 B3 MX</b>



**7**

Cable Type	X-BR 1-1/4" MX	X-BR 2" MX	X-BR S 2" MX
CAT 5e			37
CAT 6			30
CAT 6A			17
CAT 7A			15
MC 14-2, 14-3, 14-4, 12-2, 12-3, 12-4, 10-2, 10-3	1	3	
FPLR, FPLP	39	60	