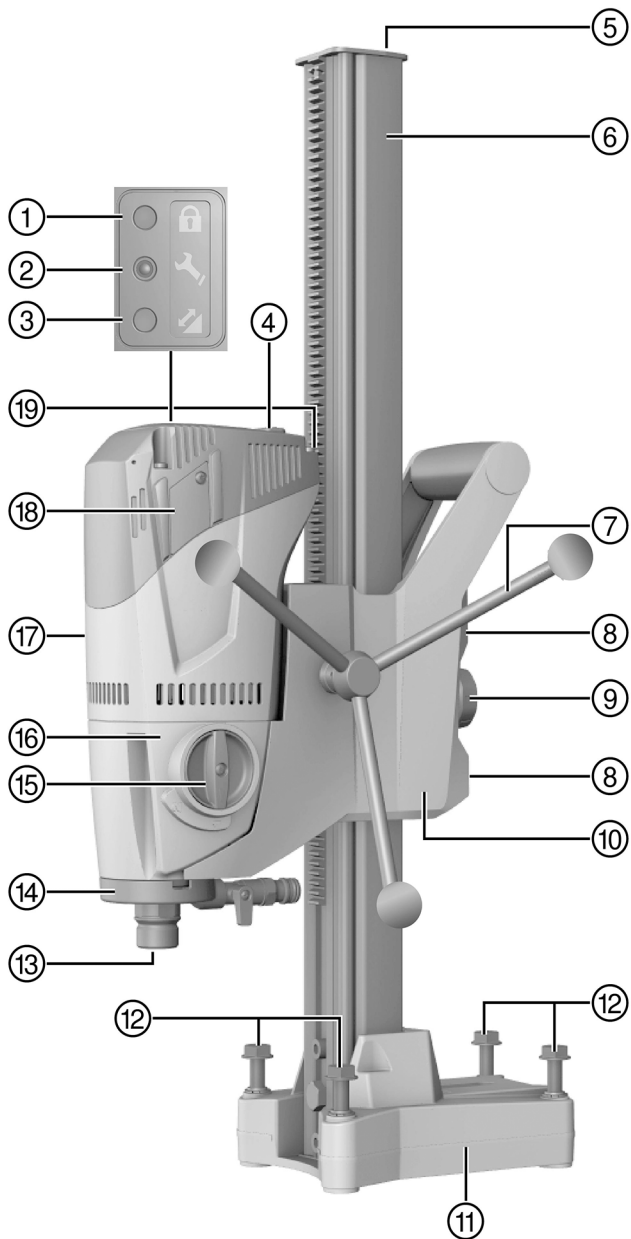
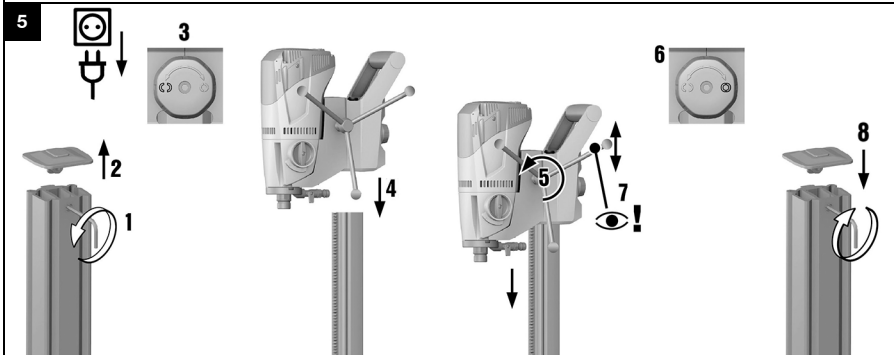
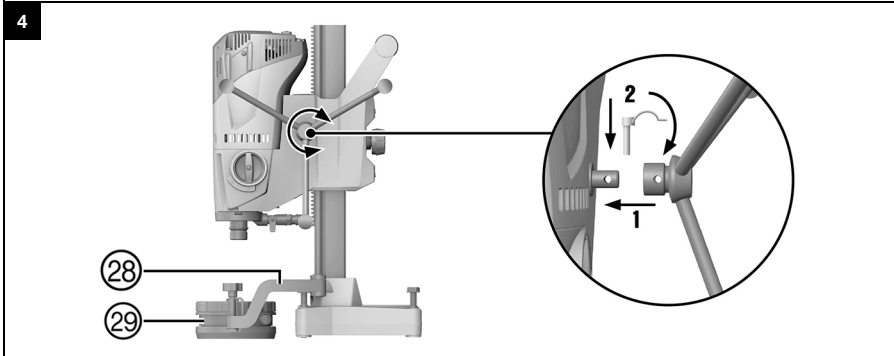
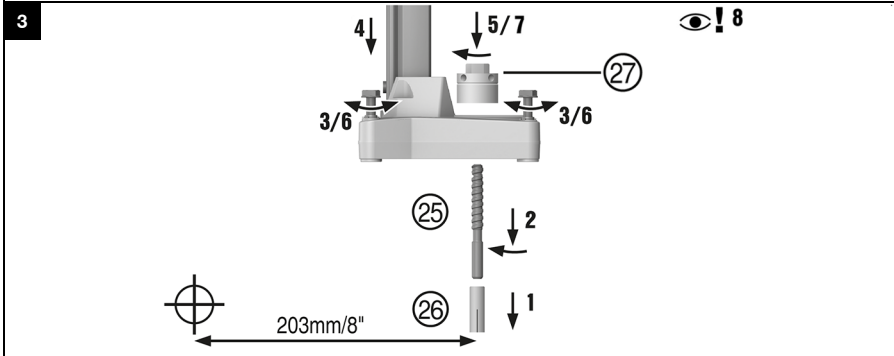
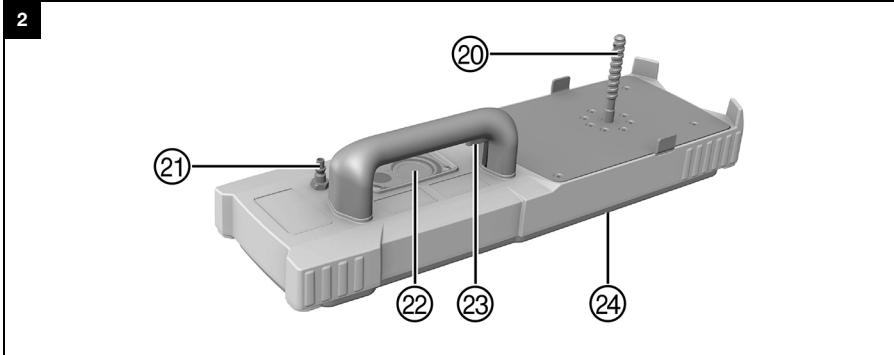


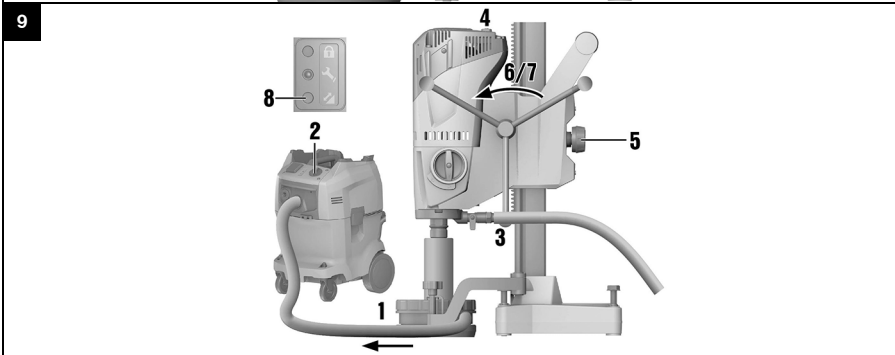
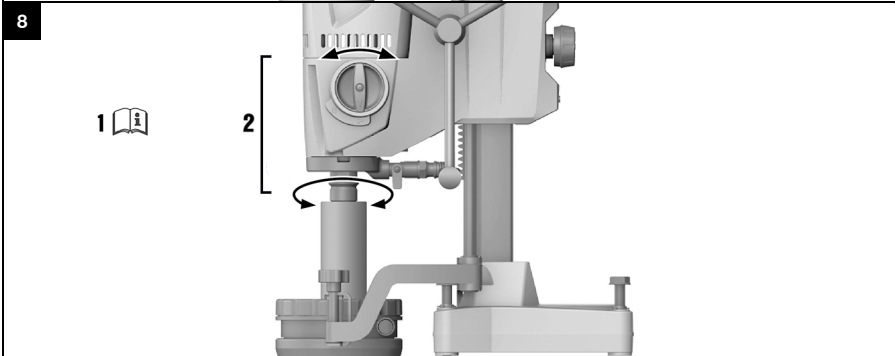
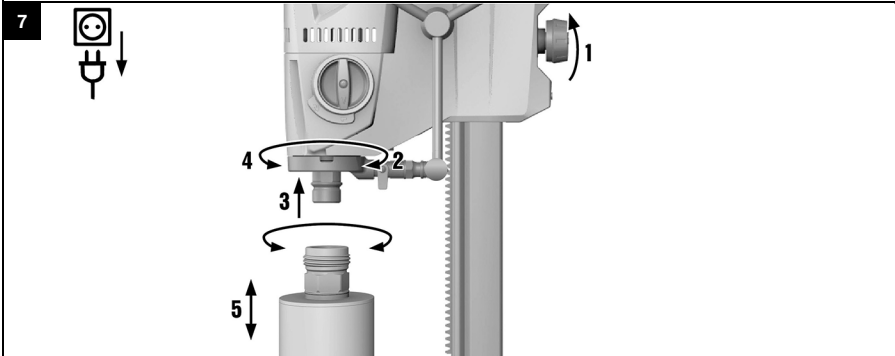
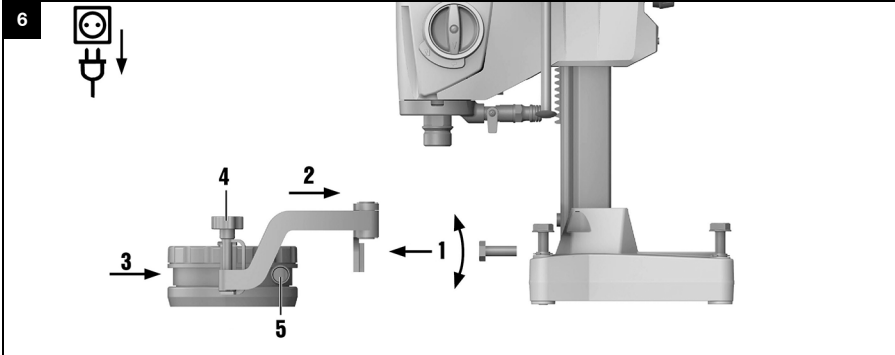


DD 120

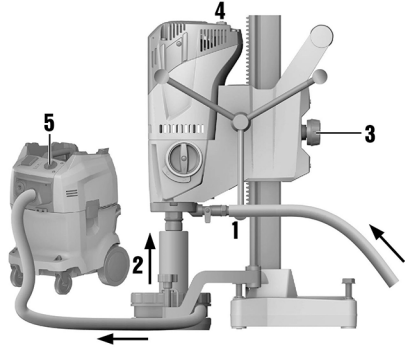
English	1
Français	19
Español	38
Português	57







10



11



DD 120

en	Original operating instructions	1
fr	Mode d'emploi original	19
es	Manual de instrucciones original	38
pt	Manual de instruções original	57

1 Information about the documentation

1.1 About this documentation

- Read this documentation before initial operation or use. This is a prerequisite for safe, trouble-free handling and use of the product.
- Observe the safety instructions and warnings in this documentation and on the product.
- Always keep the operating instructions with the product and make sure that the operating instructions are with the product when it is given to other persons.

1.2 Explanation of symbols used

1.2.1 Warnings

Warnings alert persons to hazards that occur when handling or using the product. The following signal words are used:



DANGER !

- ▶ Draws attention to imminent danger that will lead to serious personal injury or fatality.



WARNING !

- ▶ Draws attention to a potential threat of danger that can lead to serious injury or fatality.



CAUTION !

- ▶ Draws attention to a potentially dangerous situation that could lead to slight personal injury or damage to the equipment or other property.

1.2.2 Symbols in the documentation

The following symbols are used in this document:

	Read the operating instructions before use.
	Instructions for use and other useful information
	Dealing with recyclable materials
	Do not dispose of electric equipment and batteries as household waste

1.2.3 Symbols in the illustrations

The following symbols are used in illustrations:

	These numbers refer to the corresponding illustrations found at the beginning of these operating instructions
3	The numbering reflects the sequence of operations shown in the illustrations and may deviate from the steps described in the text
	Item reference numbers are used in the overview illustrations and refer to the numbers used in the product overview section
	This symbol is intended to draw special attention to certain points when handling the product.

1.3 Product-dependent symbols

1.3.1 "Must do" symbols

The following "must do" symbols are used:



2215140

	Wear eye protection
	Wear a hard hat
	Wear ear protection
	Wear protective gloves
	Wear protective footwear
	Wear light respiratory protection

1.3.2 Symbols on the product

The following symbols can be used on the product:

	Theft protection indicator
	Service indicator
	Drilling performance indicator
	Protective ground
n_0	Rated speed under no load
	Wireless data transfer

1.4 Information notices

On the drill stand, base plate or diamond core drilling machine

	<p>On the vacuum base plate</p> <p>Upper half of the image: An additional means of securing the drill stand must be employed when the machine is used for horizontal drilling with the vacuum securing method.</p> <p>Lower half of the image: Use of the vacuum securing method without an additional means of securing is prohibited for drilling in an upward direction.</p>
	<p>On the diamond core drilling machine</p> <p>Use of the water collection system in conjunction with a wet-type industrial vacuum extractor is a mandatory requirement for working overhead.</p>
	<p>On the diamond core drilling machine</p> <p>Operate the system only with a fully functional PRCD.</p>



1.5 Product information

products are designed for professional users and only trained, authorized personnel are permitted to operate, service and maintain the products. This personnel must be specifically informed about the possible hazards. The product and its ancillary equipment can present hazards if used incorrectly by untrained personnel or if used not in accordance with the intended use.

The type designation and serial number are printed on the rating plate.

- ▶ Write down the serial number in the table below. You will be required to state the product details when contacting Hilti Service or your local Hilti organization to inquire about the product.

Product information

Diamond core drilling machine	DD 120
Generation	01
Serial no.	

1.6 Declaration of conformity

We declare, on our sole responsibility, that the product described here complies with the applicable directives and standards. A copy of the declaration issued by the certification department can be found at the end of this documentation.

The technical documentation is filed here:

Hilti Entwicklungsgesellschaft mbH | Tool Certification | Hiltistrasse 6 | 86916 Kaufering, Germany

2 Safety

2.1 General power tool safety warnings

WARNING Read all safety warnings, instructions, illustrations and specifications provided with this power tool. Failure to follow all instructions listed below may result in electric shock, fire and/or serious injury. **Save all warnings and instructions for future reference.**

The term "power tool" in the warnings refers to your mains-operated (corded) power tool or battery-operated (cordless) power tool.

Work area safety

- ▶ **Keep work area clean and well lit.** Cluttered or dark areas invite accidents.
- ▶ **Do not operate power tools in explosive atmospheres, such as in the presence of flammable liquids, gases or dust.** Power tools create sparks which may ignite the dust or fumes.
- ▶ **Keep children and bystanders away while operating a power tool.** Distractions can cause you to lose control.

Electrical safety

- ▶ **Power tool plugs must match the outlet. Never modify the plug in any way. Do not use any adapter plugs with earthed (grounded) power tools.** Unmodified plugs and matching outlets will reduce risk of electric shock.
- ▶ **Avoid body contact with earthed or grounded surfaces, such as pipes, radiators, ranges and refrigerators.** There is an increased risk of electric shock if your body is earthed or grounded.
- ▶ **Do not expose power tools to rain or wet conditions.** Water entering a power tool will increase the risk of electric shock.
- ▶ **Do not abuse the cord. Never use the cord for carrying, pulling or unplugging the power tool. Keep cord away from heat, oil, sharp edges or moving parts.** Damaged or entangled cords increase the risk of electric shock.
- ▶ **When operating a power tool outdoors, use an extension cord suitable for outdoor use.** Use of a cord suitable for outdoor use reduces the risk of electric shock.
- ▶ **If operating a power tool in a damp location is unavoidable, use a residual current device (RCD) protected supply.** Use of an RCD reduces the risk of electric shock.

Personal safety

- ▶ **Stay alert, watch what you are doing and use common sense when operating a power tool. Do not use a power tool while you are tired or under the influence of drugs, alcohol or medication.** A moment of inattention while operating power tools may result in serious personal injury.
- ▶ **Use personal protective equipment. Always wear eye protection.** Protective equipment such as a dust mask, non-skid safety shoes, hard hat or hearing protection used for appropriate conditions will reduce personal injuries.



2215140

English

3

- ▶ **Prevent unintentional starting. Ensure the switch is in the off-position before connecting to power source and/or battery pack, picking up or carrying the tool.** Carrying power tools with your finger on the switch or energising power tools that have the switch on invites accidents.
- ▶ **Remove any adjusting key or wrench before turning the power tool on.** A wrench or a key left attached to a rotating part of the power tool may result in personal injury.
- ▶ **Do not overreach. Keep proper footing and balance at all times.** This enables better control of the power tool in unexpected situations.
- ▶ **Dress properly. Do not wear loose clothing or jewellery. Keep your hair, clothing and gloves away from moving parts.** Loose clothes, jewellery or long hair can be caught in moving parts.
- ▶ **If devices are provided for the connection of dust extraction and collection facilities, ensure these are connected and properly used.** Use of dust collection can reduce dust-related hazards.
- ▶ **Do not let familiarity gained from frequent use of tools allow you to become complacent and ignore tool safety principles.** A careless action can cause severe injury within a fraction of a second.

Power tool use and care

- ▶ **Do not force the power tool. Use the correct power tool for your application.** The correct power tool will do the job better and safer at the rate for which it was designed.
- ▶ **Do not use the power tool if the switch does not turn it on and off.** Any power tool that cannot be controlled with the switch is dangerous and must be repaired.
- ▶ **Disconnect the plug from the power source and/or remove the battery pack, if detachable, from the power tool before making any adjustments, changing accessories, or storing power tools.** Such preventive safety measures reduce the risk of starting the power tool accidentally.
- ▶ **Store idle power tools out of the reach of children and do not allow persons unfamiliar with the power tool or these instructions to operate the power tool.** Power tools are dangerous in the hands of untrained users.
- ▶ **Maintain power tools and accessories. Check for misalignment or binding of moving parts, breakage of parts and any other condition that may affect the power tool's operation. If damaged, have the power tool repaired before use.** Many accidents are caused by poorly maintained power tools.
- ▶ **Keep cutting tools sharp and clean.** Properly maintained cutting tools with sharp cutting edges are less likely to bind and are easier to control.
- ▶ **Use the power tool, accessories and tool bits etc. in accordance with these instructions, taking into account the working conditions and the work to be performed.** Use of the power tool for operations different from those intended could result in a hazardous situation.
- ▶ **Keep handles and grasping surfaces dry, clean and free from oil and grease.** Slippery handles and grasping surfaces do not allow for safe handling and control of the tool in unexpected situations.

Service

- ▶ **Have your power tool serviced by a qualified repair person using only identical replacement parts.** This will ensure that the safety of the power tool is maintained.

2.2 Diamond drill safety warnings

- ▶ **When performing drilling that requires the use of water, route the water away from the operator's work area or use a liquid collection device.** Such precautionary measures keep the operator's work area dry and reduce the risk of electrical shock.
- ▶ **Operate power tool by insulated grasping surfaces, when performing an operation where the cutting accessory may contact hidden wiring or its own cord.** Cutting accessory contacting a "live" wire may make exposed metal parts of the power tool "live" and could give the operator an electric shock.
- ▶ **Wear hearing protection when diamond drilling.** Exposure to noise can cause hearing loss.
- ▶ **When the bit is jammed, stop applying downward pressure and turn off the tool.** Investigate and take corrective actions to eliminate the cause of the bit jamming.
- ▶ **When restarting a diamond drill in the workpiece check that the bit rotates freely before starting.** If the bit is jammed, it may not start, may overload the tool, or may cause the diamond drill to release from the workpiece.
- ▶ **When securing the drill stand with anchors and fasteners to the workpiece, ensure that the anchoring used is capable of holding and restraining the machine during use.** If the workpiece is weak or porous, the anchor may pull out causing the drill stand to release from the workpiece.
- ▶ **When securing the drill stand with a vacuum pad to the workpiece, install the pad on a smooth, clean, non-porous surface. Do not secure to laminated surfaces such as tiles and composite coating.** If the workpiece is not smooth, flat or well affixed, the pad may pull away from the workpiece.



- ▶ **Ensure there is sufficient vacuum before and during drilling.** If the vacuum is insufficient, the pad may release from the workpiece.
- ▶ **Never perform drilling with the machine secured by the vacuum pad only, except when drilling downwards.** If the vacuum is lost, the pad will release from the workpiece.
- ▶ **When drilling through walls or ceilings, ensure to protect persons and the work area on the other side.** The bit may extend through the hole or the core may fall out on the other side.
- ▶ **When drilling overhead, always use the liquid collection device specified in the instructions. Do not allow water to flow into the tool.** Water entering the power tool will increase the risk of electric shock.

2.3 Additional safety instructions

Personal safety

- ▶ **Do not tamper with or attempt to make alterations to the machine.**
- ▶ **The machine is not intended for use by debilitated persons who have received no special training.**
- ▶ Keep the machine out of reach of children.
- ▶ **Do not touch rotating parts. Switch the machine on only after it is in position at the workpiece.** Touching rotating parts, especially rotating accessory tools, can result in injury.
- ▶ **Avoid skin contact with drilling slurry.**
- ▶ Dust from materials such as lead-based paint, certain types of wood and concrete/masonry/stone containing quartz, minerals or metal can be harmful to health. Contact with or inhalation of the dust can cause allergic reactions and/or respiratory or other diseases among operators or bystanders. Certain kinds of dust such as oakwood and beechwood dust are classified as carcinogenic, especially in conjunction with additives for wood conditioning (chromate, wood preservative). Only specialists are permitted to handle material containing asbestos. Use as effective a dust removal system as possible. To achieve a high level of dust collection, use a suitable vacuum extractor of the type recommended by Hilti for wood dust and/or mineral dust and which is designed for use with this power tool. Make sure that the workplace is well ventilated. It is advisable to wear a respirator appropriate for the type of dust generated. Comply with national regulations applicable to the materials you will be working with.
- ▶ The diamond core drilling machine and the diamond core bit are heavy. There is a risk of crushing parts of the body. **The user and persons in the vicinity must wear suitable protective goggles, a hard hat, ear defenders, protective gloves and protective footwear while the machine is in use.**

Power tool use and care

- ▶ **Make sure that the machine is correctly secured to the drill stand.**
- ▶ **Always make sure that an end stop is installed on the drill stand as otherwise the safety-relevant end-stop function is not implemented.**
- ▶ **Check that accessory tools are compatible with the machine's chuck/drive system and that they are installed and secured correctly.**

Electrical safety

- ▶ **Do not use extension cords with multiple power outlets powering two or more devices in operation at the same time.**
- ▶ **Operate the machine only when it is connected to an adequately rated power supply with a ground conductor.**
- ▶ **Before beginning work, check the working area (e.g. using a metal detector) to ensure that no concealed electric cables or gas and water pipes are present.** External metal parts of the machine can become live, for example if you inadvertently damage electric wiring. This constitutes a serious risk of electric shock.
- ▶ **Make sure that the supply cord cannot be damaged as the carriage advances.**
- ▶ **Never operate the machine without the accompanying PRCD (machines without PRCD: Never operate the machine without an isolating transformer). Test the PRCD each time before use.**
- ▶ **Check the machine's supply cord at regular intervals and have it replaced by a qualified specialist if found to be damaged. If the machine's supply cord is damaged it must be replaced with a specially prepared and approved supply cord available from Hilti Customer Service. Check extension cords at regular intervals and replace them if found to be damaged. Do not touch the supply cord or extension cord if it is damaged while working. Disconnect the supply cord plug from the power outlet. Damaged supply cords or extension cords present a risk of electric shock.**
- ▶ **Never operate the machine when it is dirty or wet.** Dust (especially dust from conductive materials) or dampness adhering to the surface of the machine may, under unfavorable conditions, lead to electric shock. Dirty or dusty machines should thus be checked by Hilti Service at regular intervals, especially if used frequently for working on conductive materials.



Workplace

- ▶ **Approval must be obtained from the site engineer or architect prior to beginning drilling work.** Drilling work on buildings and other structures may influence the static equilibrium of the structure, especially when steel reinforcing bars or load-bearing components are cut through.
- ▶ **If the drill stand has not been fastened correctly, always move the machine mounted on the drill stand all the way down in order to prevent the stand from falling over.**
- ▶ **Keep the supply cord, extension cord, water hose and vacuum hose away from rotating parts of the machine.**
- ▶ **Use of the water collection system in conjunction with a wet-type industrial vacuum extractor is a mandatory requirement for wet drilling overhead.**
- ▶ **Use of the vacuum securing method without an additional means of fastening is prohibited for drilling in an upward direction.**
- ▶ **An additional means of securing the drill stand must be employed when the machine is secured with the vacuum securing method (accessory) for horizontal drilling.**

3 Description

3.1 Intended use

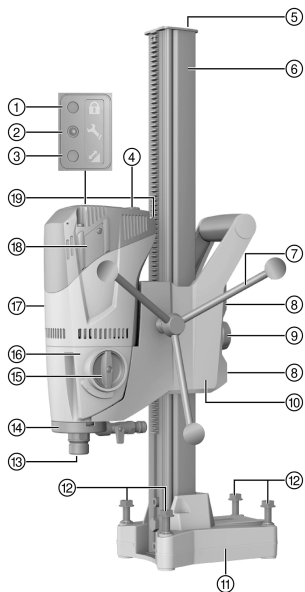
The product described is an electrically powered diamond core drilling machine. It is designed for drilling through-holes and blind holes in (reinforced) mineral base materials using a drill stand and the wet drilling technique. **Hand-held use of the diamond core drilling machine is not permitted.**

The product described is designed for professional use and only trained, authorized personnel are permitted to operate, service and maintain the product. This personnel must be specifically informed about the possible hazards. The product described and its ancillary equipment can present hazards if used incorrectly by untrained personnel or if used not in accordance with the intended use.

- ▶ Always use a drill stand when using the diamond core drilling machine. The drill stand must be sufficiently anchored in the base material by an anchor base plate or vacuum base plate.
- ▶ Do not use a hammer or other heavy object to adjustment the base plate.
- ▶ Operate the machine only when it is connected to a power supply providing a voltage and frequency in compliance with the information given on its type identification plate.
- ▶ Comply with national health and safety requirements.
- ▶ Comply with the safety rules and operating instructions for the accessories used.
- ▶ To reduce the risk of injury, use only genuine **Hilti** core bits and accessories.



3.2 Parts and operating controls 1



DD 120 diamond core drilling system

- ① Theft protection indicator (optional)
- ② Service indicator
- ③ Drilling performance indicator
- ④ On/off switch
- ⑤ End stop
- ⑥ Rail
- ⑦ Hand wheel
- ⑧ Adjusting screws for carriage play (4x)
- ⑨ Carriage lock
- ⑩ Carriage
- ⑪ Anchor base plate
- ⑫ Leveling screws (4x)
- ⑬ Chuck
- ⑭ Water swivel
- ⑮ Gear switch
- ⑯ Gearing section
- ⑰ Motor
- ⑱ Carbon-brush cover
- ⑲ Supply cord with PRCD

3.2.1 Vacuum base plate (accessory) 2

- ⑳ Clamping spindle
- ㉑ Vacuum hose connector
- ㉒ Pressure gauge
- ㉓ Vacuum relief valve
- ㉔ Vacuum seal

3.2.2 Fastening accessories 3

- ㉕ Clamping spindle
- ㉖ Anchor
- ㉗ Clamping spindle nut

3.2.3 Water collection system 4

- ㉘ Water collector holder
- ㉙ Water collector

3.3 Service indicator

The product is equipped with a service indicator LED.

3.4 Items supplied

Diamond core drilling machine, hand wheel, operating instructions.

The drill stand is supplied as a separate unit. Other system products approved for use with this product can be found at your local **Hilti Store** or at: www.hilti.group.

3.5 Using a generator or transformer

This machine can be powered by a generator or transformer when the following conditions are fulfilled: The generator or transformer's power output must be at least twice the rated input power shown on the machine's type identification plate, the operating voltage of the transformer or generator must always be within +5 % and -15 % of the machine's rated voltage and the frequency must be 50 to 60 Hz and never above 65 Hz and the transformer or generator must have automatic voltage regulation with starting boost.



2215140

English

7

Switching other power tools, machines or appliances on and off can cause undervoltage and/or overvoltage peaks, resulting in damage to the machine.

4 Technical data

4.1 Technical data

Weight (600 mm rail) in accordance with EPTA procedure 01	21.6 lb (9.8 kg)
Max. permissible water supply pressure	90 psi (6 bar)
Rated speed under no load, 1st gear	740 /min
Rated speed under no load, 2nd gear	1,580 /min
Dimensions of drill stand, short rail (L x W x H)	13.0 in x 5.8 in x 23.6 in (330 mm x 147 mm x 600 mm)
Dimensions of drill stand, medium-length rail (L x W x H)	13.0 in x 5.8 in x 28.3 in (330 mm x 147 mm x 720 mm)
Dimensions of drill stand, long rail (L x W x H)	13.0 in x 5.8 in x 32.7 in (330 mm x 147 mm x 830 mm)
Protection class	Protection class I (earthed)

4.2 Gears and corresponding core bit diameters

* Your machine's core bit diameter is stated on the type identification plate.
Second gear can be used to achieve faster progress when drilling holes up to \varnothing 82 mm (3 1/2 in) in lightly reinforced concrete.

Gear	Core bit diameter	Idling speed
1	57 ... 132 (*162) mm	740 /min
2	16 ... 52 mm	1,580 /min

5 Preparations at the workplace

WARNING

Risk of injury! The drill stand can rotate or topple if not securely fastened.

- ▶ Before using the diamond core drilling machine, secure the drill stand to the work surface with anchors or with a vacuum base plate.
- ▶ Use only anchors suitable for the base material and comply with the anchor manufacturer's instructions.
- ▶ Use a vacuum base plate only when the work surface is suitable for securing the drill stand by the vacuum method.

5.1 Install the hand wheel on the diamond core drilling machine

1. Remove the retaining pin and fit the hand wheel on to the shaft.
2. Secure the hand wheel by inserting the retaining pin.

The hand wheel can be installed on either side of the carriage.

5.2 Securing the diamond core drilling machine to the drill stand

CAUTION

Risk of injury Hazard presented by inadvertent starting of the diamond core drilling machine.

- ▶ The diamond core drilling machine should not be connected to the power supply during set-up.



1. Use the hex key to slacken the screw on the inside.
2. Remove the end stop from the rail.
3. Open the carriage lock by turning the knob all the way in the opening direction.
4. Using the opening provided for the purpose, set the diamond core drilling machine on the rail.
5. Use the hand wheel to advance the diamond core drilling machine fully on to the rail.
6. Lock the diamond core drilling machine by fully tightening the carriage lock.
7. Check that the diamond core drilling machine is locked by lightly turning the hand wheel.
8. Install the end stop on the rail and check that it is secure.

Check carriage play; adjust if necessary. → page 14

5.3 Securing the drill stand with an anchor

WARNING

Risk of injury due to use of wrong anchors! The machine can break loose and cause damage.

- ▶ Use anchors suitable for the material on which you are working and observe the anchor manufacturer's instructions.

Hilti metal expansion anchors M12 are usually suitable for use as anchors for diamond core drilling equipment in uncracked concrete. Under certain conditions, however, it may be necessary to use an alternative fastening method. Contact **Hilti** Technical Service if you have questions about secure fastening.

1. Set an anchor suitable for the base material at a distance of 203 mm (8 in) from where the center point of the drillhole will be.
2. Screw the clamping spindle into the anchor.
3. Back off all leveling screws until the base plate is flush with the surface.
4. Slip the drill stand over the clamping spindle and align the drill stand.
5. Screw the clamping spindle nut on to the clamping spindle but do not tighten it.
6. Level the base plate by turning the 4 leveling screws.

All leveling screws must be seated firmly on the surface.

7. Secure the drill stand by tightening the clamping spindle nut with a 19 mm open-ended wrench.(SW 19)
8. Check that the drill stand is secure.

5.4 Fastening the drill stand with the vacuum base plate (accessory)

DANGER

Risk of injury if the diamond core drilling machine falls !

- ▶ Fastening the drill stand to the ceiling only by means of the vacuum securing method is not permissible. A heavy structural support or a threaded spindle, for example, can serve as an additional means of fastening.

WARNING

Risk of injury if pressure is not checked !

- ▶ Before and during drilling, check that the pressure gage pointer remains in the green zone.

Make sure that the core bit selected for use will not damage the vacuum base plate. Before positioning the drill stand, check that you have sufficient space for assembly and operation. Use the vacuum fastening method only together with core bits ≤ 300 mm (≤ 12 in) in diameter and when no spacer is fitted.

1. From the center point of the hole to be drilled, draw an orientation line approx. 800 mm (31.5 in) toward and past where the diamond core drilling machine will be positioned.



2. Draw a positioning line intersecting the orientation line at right angles 203 mm (8 in) from the center point of the hole to be drilled.
3. Back off all leveling screws until the anchor base plate is flush with the surface.
4. Slip the drill stand over the spindle and on to the vacuum base plate.
 - ↳ The anchor base plate is seated flush with the end stops of the vacuum base plate.
5. Secure the drill stand by tightening the clamping spindle nut with a 19 mm open-ended wrench.SW 19
6. Connect the vacuum connector on the vacuum base plate to the vacuum pump.
7. Switch on the vacuum pump and press the vacuum base plate against the surface.
8. To align the diamond core drilling machine, press and hold down the vacuum relief valve.



Use the mark on the anchor base plate and the positioning line for alignment.

9. Release the vacuum relief valve and press the vacuum base plate against the surface.
10. Check that the drill stand is secure.
11. Level the diamond core drilling machine, if necessary, by turning the 4 leveling screws.

5.5 Fitting the water connection (accessory)



ATTENTION

Hazard due to incorrect use! Incorrect use can result in irreparable damage to the hose.

- ▶ Regularly check the hoses for damage and make sure that the maximum permissible water supply pressure of 6 bar is not exceeded.
- ▶ Make sure that the hose does not come into contact with rotating parts.
- ▶ Make sure that the hose is not damaged as the carriage advances.
- ▶ Maximum water temperature: 40 °C.
- ▶ Check the water supply system to ensure there are no leaks.



To avoid damage to the components, use only fresh water containing no dirt particles.
A flow meter can be inserted as an accessory between the machine and the water supply.

1. Connect the water flow regulator to the diamond core drilling machine.
2. Connect the water supply (hose connection).

5.6 installing the water collection system (accessory)



WARNING

Danger of electric shock! There is a possibility of water flowing over the motor and cover if the vacuum removal system is faulty.

- ▶ Cease operations immediately if the vacuum removal system is not working.



CAUTION

Risk of injury! Inadvertent starting of the product.

- ▶ Unplug the supply cord before making adjustments to the power tool or before changing accessories.



For drilling upward, the diamond core drilling machine must be at a 90° angle to the underside of the slab. The water collection system sealing disc must match the diamond core bit diameter.

Use of the water collection system allows water to be led away under control, thus preventing the surrounding area from being heavily soiled.

1. Remove the screw from the drill stand.
2. Install the water collector holder on the drill stand with the screw.
3. Position the water collector, with seal and water collector sealing disc installed, between the two movable arms of the water collector holder.
4. Press the water collector against the work surface by turning the two screws on the water collector holder.



- Connect a wet-type industrial vacuum extractor to the water collector or establish a hose connection through which the water can drain away.

5.7 Inserting a diamond core bit (BI+ chuck)

DANGER

Risk of injury Fragments of the workpiece or of broken insert tools may be ejected and cause injury beyond the immediate area of operation.

- Do not use damaged insert tools. Check the insert tools for chipping, cracks, or heavy wear each time before use.

CAUTION

Risk of injury! Inadvertent starting of the product.

- Unplug the supply cord before making adjustments to the power tool or before changing accessories.



Replace diamond core bits as soon as their cutting performance and/or rate of drilling progress drops significantly. This generally is the case when the diamond segments wear to a height of less than 2 mm (1/16 in).

A 27 mm open-ended wrench is required for C-Rod, A-Rod, M27 and BR chucks. SW 27

- Lock the diamond core drilling machine by fully tightening the carriage lock.
- Open the chuck (BI+) by turning it in the direction indicated by the "open brackets" symbol.
- From below, push the connection end of the diamond core bit into the splines of the chuck on the diamond core drilling machine.
- Close the chuck by turning it in the direction indicated by the "closed brackets" symbol.
- Check that the diamond core bit is seated securely in the chuck.

5.8 Selecting the speed

CAUTION

Risk of wear and tear Risk of damage to the gearing

- Do not attempt to change gear while the machine is running. Wait until the arbor comes to a complete stop.

- Set the selector switch to suit the diameter of the core bit used.
- Turn the switch to the recommended setting while turning the core bit by hand at the same time.

5.9 Removing the diamond core bit (BI+ chuck)

DANGER

Risk of injury Fragments of the workpiece or of broken insert tools may be ejected and cause injury beyond the immediate area of operation.

- Do not use damaged insert tools. Check the insert tools for chipping, cracks, or heavy wear each time before use.

CAUTION

Risk of injury! Inadvertent starting of the product.

- Unplug the supply cord before making adjustments to the power tool or before changing accessories.



C-Rod, A-Rod, M27 SW 27 or BR chucks require the use of a 27 mm open-ended wrench to lock the arbor and a suitable open-ended wrench for removing the core bit.

- Lock the diamond core drilling machine by fully tightening the carriage lock.
- Open the chuck (BI+) by turning it in the direction of the open brackets symbol.
- Pull the sleeve toward the machine, as indicated by the arrow, to unlock the core bit.
- Remove the core bit from the chuck (BI+).



6 Operation

6.1 TPS theft protection system (optional)

The product can be equipped with the optional TPS theft protection system. It can then be unlocked and made ready for operation only through use of the corresponding TPS key.

6.2 Enabling a machine equipped with theft protection system (TPS)

1. Plug the supply cord of the diamond core drilling machine into the power outlet.
2. Press the "Reset" or "I" button on the PRCD.
 - ↳ The yellow theft protection indicator LED flashes.
3. Hold the TPS key directly against the lock symbol.
 - ↳ The yellow theft protection indicator LED goes out and the machine is enabled.



If the power supply is interrupted, the product remains ready for operation for approximately 20 minutes. If the interruption is longer, the theft protection system has to be deactivated again with the TPS key.

6.3 Portable residual current device (PRCD)

1. Plug the diamond core drilling machine's mains plug into an earthed/grounded power outlet.
2. Press the "I" or "RESET" button on the PRCD.
 - ↳ The indicator lights up.
3. Press the "0" or "TEST" button on the PRCD.
 - ↳ The indicator goes out.



WARNING

Risk of injury due to electric shock! Do not continue operating the diamond core drilling machine if the indicator on the ground fault circuit interrupter does not go out when the **0** or the **TEST** button is pressed.

- ▶ Have your diamond core drilling machine repaired by **Hilti Service**.

4. Press the "I" or "RESET" button on the PRCD.
 - ↳ The indicator lights up.

6.4 Operating diamond core drilling machine without a wet-type industrial vacuum extractor

1. Slowly open the water flow regulator until the water flows at the desired rate.



The diamond core drilling machine can be operated with or without water collection system. With the water collection system, the cooling water is drained away through a hose, without the water collection system the water runs off in an uncontrolled manner. For operation with water collection system, first install the water collection system → page 10.
In both applications, upward drilling is not allowed.

2. Push the ON/OFF switch to the "I" position.
3. Release the carriage lock.
4. Turn the hand wheel until the diamond core bit is in contact with the work surface.
5. When you start drilling apply only light pressure until the core bit has centered itself and only then, increase the pressure against the working surface.
6. Observe the drilling performance indicator.



Initially, the drilling performance indicator shows orange. Optimum drilling performance is achieved when the drilling performance indicator shows green. Reduce the pressure against the work surface if the drilling performance indicator shows red.

6.5 Operating diamond core drilling machine with a wet-type industrial vacuum extractor



WARNING

Danger of electric shock! There is a possibility of water flowing over the motor and cover if the vacuum removal system is faulty.

- ▶ Cease operations immediately if the vacuum removal system is not working.



1. Install the water collection system → page 10 and connect the wet-type industrial vacuum extractor.
2. Switch on the wet-type industrial vacuum extractor; do not use automatic mode.
3. Slowly open the water flow regulator until the water flows at the desired rate.
4. Push the ON/OFF switch to the "I" position.
5. Release the carriage lock.
6. Turn the hand wheel until the diamond core bit is in contact with the work surface.
7. When you start drilling apply only light pressure until the core bit has centered itself and only then, increase the pressure against the working surface.
8. Observe the drilling performance indicator.



Initially, the drilling performance indicator shows orange. Optimum drilling performance is achieved when the drilling performance indicator shows green. Reduce the pressure against the work surface if the drilling performance indicator shows red.

6.6 Procedure in the event of the core bit jamming

If the bit jams the safety clutch disengages. The electronic control system then switches the motor off and subsequently on again; this is done twice without manual intervention by the user. If this does not free the core bit, the electronic control system switches the motor off for 90 seconds. You can free a jammed bit manually, as follows:

6.6.1 Using an open-end wrench to free the core bit

1. Unplug the supply cord from the power outlet.
2. Grip the diamond core bit with a suitable open-end wrench close to the connection end and turn the diamond core bit to free it.
3. Plug the supply cord into the power outlet.
4. Resume the drilling operation.

6.6.2 Using the hand wheel to free the core bit

1. Unplug the supply cord from the power outlet.
2. Free the core bit from the base material by turning the hand wheel.
3. Plug the supply cord into the power outlet.
4. Resume the drilling operation.

6.7 Switching off the diamond core drilling machine



WARNING

Risk of personal injury and material damage The diamond core bit fills with water during overhead drilling. The diamond core drilling machine may become damaged and the risk of electric shock is increased.

- ▶ As a first step, carefully allow the water to drain away after completing overhead drilling. This is done by disconnecting the water supply from the water flow regulator and draining the water by opening the water flow regulator. Do not allow the water to run over the motor and cover.

1. Connect the water flow regulator to the diamond core drilling machine.
2. Remove the diamond core bit from the hole.
3. Lock the diamond core drilling machine with the carriage lock.
4. Switch off the diamond core drilling machine.
5. Switch off the wet-type industrial vacuum extractor, if used.

6.8 Removal of the diamond core drilling machine

1. Unplug the supply cord from the power outlet.
2. See the section headed "Removing the diamond core bit" → page 11 for instructions on removing the diamond core bit.
3. Remove the core, if necessary.
4. Remove the diamond core drilling machine from the working surface.



If you remove the system as a complete unit, after setting it down it is advisable to run the machine all the way down the rail until the core bit is in contact with the floor. This will help prevent the diamond core drilling machine from toppling over.



7 Care and maintenance

7.1 Care and maintenance

WARNING

Electric shock hazard! Attempting care and maintenance with the supply cord connected to a power outlet can lead to severe injury and burns.

- ▶ Always unplug the supply cord before carrying out care and maintenance tasks.

Care

- Carefully remove any dirt that may be adhering to parts.
- Clean the air vents carefully with a dry brush.
- Use only a slightly damp cloth to clean the casing. Do not use cleaning agents containing silicone as these may attack the plastic parts.

Maintenance

WARNING

Danger of electric shock! Improper repairs to electrical components may lead to serious injuries including burns.

- ▶ Repairs to the electrical section of the tool or appliance may be carried out only by trained electrical specialists.
- Check all visible parts and controls for signs of damage at regular intervals and make sure that they all function correctly.
- Do not operate the product if signs of damage are found or if parts malfunction. Have it repaired immediately by **Hilti Service**.
- After cleaning and maintenance, fit all guards or protective devices and check that they function correctly.



To help ensure safe and reliable operation, use only genuine Hilti spare parts and consumables. Spare parts, consumables and accessories approved by Hilti for use with the product can be found at your local **Hilti Store** or online at: www.hilti.group.

7.2 Adjusting the play between the rail and carriage

1. Tighten the carriage play adjusting screws with a hex key.

Technical data	
Tightening torque	5 Nm

2. Slacken the adjusting screws slightly by turning back a 1/4 turn.
3. The carriage is correctly adjusted when it remains in position without a diamond core bit but moves down when a diamond core bit is fitted.

7.3 Replacing the carbon brushes

WARNING

Risk of injury due to electric shock !

- ▶ The machine may be operated, serviced and repaired only by trained, authorized personnel. This personnel must be specially informed of any possible hazards.

WARNING

Electric shock hazard! Attempting care and maintenance with the supply cord connected to a power outlet can lead to severe injury and burns.

- ▶ Always unplug the supply cord before carrying out care and maintenance tasks.

1. Open the carbon brush covers on the left-hand and right-hand sides of the motor.
2. **Take note of how the carbon brushes are fitted and how the conductors are positioned.** Remove the worn carbon brushes from the diamond core drilling machine.



3. Fit the new carbon brushes, positioning them exactly the same as the old ones fitted previously.



Take care to avoid damaging the insulation on the indicator lead as you insert the brushes.

4. Screw on the carbon brush covers on the left- and right-hand side of the motor.
5. Run in the carbon brushes by letting the machine run under no load for at least one minute without interruption.
 - ↳ The indicator lamp goes out after approx. 1 minute's operation.

8 Transport and storage

Transport

- ▶ Do not transport this product with an accessory tool installed.
- ▶ Make sure that the equipment is held securely throughout all transport operations.
- ▶ After transporting, always check all visible parts and controls for signs of damage and make sure that they all function correctly.

Storage

- ▶ Always store this product with the electric supply cable unplugged from the electricity supply.
- ▶ Store this product in a dry place, where it cannot be accessed by children or unauthorized persons.
- ▶ After a long period of storage, always check all visible parts and controls for signs of damage and make sure that they all function correctly.

8.1 Transport of the diamond core drilling machine



WARNING


Risk of injury! Parts can work loose and drop off.

- ▶ Do not lift the diamond core drilling machine and/or the drill stand by crane.
- ▶ Transport the diamond core drilling machine, drill stand and core bit as separate units.
 - ↳ Use the wheel assembly (accessory) as an aid when transporting the equipment.
- ▶ Open the water flow regulator before stowing away the diamond core drilling machine.





9 Troubleshooting

- ▶ If the trouble you are experiencing is not listed in this table or you are unable to remedy the problem by yourself, please contact **Hilti Service**.


9.1 The diamond core drilling machine is not in working order

Malfunction	Possible cause	Action to be taken
 The service indicator shows nothing.	The PRCD isn't switched on.	▶ Check that the PRCD is functioning and switch it on.
	Interruption in the electric supply.	▶ Plug in another electric tool or appliance and check whether it works. ▶ Check the plug connections, supply cord, power supply line and main supply fuse.
	The on / off switch is defective.	▶ Have the machine repaired by Hilti Service.
	Fault in the electronics.	▶ Have the machine repaired by Hilti Service.
	Water in the motor.	▶ Allow the diamond core drilling machine to dry out completely in a warm, dry place.



Malfuction	Possible cause	Action to be taken
 Service indicator lights.	The carbon brushes are worn out.	<ul style="list-style-type: none"> ▶ Replace the carbon brushes. → page 14
 Service indicator flashes.	Motor speed error.	<ul style="list-style-type: none"> ▶ Have the machine repaired by Hilti Service.
 The drilling performance indicator flashes red.	The motor has overheated.	<ul style="list-style-type: none"> ▶ Wait a few minutes until the motor has cooled down or allow the diamond core drilling machine to run under no load in order to speed up the cooling process. Switch the diamond core drilling machine off and then on again.
	Overload error.	<ul style="list-style-type: none"> ▶ Switch the diamond core drilling machine off and then on again.
 Theft protection indicator blinks.	The diamond core drilling machine has not been unlocked (machines with optional theft protection system).	<ul style="list-style-type: none"> ▶ Use the TPS key to unlock the diamond core drilling machine.

9.2 The diamond core drilling machine is in working order

Malfuction	Possible cause	Action to be taken
 Service indicator lights.	The carbon brush wear limit has almost been reached. The diamond core drilling machine will continue to run for a few hours until it shuts down automatically.	<ul style="list-style-type: none"> ▶ Have the carbon brushes replaced at the next opportunity.
The diamond core drilling machine doesn't achieve full performance.	Supply network fault – undervoltage occurred.	<ul style="list-style-type: none"> ▶ Check whether other power consumers are disrupting the power supply from the network or generator. ▶ Check the length of the extension cord used.
The diamond core bit doesn't rotate.	The gear selector isn't engaged.	<ul style="list-style-type: none"> ▶ Operate the gear selector until it engages.
	The diamond core bit has become jammed in the base material.	<ul style="list-style-type: none"> ▶ Use an open-end wrench to release the diamond core bit: Disconnect the supply cord plug from the power outlet. Grip the diamond core bit with a suitable open-end wrench close to the connection end and release the diamond core bit by rotating it. Stand-guided drilling <ul style="list-style-type: none"> ▶ Turn the handwheel and try to release the diamond core bit by moving the carriage up and down.
	The gearing is defective.	<ul style="list-style-type: none"> ▶ Have the machine repaired by Hilti Service.



Malfunction	Possible cause	Action to be taken
The drilling speed is decreasing.	Maximum drilling depth has been reached.	▶ Remove the core and use a core bit extension.
	The core is stuck in the diamond core bit.	▶ Remove the core.
	Wrong core bit specification for the base material.	▶ Select a more suitable diamond core bit specification.
	High steel content (indicated by clear water containing metal cuttings).	▶ Select a more suitable diamond core bit specification.
	The diamond core bit is defective.	▶ Check the diamond core bit for damage and replace it if necessary.
	Wrong gear selected.	▶ Select the right gear.
	Contact pressure is too low.	▶ Increase the contact pressure.
	The machine has too little power.	▶ Select the next lower gear.
	The diamond core bit is polished.	▶ Sharpen the diamond core bit by drilling into a sharpening plate.
	The water flow rate is too high.	▶ Reduce the water flow rate by adjusting the water flow regulator.
	The water flow rate is too low.	▶ Check the water supply to the diamond core bit or, respectively, increase the water flow by adjusting the water flow regulator.
The brake has been applied.	▶ Release the brake.	
Safety clutch disengages too soon or is slipping.	▶ Have the machine repaired by Hilti Service.	
The handwheel can be turned without resistance.	The split pin is broken.	▶ Replace the split pin.
The diamond core bit can't be fitted into the chuck.	The core bit connection end or chuck is dirty or damaged.	▶ Clean and grease the connection end and/or the chuck or replace these parts.
Water escapes at the water swivel or gear housing.	The water pressure is too high.	▶ Reduce the water pressure.
Water escapes from the chuck during operation.	The diamond core bit isn't securely tightened in the chuck.	▶ Tighten the diamond core bit securely. ▶ Remove the core bit. Rotate the diamond core bit approx. 90° about its own axis. Refit the diamond core bit.
	The core bit connection end / chuck is dirty.	▶ Clean and grease the connection end and/or the chuck.
	The seal at the chuck or at the connection end is defective.	▶ Check the seal and replace it if necessary.
The drilling system has too much play.	The diamond core bit isn't securely tightened in the chuck.	▶ Tighten the diamond core bit securely. ▶ Remove the core bit. Rotate the diamond core bit approx. 90° about its own axis. Refit the diamond core bit.
	The core bit connection end / chuck is defective.	▶ Check the connection end and chuck and replace them if necessary.



Malfunction	Possible cause	Action to be taken
The drilling system has too much play.	The carriage has too much play.	▶ Adjust the play between the rail and carriage. → page 14
	Screws / bolts on the drill stand are loose.	▶ Check the security of screws / bolts on the drill stand and tighten them if necessary.
	The drill stand is inadequately fastened.	▶ Fasten the drill stand more securely.

10 Disposal

Most of the materials from which **Hilti** tools and appliances are manufactured can be recycled. The materials must be correctly separated before they can be recycled. In many countries, your old tools, machines or appliances can be returned to **Hilti** for recycling. Ask **Hilti** Service or your Hilti representative for further information.



- ▶ Do not dispose of power tools, electronic equipment or batteries as household waste!

11 Manufacturer's warranty

- ▶ Please contact your local **Hilti** representative if you have questions about the warranty conditions.



1 Indications relatives à la documentation

1.1 À propos de cette documentation

- Lire intégralement la présente documentation avant la mise en service. C'est la condition préalablement requise pour assurer la sécurité du travail et un maniement sans perturbations.
- Bien respecter les consignes de sécurité et les avertissements de la présente documentation ainsi que celles figurant sur le produit.
- Toujours conserver le mode d'emploi à proximité du produit et uniquement le transmettre à des tiers avec ce mode d'emploi.

1.2 Explication des symboles

1.2.1 Avertissements

Les avertissements attirent l'attention sur des dangers liés à l'utilisation du produit. Les termes de signalisation suivants sont utilisés :

DANGER

DANGER !

- ▶ Pour un danger imminent qui peut entraîner de graves blessures corporelles ou la mort.

AVERTISSEMENT

AVERTISSEMENT !

- ▶ Pour un danger potentiel qui peut entraîner de graves blessures corporelles ou la mort.

ATTENTION

ATTENTION !

- ▶ Pour attirer l'attention sur une situation pouvant présenter des dangers entraînant des blessures corporelles légères ou des dégâts matériels.

1.2.2 Symboles dans la documentation

Les symboles suivants sont utilisés dans la présente documentation :

	Lire le mode d'emploi avant d'utiliser l'appareil
	Pour des conseils d'utilisation et autres informations utiles
	Maniement des matériaux recyclables
	Ne pas jeter les appareils électriques et les accus dans les ordures ménagères

1.2.3 Symboles dans les illustrations

Les symboles suivants sont utilisés dans les illustrations :

	Ces chiffres renvoient à l'illustration correspondante au début du présent mode d'emploi
	La numérotation détermine la séquence des étapes de travail dans l'image et peut se différencier de celles des étapes de travail dans le texte
	Les numéros de position sont utilisés dans l'illustration Vue d'ensemble et renvoient aux numéros des légendes dans la section Vue d'ensemble du produit
	Ce signe doit inviter à manier le produit en faisant particulièrement attention.

1.3 Symboles spécifiques au produit

1.3.1 Symboles d'obligation

Les symboles d'obligation suivants sont utilisés :



	Porter des lunettes de protection
	Porter un casque de protection
	Porter un casque antibruit
	Porter des gants de protection
	Porter des chaussures de protection
	Porter un masque respiratoire léger

1.3.2 Symboles sur le produit

Les symboles suivants peuvent être utilisés sur le produit :

	Indicateur de protection contre le vol
	Indicateur de maintenance
	Indicateur de puissance de forage
	Mise à la terre de protection
n_0	Vitesse nominale à vide
	Transmission de données sans fil

1.4 Plaques indicatrices

Sur colonne de forage, semelle ou carotteuse diamant

	<p>Semelle-ventouse</p> <p>Moitié d'image supérieure : Pour des forages horizontaux avec fixation par ventouses, la colonne de forage ne doit pas être utilisée sans dispositif de sécurité supplémentaire.</p> <p>Moitié d'image inférieure : Les forages sous plafond avec la fixation par ventouses ne doivent pas être effectués sans dispositif de sécurité supplémentaire.</p>
	<p>Sur la carotteuse diamant</p> <p>Pour des travaux sous plafond, le système de récupération d'eau doit impérativement être utilisé avec un aspirateur de liquides.</p>
	<p>Sur la carotteuse diamant</p> <p>Travailler uniquement avec un disjoncteur PRCD en état de fonctionner.</p>



1.5 Informations produit

Les produits sont destinés aux professionnels et ne doivent être utilisés, entretenus et réparés que par un personnel autorisé et formé. Ce personnel doit être spécialement instruit quant aux dangers inhérents à l'utilisation de l'appareil. Le produit et ses accessoires peuvent s'avérer dangereux s'ils sont utilisés de manière incorrecte par un personnel non qualifié ou de manière non conforme à l'usage prévu.

La désignation du modèle et le numéro de série figurent sur sa plaque signalétique.

- ▶ Inscrivez le numéro de série dans le tableau suivant. Les informations produit vous seront demandées lorsque vous contactez nos revendeurs ou services après-vente.

Caractéristiques produit

Carotteuse diamant	DD 120
Génération	01
N° de série	

1.6 Déclaration de conformité

Nous déclarons sous notre seule et unique responsabilité que le produit décrit ici est conforme aux directives et normes en vigueur. Une copie de l'attestation délivrée par l'organisme de certification se trouve en fin de la présente documentation.

Pour obtenir les documentations techniques, s'adresser à :

Hilti Entwicklungsgesellschaft mbH | Zulassung Geräte | Hiltistraße 6 | 86916 Kaufering, DE

2 Sécurité

2.1 Indications générales de sécurité pour les appareils électriques

⚠ AVERTISSEMENT Lire toutes les consignes de sécurité et instructions, illustrations et caractéristiques techniques, qui accompagnent cet outil électroportatif. Tout manquement à l'observation des instructions suivantes risque de provoquer une électrocution, un incendie et/ou de graves blessures.

Les consignes de sécurité et instructions doivent être intégralement conservées pour les utilisations futures.

La notion d'« outil électroportatif » mentionnée dans les consignes de sécurité se rapporte à des outils électriques raccordés au secteur (avec câble d'alimentation) et à des outils électriques sur accu (sans câble d'alimentation).

Sécurité sur le lieu de travail

- ▶ **Conserver la zone de travail propre et bien éclairée.** Un lieu de travail en désordre ou mal éclairé augmente le risque d'accidents.
- ▶ **Ne pas faire fonctionner les outils électriques en atmosphère explosive et où se trouvent des liquides, des gaz ou poussières inflammables.** Les outils électriques produisent des étincelles qui peuvent enflammer les poussières ou les fumées.
- ▶ **Maintenir les enfants et les personnes présentes à l'écart pendant l'utilisation de l'outil électroportatif.** En cas d'inattention il y a un risque de perdre le contrôle de l'appareil.

Sécurité relative au système électrique

- ▶ **La fiche de secteur de l'outil électroportatif doit être adaptée à la prise de courant. Ne jamais modifier la fiche de quelque façon que ce soit. Ne pas utiliser d'adaptateurs avec des outils électriques à branchement de terre.** Des fiches non modifiées et des prises de courant adaptées réduiront le risque de choc électrique.
- ▶ **Éviter le contact physique avec des surfaces mises à la terre tels que tuyaux, radiateurs, cuisinières et réfrigérateurs.** Il y a un risque élevé de choc électrique au cas où votre corps serait relié à la terre.
- ▶ **Ne pas exposer les outils électroportatifs à la pluie ou à l'humidité.** La pénétration d'eau à l'intérieur d'un outil électroportatif augmentera le risque d'un choc électrique.
- ▶ **Ne jamais utiliser le câble de raccordement à d'autres fins que celles prévues, telles que pour porter, accrocher ou débrancher l'outil électroportatif de la prise de courant. Maintenir le câble de raccordement à l'écart de la chaleur, des parties grasses, des bords tranchants ou des parties en mouvement.** Des câbles de raccordement endommagés ou emmêlés augmentent le risque de choc électrique.
- ▶ **Si l'outil électroportatif est utilisé à l'extérieur, utiliser uniquement des câbles de rallonge homologués pour les applications extérieures.** L'utilisation d'un câble de rallonge homologué pour les applications extérieures réduit le risque d'un choc électrique.



- ▶ **Si l'utilisation de l'outil électrique dans un environnement humide ne peut pas être évitée, utiliser un interrupteur de protection contre les courants de court-circuit.** L'utilisation d'un tel interrupteur de protection réduit le risque d'une décharge électrique.

Sécurité des personnes

- ▶ **Rester vigilant, surveiller ce que l'on fait. Faire preuve de bon sens en utilisant l'outil électroportatif. Ne pas utiliser l'outil électroportatif en étant fatigué ou sous l'emprise de l'alcool, de drogues ou de médicaments.** Un moment d'inattention lors de l'utilisation de l'outil électroportatif peut entraîner des blessures graves.
- ▶ **Utiliser un équipement de protection personnel et toujours porter une protection pour les yeux.** Les équipements de protection personnels tels que masque antipoussière, chaussures de sécurité antidérapantes, casque de protection ou protection acoustique suivant l'utilisation de l'outil électroportatif, réduiront le risque de blessures des personnes.
- ▶ **Éviter une mise en service par mégarde. S'assurer que l'outil électroportatif est arrêté avant de le brancher à la source de courant et/ou à l'accu, de le prendre ou de le porter.** Le fait de porter l'outil électroportatif avec le doigt sur l'interrupteur ou de brancher l'appareil sur la source de courant lorsque l'interrupteur est en position de fonctionnement peut entraîner des accidents.
- ▶ **Retirer tout outil de réglage ou toute clé avant de mettre l'outil électroportatif en fonctionnement.** Une clé ou un outil se trouvant sur une partie en rotation peut causer des blessures.
- ▶ **Adopter une bonne posture. Veiller à toujours garder une position stable et équilibrée.** Cela permet un meilleur contrôle de l'outil électroportatif dans des situations inattendues.
- ▶ **S'habiller de manière adaptée. Ne pas porter de vêtements amples ni de bijoux. Garder les cheveux, les vêtements et les gants à distance des parties en mouvement.** Des vêtements amples, des bijoux ou des cheveux longs peuvent être happés par des parties en mouvement.
- ▶ **Si des dispositifs servant à aspirer ou à recueillir les poussières doivent être utilisés, s'assurer qu'ils sont effectivement raccordés et correctement utilisés.** L'utilisation d'un dispositif d'aspiration de la poussière peut réduire les risques dus aux poussières.
- ▶ **Ne pas sous-estimer les mesures de sécurité à prendre et ne pas ignorer sciemment les règles de sécurité applicables aux outils électriques, même si l'on est utilisateur chevronné après de fréquentes utilisations de l'outil électroportatif.** Un manque d'attention peut conduire à de graves blessures en quelques fractions de seconde.

Utilisation et manie ment de l'outil électroportatif

- ▶ **Ne pas forcer l'appareil. Utiliser l'outil électroportatif adapté au travail à effectuer.** Un outil électroportatif approprié réalisera mieux le travail et de manière plus sûre au régime pour lequel il a été conçu.
- ▶ **Ne pas utiliser d'outil électroportatif dont l'interrupteur est défectueux.** Tout outil électroportatif qui ne peut plus être mis en ou hors fonctionnement est dangereux et doit être réparé.
- ▶ **Débrancher la fiche de la prise de courant et/ou l'accu amovible avant d'effectuer des réglages sur l'appareil, de changer les accessoires, ou de ranger l'appareil.** Cette mesure de précaution empêche une mise en fonctionnement par mégarde de l'outil électroportatif.
- ▶ **Conserver les outils électroportatifs non utilisés hors de portée des enfants. Ne permettre l'utilisation de l'appareil à aucune personne qui ne soit pas familiarisée avec celui-ci ou qui n'a pas lu ces instructions.** Les outils électroportatifs sont dangereux lorsqu'ils sont entre les mains de personnes non initiées.
- ▶ **Prendre soin des outils électroportatifs et des accessoires. Vérifier que les parties en mouvement fonctionnent correctement et qu'elles ne sont pas coincées, et contrôler si des parties sont cassées ou endommagées de sorte que le bon fonctionnement de l'outil électroportatif s'en trouve entravé. Faire réparer les parties endommagées avant d'utiliser l'appareil.** De nombreux accidents sont dus à des outils électroportatifs mal entretenus.
- ▶ **Garder les outils de coupe affûtés et propres.** Des outils destinés à couper correctement entretenus avec des arêtes de coupe tranchantes sont moins susceptibles de bloquer et sont plus faciles à contrôler.
- ▶ **L'outil électroportatif, les accessoires, les outils amovibles, etc. doivent être utilisés conformément à ces instructions. Tenir également compte des conditions de travail et du travail à réaliser.** L'utilisation des outils électroportatifs à d'autres fins que celles prévues peut entraîner des situations dangereuses.
- ▶ **Veiller à ce que les poignées et surfaces de préhension soient toujours être sèches, propres et exemptes de traces de graisse ou d'huile.** Avec des poignées et surfaces de préhension glissantes, la sécurité et le contrôle de l'outil électroportatif ne peuvent être assurés dans des situations inopinées.

Service

- ▶ **L'outil électroportatif doit uniquement être réparé par un personnel qualifié, utilisant exclusivement des pièces de rechange d'origine.** Ceci permet d'assurer la sécurité de l'outil électroportatif.



2.2 Consignes de sécurité pour carotteuses diamant

- ▶ **Lors de la réalisation de travaux de forage qui nécessitent l'utilisation d'eau, diriger l'eau loin de l'espace de travail ou utiliser un dispositif de récupération de liquides.** De telles mesures de sécurité permettent de garder l'espace de travail au sec et réduisent le risque de choc électrique.
- ▶ **Tenir l'outil électroportatif par les surfaces isolées des poignées lors des travaux pendant lesquels l'outil de coupe risque de toucher des câbles électriques cachés ou son propre câble d'alimentation réseau.** Le contact d'un outil de coupe avec un câble conducteur sous tension risque également de mettre sous tension les parties métalliques de l'outil électroportatif et de provoquer un choc électrique.
- ▶ **Lors des travaux de forage au diamant, porter un casque antibruit.** Le bruit peut entraîner des pertes auditives.
- ▶ **Si l'outil amovible est bloqué, arrêter d'avancer et arrêter l'appareil.** Identifier la cause du blocage et l'éliminer pour les outils amovibles bloqués.
- ▶ **Avant de redémarrer une carotteuse diamant qui est bloquée dans la pièce travaillée, vérifier que l'outil amovible n'est pas coincé.** Si l'outil amovible est coincé, il ne peut pas forcément tourner, ce qui peut entraîner une surcharge de l'outil ou le détachement de la carotteuse diamant de la pièce travaillée.
- ▶ **Si la colonne de forage est ancrée sur la pièce travaillée au moyen de brides d'ancrage et de vis, s'assurer que le moyen d'ancrage utilisé suffit pour maintenir la machine en toute sécurité lors de son utilisation.** Si la pièce travaillée n'est pas résistante ou s'avère poreuse, la bride d'ancrage peut être retirée, ce qui provoque le détachement de la colonne de forage de la pièce travaillée.
- ▶ **Si la colonne de forage est fixée sur la pièce travaillée à l'aide d'une semelle-ventouse, veiller à ce que la surface soit lisse, propre et non poreuse. Ne pas fixer la colonne de forage sur des surfaces laminées, telles que p. ex. du carrelage ou des revêtements de matériaux composites.** Si la surface de la pièce travaillée n'est pas lisse, plane ou suffisamment fixée, il y a un risque que la semelle-ventouse se détache de la pièce travaillée.
- ▶ **Avant et pendant le forage, s'assurer que la dépression est suffisante.** Si la dépression n'est pas suffisante, la semelle-ventouse peut se détacher de la pièce travaillée.
- ▶ **Ne jamais procéder à des forages au-dessus de la tête et à travers une paroi, si la machine est seulement fixée à l'aide de la semelle-ventouse.** En cas de perte du vide, la semelle-ventouse peut se détacher de la pièce travaillée.
- ▶ **Lors de forages à travers une paroi ou un plafond, s'assurer que les personnes et l'espace de travail de l'autre côté sont sécurisés.** Il y a en effet risque que la couronne de forage sorte de l'autre côté du trou foré et que la carotte tombe de l'autre côté.
- ▶ **En cas de travail au-dessus de la tête, toujours utiliser le dispositif de récupération de liquides spécifié dans le manuel d'utilisation. Veiller à ce que l'eau ne rentre pas dans l'outil.** La pénétration d'eau à l'intérieur d'un outil électroportatif augmente le risque d'un choc électrique.

2.3 Consignes de sécurité supplémentaires

Sécurité des personnes

- ▶ **Toute manipulation ou modification de l'appareil est interdite.**
- ▶ **L'appareil n'est pas destiné à être utilisé par des personnes affaiblies sans encadrement.**
- ▶ L'appareil doit être tenu à l'écart des enfants.
- ▶ **Éviter de toucher des pièces en rotation. Brancher l'appareil uniquement dans l'espace de travail.** Le fait de toucher des pièces en rotation, en particulier des outils en rotation, risque d'entraîner des blessures.
- ▶ **Éviter que la peau n'entre en contact avec les boues de forage.**
- ▶ Les poussières de matériaux telles que des peintures contenant du plomb, certains types de bois, du béton / de la maçonnerie / des pierres naturelles qui contiennent du quartz ainsi que des minéraux et des métaux peuvent être nuisibles à la santé. Le contact ou l'aspiration de poussière peut provoquer des réactions allergiques et/ou des maladies respiratoires de l'utilisateur ou de toute personne se trouvant à proximité. Certaines poussières, telles que des poussières de chêne ou de hêtre, sont considérées comme cancérogènes, en particulier lorsqu'elles sont combinées à des additifs destinés au traitement du bois (chromate, produit de protection du bois). Les matériaux contenant de l'amiante doivent uniquement être manipulés par des personnes spécialement formées. Si possible, utiliser un dispositif d'aspiration de poussière. Utiliser un aspirateur mobile pour bois et/ou poussières minérales recommandé par Hilti, spécialement étudié pour cet outil électroportatif. Veiller à ce que le poste de travail soit bien ventilé. Il est recommandé de porter un masque antipoussière adapté à la poussière concernée. Respecter les prescriptions locales en vigueur qui s'appliquent aux matériaux travaillés.
- ▶ La carotteuse diamant et la couronne diamantée sont lourdes. Il y a un risque d'écraser des parties du corps. **Pendant l'utilisation de l'appareil, l'utilisateur et les personnes se trouvant à proximité de**



L'appareil doit porter des lunettes de protection adaptées, un casque de protection, un casque antibruit, des gants de protection et des chaussures de sécurité.

Utilisation et emploi soigneux de l'outil électroportatif

- ▶ Vérifier que l'appareil est correctement fixé dans la colonne de forage.
- ▶ Veiller à ce qu'une butée d'extrémité soit toujours montée sur la colonne de forage, sans quoi la fonction de butée d'extrémité de sécurité n'est pas assurée.
- ▶ Vérifier que les outils sont bien munis du système d'emmanchement adapté à l'appareil et qu'ils sont toujours correctement verrouillés dans le porte-outil.

Sécurité relative au système électrique

- ▶ Les câbles de raccordement avec prises multiples et le fonctionnement simultané de plusieurs appareils doivent être évités.
- ▶ L'appareil doit uniquement être activé sur des réseaux avec conducteurs de protection et de dimensionnement suffisant.
- ▶ Avant d'entamer le travail, vérifier, par exemple à l'aide d'un détecteur de métaux, qu'il n'y a pas de câbles ou gaines électriques, tuyaux de gaz ou d'eau cachés dans la zone d'intervention. Toutes pièces métalliques extérieures de l'appareil peuvent devenir conductrices, par exemple, lorsqu'un câble électrique est endommagé par inadvertance. Cela peut entraîner un grave danger d'électrocution.
- ▶ Veiller à ce que le câble d'alimentation réseau ne soit pas endommagé lorsque le boîtier de guidage avance.
- ▶ Ne jamais faire fonctionner l'appareil sans le disjoncteur PRCD fourni (pour les appareils sans PRCD, jamais sans le transformateur de séparation). Contrôler le disjoncteur PRCD avant chaque utilisation.
- ▶ Contrôler régulièrement les câbles de raccordement de l'appareil et les faire remplacer par un spécialiste s'ils sont endommagés. Si le câble de raccordement de l'appareil électrique est endommagé, il doit être remplacé par un câble de raccordement spécialement préparé et autorisé, disponible auprès du service après-vente. Contrôler régulièrement les câbles de rallonge et les remplacer s'ils sont endommagés. Si le câble d'alimentation réseau ou de rallonge est endommagé pendant le travail, ne pas le toucher. Débrancher la fiche de la prise. Les cordons d'alimentation et câbles de rallonge endommagés représentent un danger d'électrocution.
- ▶ Ne jamais faire fonctionner l'appareil s'il est encrassé ou mouillé. La poussière accumulée sur les faces de l'appareil, en particulier celle produite par des matériaux conducteurs, ou l'humidité risquent, dans des conditions défavorables, de provoquer une décharge électrique. C'est pourquoi il convient de faire réviser les appareils encrassés par le S.A.V. Hilti à intervalles réguliers, surtout s'ils sont utilisés sur des matériaux conducteurs.

Place de travail

- ▶ Faire confirmer les travaux de forage par la direction des travaux. Les travaux de forage dans des bâtiments et autres structures sont susceptibles de modifier la statique de la construction, en particulier lors d'interventions sur des armatures métalliques ou des éléments porteurs.
- ▶ Si la colonne de forage n'est pas bien fixée, toujours guider l'appareil monté sur la colonne de forage complètement jusqu'en bas, pour éviter tout basculement.
- ▶ Tenir le câble d'alimentation réseau, le câble de rallonge et le tuyau d'aspiration à l'écart des pièces en rotation.
- ▶ Pour des forages à eau sous plafond, le système de récupération d'eau doit impérativement être utilisé avec un aspirateur de liquides.
- ▶ La fixation par ventouses, sans fixation supplémentaire, est interdite pour tout travail sous plafond.
- ▶ Pour des forages horizontaux avec fixation par ventouses (accessoire), la colonne de forage ne doit pas être utilisée sans dispositif de sécurité supplémentaire.

3 Description

3.1 Utilisation conforme à l'usage prévu

Le produit décrit est une carotteuse diamant électroportative. Il est conçu pour les forages à eau à guidage sur colonne de transpercements et de trous borgnes dans des matériaux supports (armés) de type minéral.

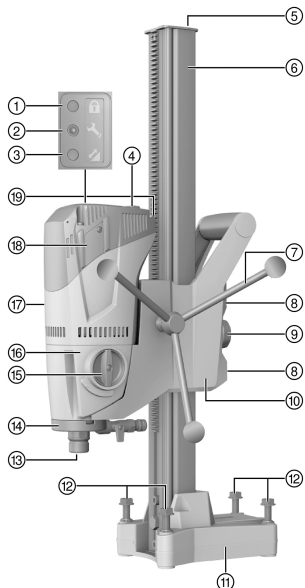
Une utilisation de la carotteuse diamant en mode guidage manuel n'est pas autorisée.

Le produit décrit est destiné aux utilisateurs professionnels et ne doit être utilisé, entretenu et réparé que par un personnel agréé, formé à cet effet. Ce personnel doit être au courant des dangers inhérents à l'utilisation de l'appareil. Le produit décrit et ses accessoires peuvent s'avérer dangereux s'ils sont utilisés de manière incorrecte par un personnel non qualifié ou de manière non conforme à l'usage prévu.



- ▶ La carotteuse diamant doit toujours être utilisée avec une colonne de forage. La colonne de forage doit être suffisamment ancrée dans le matériau support par le biais de brides d'ancrage ou d'une semelle-ventouse.
- ▶ Ne pas utiliser d'outil de percussion (marteau) pour la mise en place dans la semelle.
- ▶ L'appareil ne doit fonctionner qu'avec la tension réseau et la fréquence réseau indiquées sur la plaque signalétique.
- ▶ Observer les exigences nationales en matière de sécurité en vigueur.
- ▶ Respecter également les instructions de sécurité et d'utilisation de l'accessoire utilisé.
- ▶ Utiliser uniquement des accessoires et couronnes de forage **Hilti** d'origine, pour éviter tout risque de blessure.

3.2 Éléments constitutifs de l'appareil et organes de commande 1



Carotteuse diamant DD 120

- ① Indicateur de protection contre le vol (en option)
- ② Indicateur de maintenance
- ③ Indicateur de puissance de forage
- ④ Interrupteur Marche / Arrêt
- ⑤ Butée d'extrémité
- ⑥ Rail
- ⑦ Volant à main
- ⑧ Vis de réglage du jeu du boîtier de guidage (4x)
- ⑨ Blocage du boîtier de guidage
- ⑩ Boîtier de guidage
- ⑪ Semelle chevillable
- ⑫ Vis de mise à niveau (4x)
- ⑬ Porte-outil
- ⑭ Tête d'injection
- ⑮ Variateur de vitesse
- ⑯ Réducteur
- ⑰ Moteur
- ⑱ Couvercle de balais de charbon
- ⑲ Câble d'alimentation réseau avec disjoncteur PRCD

3.2.1 Semelle-ventouse (accessoire) 2

- ⑳ Broche de serrage
- ㉑ Raccord à vide
- ㉒ Manomètre
- ㉓ Détendeur de pression
- ㉔ Joint de la semelle-ventouse

3.2.2 Fixation 3

- ㉕ Broche de serrage
- ㉖ Bride d'ancrage
- ㉗ Écrou de broche de serrage

3.2.3 Système de récupération d'eau 4

- ㉘ Support du collecteur d'eau
- ㉙ Collecteur d'eau

3.3 Indicateur de maintenance

Le produit est équipé d'un indicateur de maintenance avec témoin lumineux.

3.4 Équipement livré

Carotteuse diamant, volant à main, mode d'emploi.



2215140

Français

25

La colonne de forage est fournie séparément. D'autres produits système autorisés pour votre produit peuvent être obtenus auprès de **Hilti Store** ou sous : www.hilti.group.

3.5 Utilisation d'un générateur ou d'un transformateur

Cet appareil peut être alimenté par un générateur ou un transformateur, si les conditions suivantes sont respectées : La puissance délivrée en watts doit être au moins égale au double de la puissance maximale telle qu'indiquée sur la plaque signalétique de l'appareil, la tension de service doit être en permanence située dans une plage de tolérance de +5 % et -15 % par rapport à la tension nominale, la fréquence doit être comprise entre 50 et 60 Hz sans jamais dépasser 65 Hz, et un régulateur de tension automatique avec système d'amplification au démarrage doit être présent.

La mise en marche ou l'arrêt d'autres appareils peut entraîner des pointes de sous-tension et/ou de surtension pouvant endommager l'appareil.

4 Caractéristiques techniques

4.1 Caractéristiques techniques

Poids (crémaillère 600 mm) selon la procédure EPTA 01	21,6 lb (9,8 kg)
Pression maximale autorisée dans la conduite d'eau	90 psi (6 bar)
1ère vitesse de rotation à vide de référence	740 tr/min
2e vitesse de rotation à vide de référence	1.580 tr/min
Dimensions de la colonne de forage à crémaillère courte (L x l x H)	13,0 in x 5,8 in x 23,6 in (330 mm x 147 mm x 600 mm)
Dimensions de la colonne de forage à crémaillère moyenne (L x l x H)	13,0 in x 5,8 in x 28,3 in (330 mm x 147 mm x 720 mm)
Dimensions de la colonne de forage à crémaillère longue (L x l x H)	13,0 in x 5,8 in x 32,7 in (330 mm x 147 mm x 830 mm)
Classe de protection	Classe de protection I (mise à la terre)

4.2 Vitesses et diamètres de couronne de forage correspondants

* Les diamètres de forage de l'appareil sont indiqués sur la plaque signalétique.
Dans des matériaux supports en béton avec peu d'armatures métalliques, la deuxième vitesse peut être utilisée jusqu'à Ø 82 mm (3 1/2 in) pour atteindre une progression de forage supérieure.

Vitesse	Diamètre de couronne diamantée	Vitesse de rotation à vide
1	57 ... 132 (*162) mm	740 tr/min
2	16 ... 52 mm	1.580 tr/min

5 Préparatifs

AVERTISSEMENT

Risque de blessures ! Si elle est mal fixée, la colonne de forage peut tourner ou se renverser.

- ▶ Fixer la colonne de forage au moyen de chevilles ou d'une semelle-ventouse sur le matériau support approprié avant d'utiliser la foreuse au diamant.
- ▶ Utiliser uniquement des chevilles qui conviennent pour le matériau support existant et observer les instructions de montage du fabricant de chevilles.
- ▶ Utiliser une semelle-ventouse seulement si le matériau support existant convient pour la fixation de la colonne de forage au moyen d'une ventouse.



5.1 Montage du volant à main sur la carotteuse diamant 4

1. Enlever la goupille et insérer le volant à main sur l'axe.
2. Bloquer le volant à main à l'aide de la goupille.



Le volant à main peut être monté sur les deux côtés du boîtier de guidage.

5.2 Fixation de la carotteuse diamant sur la colonne de forage 5

ATTENTION

Risque de blessures Danger du fait d'une mise en marche inopinée de la carotteuse diamant.

- ▶ Pendant le changement d'équipement, la carotteuse diamant ne doit pas être branchée au réseau électrique.

1. Desserrer le vis intérieure à l'aide de la clé pour vis à six pans creux.
2. Enlever la butée d'extrémité de la crémaillère.
3. Ouvrir le dispositif de blocage du boîtier de guidage en tournant complètement le bouton tournant.
4. Placer la carotteuse diamant au-dessus de l'orifice prévu sur la crémaillère.
5. Utiliser le volant à main pour faire avancer complètement la carotteuse diamant sur la crémaillère.
6. Bloquer la carotteuse diamant en resserrant complètement le dispositif de blocage du boîtier de guidage.
7. S'assurer de la bonne fixation de la carotteuse diamant en tournant légèrement le volant à main.
8. Monter la butée d'extrémité sur la crémaillère et vérifier qu'elle est bien fixée.



Vérifier le jeu du boîtier de guidage et le régler si nécessaire. → Page 33

5.3 Fixation de la colonne de forage avec bride d'ancrage 3

AVERTISSEMENT

Risque de blessures entraînées par l'utilisation d'une bride d'ancrage inappropriée ! L'appareil risque de se détacher et de provoquer des dommages.

- ▶ Utiliser la cheville adaptée au matériau support et observer les instructions de montage du fabricant de chevilles.



Les chevilles expansibles métalliques M12 **Hilti** conviennent habituellement pour les fixations courantes de l'équipement carotteuse diamant dans du béton non fissuré. Néanmoins, dans certaines conditions, une fixation alternative peut s'avérer nécessaire. Pour toutes questions quant à la fixation la plus sûre, s'adresser au service technique de **Hilti**.

1. Placer une bride d'ancrage appropriée selon le matériau support à 203 mm (8 in) du centre du trou de forage.
2. Visser la broche de serrage dans la bride.
3. Tourner toutes les vis de mise à niveau en arrière jusqu'à ce que la semelle soit à fleur avec le matériau support.
4. Poser la colonne de forage sur la broche de serrage et orienter la colonne de forage.
5. Visser l'écrou de la broche de serrage sur la broche sans serrer.
6. Mettre la semelle à niveau à l'aide des 4 vis de mise à niveau.



Les vis de mise à niveau doivent toutes être bien appliquées contre le matériau support.

7. Fixer la colonne de forage avec l'écrou de broche de serrage et à l'aide d'une clé à fourche (SW 19).
8. S'assurer de la bonne fixation de la colonne de forage.



5.4 Fixation avec semelle-ventouse (accessoire)

DANGER

Risque de blessures entraînées par la chute de la carotteuse diamant !

- ▶ Il est interdit de fixer la colonne de forage au plafond uniquement avec fixation par ventouses. Une fixation supplémentaire peut être p. ex. assurée à l'aide d'un étai ou d'une broche filetée.

AVERTISSEMENT

Risque de blessures en cas d'absence de contrôle de la pression !

- ▶ Avant et en cours de forage, veiller à ce que l'indicateur du manomètre se trouve dans la zone verte.



S'assurer que la couronne diamantée choisie n'endommage pas la semelle-ventouse.

Avant de positionner la colonne de forage, vérifier qu'il y a suffisamment d'espace disponible pour le montage et l'utilisation.

Utiliser la fixation par ventouses uniquement avec des couronnes de forage d'un diamètre ≤ 300 mm (≤ 12 in) et sans utilisation d'une entretoise.

1. Tracer une ligne d'orientation d'une longueur de 800 mm (31.5 in) environ du centre du trou de forage dans le sens dans lequel la carotteuse diamant sera placée.
2. Tracer une ligne de repère à 203 mm (8 in) du centre du trou de forage perpendiculairement à la ligne d'orientation.
3. Tourner toutes les vis de mise à niveau en arrière jusqu'à ce que la semelle chevillable soit à fleur avec le matériau support.
4. Placer la colonne de forage au-dessus de la broche sur la semelle-ventouse.
 - ↳ La semelle chevillable repose à fleur sur les butées arrière de la semelle-ventouse.
5. Fixer la colonne de forage avec l'écrou de broche de serrage et à l'aide d'une clé à fourche SW 19.
6. Fixer les raccords à vide de la semelle-ventouse à l'aide de la pompe à vide.
7. Mettre la pompe à vide en marche et appuyer la semelle-ventouse contre le matériau support.
8. Pour orienter la carotteuse au diamant, appuyer sur le détenteur de pression et le maintenir enfoncé.



Utiliser le repère sur la semelle chevillable et la ligne de repère à des fins d'orientation.

9. Relâcher le détenteur de pression et appuyer la semelle-ventouse contre le matériau support.
10. S'assurer de la bonne fixation de la colonne de forage.
11. Le cas échéant, mettre la carotteuse diamant à niveau à l'aide des 4 vis de mise à niveau.

5.5 Installation du raccordement d'eau (accessoire)

ATTENTION

Mise en danger en cas d'utilisation incorrecte ! Le flexible risque d'être endommagé en cas d'utilisation incorrecte .

- ▶ Contrôler régulièrement les tuyaux flexibles afin de vérifier qu'ils ne sont pas endommagés et s'assurer que la pression maximale autorisée de 6 bar n'est pas dépassée dans la conduite d'eau.
- ▶ Veiller à ce que le flexible n'entre pas en contact avec des pièces en rotation.
- ▶ Veiller à ce que le flexible ne soit pas endommagé lorsque le boîtier de guidage avance.
- ▶ Température max. de l'eau : 40 °C.
- ▶ Vérifier que le système à eau raccordé est bien étanche.



Utiliser uniquement de l'eau claire ou de l'eau exempte de particules de saleté pour éviter d'endommager les composants.

En tant qu'accessoire, un indicateur de débit peut être monté entre l'appareil et la conduite d'alimentation en eau.

1. Raccorder le dispositif de régulation du débit d'eau à la carotteuse diamant.
2. Établir le branchement avec la conduite d'alimentation en eau (raccord d'entrée du flexible).



5.6 Montage du système de récupération d'eau (accessoire)

AVERTISSEMENT

Danger d'électrocution ! En cas d'aspiration défectueuse, de l'eau peut s'écouler au-dessus du moteur et du couvercle !

- ▶ Interrompre immédiatement le travail si l'aspiration ne fonctionne plus.

ATTENTION

Risque de blessures ! Mise en marche inopinée du produit.

- ▶ Retirer la fiche de la prise avant d'effectuer des réglages sur l'appareil ou de changer les accessoires.



En cas de forage vers le haut, la carotteuse diamant doit être à un angle de 90° par rapport au plafond. L'anneau d'étanchéité du système de récupération d'eau doit être adapté au diamètre de la couronne diamantée.

L'utilisation d'un système de récupération d'eau permet d'évacuer l'eau de manière ciblée et d'éviter de salir l'environnement de travail.

1. Retirer la vis sur la colonne de forage.
2. Monter le support du collecteur d'eau avec la vis sur la colonne de forage.
3. Mettre en place le collecteur d'eau entre les deux bras mobiles du support du collecteur d'eau, avec joint d'étanchéité et anneau d'étanchéité du système de récupération montés.
4. Fixer le collecteur d'eau à l'aide des deux vis sur le support du collecteur d'eau contre le matériau support.
5. Raccorder un aspirateur de liquides au collecteur d'eau ou raccorder un tuyau afin de permettre l'évacuation de l'eau.

5.7 Mise en place de la couronne diamantée (porte-outil BI+)

DANGER

Risque de blessures Des éclats de la pièce travaillée ou des accessoires cassés risquent d'être projetés et de provoquer des blessures même à l'extérieur de l'espace de travail direct.

- ▶ Ne pas utiliser d'accessoires endommagés. Avant chaque utilisation, vérifier que les accessoires ne sont ni écaillés ni usés ou fortement détériorés.

ATTENTION

Risque de blessures ! Mise en marche inopinée du produit.

- ▶ Retirer la fiche de la prise avant d'effectuer des réglages sur l'appareil ou de changer les accessoires.



Les couronnes diamantées doivent être remplacées, sitôt que les performances de tronçonnage resp. la progression de forage sont nettement réduites. C'est d'une manière générale le cas, lorsque la hauteur des segments diamantés est inférieure à 2 mm (1/16 in).

Les porte-outils C-Rod, A-Rod, M27 et BR s'actionnent à l'aide d'une clé à fourche SW 27.

1. Bloquer la carotteuse diamant en resserrant complètement le dispositif de blocage du boîtier de guidage.
2. Ouvrir le porte-outil (BI+) en tournant dans le sens du symbole Étrier ouvert.
3. Insérer le système d'emmanchement de la couronne diamantée par le bas sur la denture du porte-outil de la carotteuse diamant.
4. Fermer le porte-outil en tournant dans le sens du symbole Etrier fermé.
5. Vérifier que la couronne diamantée est bien en place dans le porte-outil.

5.8 Sélection de la vitesse de rotation

ATTENTION

Risque d'usure Risque d'endommagement du mécanisme de transmission

- ▶ Ne pas mettre en service. Attendre jusqu'à ce que la broche soit immobilisée.



1. Choisir la vitesse selon le diamètre de couronne de forage utilisé.
2. Tourner le commutateur tout en tournant la couronne diamantée à la main, jusqu'à la position recommandée.

5.9 Retrait de la couronne diamantée (porte-outil BI +)

DANGER


Risque de blessures Des éclats de la pièce travaillée ou des accessoires cassés risquent d'être projetés et de provoquer des blessures même à l'extérieur de l'espace de travail direct.

- ▶ Ne pas utiliser d'accessoires endommagés. Avant chaque utilisation, vérifier que les accessoires ne sont ni écaillés ni usés ou fortement détériorés.

ATTENTION

Risque de blessures ! Mise en marche inopinée du produit.

- ▶ Retirer la fiche de la prise avant d'effectuer des réglages sur l'appareil ou de changer les accessoires.

 Pour les porte-outils C-Rod, A-Rod, M27 et BR, bloquer l'arbre de l'appareil à l'aide d'une clé à fourche appropriée SW 27 et enlever la couronne de forage à l'aide d'une clé à fourche appropriée.

1. Bloquer la carotteuse diamant en resserrant complètement le dispositif de blocage du boîtier de guidage.
2. Ouvrir le porte-outil (BI+) en tournant dans le sens du symbole Étrier ouvert.
3. Tirer la douille du mandrin dans le sens de la flèche vers l'appareil pour débloquent la couronne de forage.
4. Retirer la couronne de forage hors du porte-outil (BI +).


6 Utilisation

6.1 Protection contre le vol TPS (en option)

Ce produit peut être équipé en option de la fonction de protection contre le vol TPS. Cette fonction peut uniquement être débloquent et activée à l'aide de la clé correspondante.

6.2 Désactivation de la protection contre le vol TPS

1. Brancher la fiche d'alimentation de la carotteuse diamant dans la prise.
2. Appuyer sur la touche "Reset" ou la touche "I" du disjoncteur PRCD.
 - ↳ Le voyant jaune de protection contre le vol clignote.
3. Mettre la clé de débloquent directement sur le symbole Verrou.
 - ↳ Le voyant jaune de protection contre le vol s'éteint et l'appareil est débloquent.

 Si l'alimentation électrique est coupée, l'appareil reste débloquent pendant 20 minutes environ. En cas d'interruption prolongée, la protection contre le vol doit être à nouveau désactivée à l'aide de la clé de débloquent.

6.3 Disjoncteur à tension nulle PRCD

1. Insérer la fiche d'alimentation de la carotteuse diamant dans une prise terre.
2. Appuyer sur la touche "I" ou "RESET" du disjoncteur à tension nulle PRCD.
 - ↳ L'affichage s'allume.
3. Appuyer sur la touche "0" ou "TEST" du disjoncteur à tension nulle PRCD.
 - ↳ L'affichage s'éteint.

AVERTISSEMENT

Risque de blessures entraînées par électrocution ! Si l'affichage du conducteur de protection contre les courants de défaut ne disparaît pas en appuyant sur la touche **0** resp. **TEST**, la carotteuse diamant ne doit plus être utilisée !

- ▶ Faire réparer la carotteuse diamant par le S.A.V. **Hilti**.

4. Appuyer sur la touche "I" ou "RESET" du disjoncteur à tension nulle PRCD.
 - ↳ L'affichage s'allume.



6.4 Utilisation de la carotreuse au diamant sans aspirateur de liquides

1. Ouvrir lentement le dispositif de régulation du débit d'eau jusqu'à ce que la quantité d'eau souhaitée coule.



La carotreuse diamant peut être utilisée avec et sans système de récupération d'eau. Avec système de récupération d'eau, l'eau de forage est évacuée par le biais d'un tuyau flexible, sans système de récupération d'eau, l'eau s'écoule de manière incontrôlée. En cas de fonctionnement avec système de récupération d'eau, monter d'abord le système de récupération d'eau → Page 29. Dans les deux applications, il est interdit de forer vers le haut.

2. Appuyer sur l'interrupteur Marche / Arrêt "I".
3. Ouvrir le dispositif de blocage du boîtier de guidage.
4. À l'aide du volant, tourner la couronne diamantée jusqu'au matériau support.
5. Exercer une pression légère au début du forage le temps que la couronne de forage se centre puis augmenter la pression d'appui.
6. Tenir compte de l'indicateur de puissance de forage.



Au début, l'indicateur de puissance de forage s'allume en orange. La puissance de forage idéale est atteinte lorsque l'indicateur de puissance de forage s'allume en vert. Réduire la puissance de forage si l'indicateur de puissance de forage passe au rouge.

6.5 Utilisation de la carotreuse au diamant avec un aspirateur de liquides



AVERTISSEMENT

Danger d'électrocution ! En cas d'aspiration défectueuse, de l'eau peut s'écouler au-dessus du moteur et du couvercle !

- ▶ Interrompre immédiatement le travail si l'aspiration ne fonctionne plus.

1. Monter le système de récupération d'eau → Page 29 et raccorder l'aspirateur de liquides.
2. Mettre l'aspirateur de liquides en marche, ne pas utiliser le mode automatique.
3. Ouvrir lentement le dispositif de régulation du débit d'eau jusqu'à ce que la quantité d'eau souhaitée coule.
4. Appuyer sur l'interrupteur Marche / Arrêt "I".
5. Ouvrir le dispositif de blocage du boîtier de guidage.
6. À l'aide du volant, tourner la couronne diamantée jusqu'au matériau support.
7. Exercer une pression légère au début du forage le temps que la couronne de forage se centre puis augmenter la pression d'appui.
8. Tenir compte de l'indicateur de puissance de forage.



Au début, l'indicateur de puissance de forage s'allume en orange. La puissance de forage idéale est atteinte lorsque l'indicateur de puissance de forage s'allume en vert. Réduire la puissance de forage si l'indicateur de puissance de forage passe au rouge.

6.6 Étapes de travail en cas de coincement de la couronne de forage

Si la couronne de forage est coincée, l'accouplement à friction se désengage d'abord. Le système électronique coupe ensuite le moteur et en l'absence de l'intervention manuelle de l'utilisateur, se remet deux fois automatiquement en marche. Si cela ne permet pas de remédier au blocage, le système électronique coupe le moteur pendant 90 secondes. Il est possible de remédier manuellement au blocage de la manière suivante :

6.6.1 Desserrage de la couronne de forage à l'aide d'une clé à fourche

1. Débrancher la fiche de la prise.
2. Saisir la couronne de forage diamantée près de l'emmanchement à l'aide d'une clé à fourche appropriée et desserrer la couronne de forage diamantée en la tournant.
3. Brancher la fiche dans la prise.
4. Poursuivre le processus de forage.

6.6.2 Desserrage de la couronne de forage à l'aide du volant

1. Débrancher la fiche de la prise.



2. Desserrer la couronne de forage à l'aide du volant hors du matériau support.
3. Brancher la fiche dans la prise.
4. Poursuivre le processus de forage.

6.7 Mise en arrêt de la carotteuse diamant **10**

AVERTISSEMENT

Danger pour les personnes et le matériel Lors de forages effectués sous plafond, la couronne diamantée se remplit d'eau. La carotteuse diamant peut être endommagée et le risque de choc électrique est accru.

- ▶ À la fin d'un forage vers le haut, avant de poursuivre, laisser l'eau s'écouler avec précaution. Débrancher le tuyau d'arrivée d'eau sur le dispositif de régulation du débit d'eau et ouvrir le dispositif de régulation du débit d'eau pour laisser l'eau s'écouler. L'eau ne doit cependant pas couler sur l'unité moteur et le couvercle.

1. Raccorder le dispositif de régulation du débit d'eau à la carotteuse diamant.
2. Tirer la couronne diamantée hors du trou de forage.
3. Bloquer la carotteuse au diamant à l'aide du dispositif de blocage du boîtier de guidage.
4. Arrêter la carotteuse diamant.
5. Le cas échéant, arrêter l'aspirateur de liquides.

6.8 Démontage de la carotteuse diamant

1. Débrancher la fiche de la prise.
2. Pour démonter la couronne diamantée, voir chapitre "Démontage de la couronne diamantée" → Page 30.
3. Le cas échéant, enlever la carotte.
4. Démontez la carotteuse diamant pour l'enlever du support.



Si le système est démonté d'une pièce, il est recommandé, après avoir arrêté l'appareil, de descendre ce dernier complètement vers le bas jusqu'à ce que la couronne de forage touche le matériau support. Ceci permet d'éviter que la carotteuse diamant ne tombe.

7 Nettoyage et entretien

7.1 Nettoyage et entretien

AVERTISSEMENT

Danger d'électrocution ! Les travaux de nettoyage et d'entretien effectués avec fiche branchée à la prise peuvent entraîner de graves blessures ou brûlures.

- ▶ Toujours retirer la fiche de la prise avant tous travaux de nettoyage et d'entretien !

Nettoyage

- Éliminer prudemment les saletés récalcitrantes.
- Nettoyer les ouïes d'aération avec précaution au moyen d'une brosse sèche.
- Nettoyer le boîtier uniquement avec un chiffon légèrement humidifié. Ne pas utiliser de nettoyeurs à base de silicone, ceci pourrait attaquer les pièces en plastique.

Entretien

AVERTISSEMENT

Risque d'électrocution ! Des réparations inappropriées sur des composants électriques peuvent entraîner de graves blessures corporelles et brûlures.

- ▶ Toute réparation des pièces électriques ne doit être effectuée que par un électricien qualifié.
- Vérifier régulièrement qu'aucune pièce visible n'est endommagée et que les organes de commande sont parfaitement opérationnels.
- En cas d'endommagements et/ou de dysfonctionnements, ne pas utiliser le produit. Le faire immédiatement réparer par le S.A.V. **Hilti**.
- Après des travaux de nettoyage et d'entretien, vérifier si tous les équipements de protection sont bien en place et fonctionnent parfaitement.



Pour une utilisation en toute sécurité, utiliser uniquement des pièces de rechange et consommables d'origine. Vous trouverez les pièces de rechange, consommables et accessoires autorisés convenant pour votre produit dans le centre **Hilti Store** ou sous : www.hilti.group.

7.2 Réglage du jeu entre la crémaillère et le boîtier de guidage

1. Serrer les vis de réglage du jeu de boîtier de guidage à l'aide d'une clé pour vis à six pans creux.

Caractéristiques techniques

Couple de serrage	5 Nm
-------------------	------

2. Desserrer les vis de réglage à nouveau d'1/4 de tour.
3. Le boîtier de guidage est correctement réglé, s'il reste sans couronne de forage diamantée dans sa position et s'il descend avec couronne de forage diamantée.

7.3 Remplacement des balais de charbon

AVERTISSEMENT

Risque de blessures entraînées par électrocution !

- ▶ L'appareil ne doit être utilisé, entretenu et réparé que par un personnel autorisé et formé à cet effet ! Ce personnel doit être au courant des dangers inhérents à l'utilisation de l'appareil.

AVERTISSEMENT

Danger d'électrocution ! Les travaux de nettoyage et d'entretien effectués avec fiche branchée à la prise peuvent entraîner de graves blessures ou brûlures.

- ▶ Toujours retirer la fiche de la prise avant tous travaux de nettoyage et d'entretien !

1. Ouvrir les couvercles des balais de charbon de part et d'autre de l'unité moteur.
2. **Bien observer comment sont disposés les balais de charbon et les cordons.** Retirer les balais de charbon usagés de la carotteuse au diamant.
3. Installer les nouveaux balais de charbon exactement comme les anciens balais de charbon étaient disposés avant.

Lors de la mise en place, veiller à ne pas endommager l'isolation du cordon de contrôle.

4. Visser les couvercles des balais de charbon de part et d'autre de l'unité moteur.
5. Laisser les balais de charbon tourner à vide au moins pendant 1 minute sans interruption.
 - ↳ Le témoin lumineux s'éteint après 1 minute de fonctionnement environ.

8 Transport et entreposage

Transport

- ▶ Ne jamais transporter ce produit avec outil monté.
- ▶ Veiller à le tenir fermement pendant le transport.
- ▶ Vérifier après chaque transport qu'aucune pièce visible n'est endommagée et que les organes de commande sont parfaitement opérationnels.

Stockage

- ▶ Toujours stocker l'appareil avec la fiche secteur débranchée.
- ▶ Stocker cet appareil à l'état sec hors de portée des enfants et des personnes non autorisées.
- ▶ Vérifier après un stockage prolongé qu'aucune pièce visible n'est endommagée et que les organes de commande sont parfaitement opérationnels.

8.1 Transport de la carotteuse diamant

AVERTISSEMENT

Risque de blessures ! Certaines pièces peuvent se détacher et tomber.

- ▶ Ne pas accrocher la carotteuse diamant et/ou la colonne de forage à une grue.



2215140

Français






33

- ▶ Transporter séparément la carotteuse diamant, la colonne de forage et la couronne de forage.
 - ↳ Pour faciliter le transport, utiliser le train roulant (accessoire).
- ▶ Avant d'entreposer la carotteuse diamant, ouvrir le dispositif de régulation du débit d'eau.

9 Aide au dépannage


- ▶ En cas de défaillances non énumérées dans ce tableau ou auxquelles il n'est pas possible de remédier sans aide, contacter le S.A.V. Hilti.

9.1 La carotteuse au diamant n'est pas en état de fonctionner

Défaillance	Causes possibles	Solution
 <p>L'indicateur de maintenance n'indique rien.</p>	Disjoncteur PRCD non enclenché.	▶ Vérifier que le disjoncteur PRCD est en bon état et l'enclencher.
	L'alimentation réseau est coupée.	▶ Brancher un autre appareil électrique et vérifier s'il fonctionne. ▶ Contrôler les fiches de raccordement, le câble d'alimentation secteur, le câble électrique et le fusible de secteur.
	Interrupteur Marche / Arrêt défectueux.	▶ Faire réparer l'appareil par le S.A.V. Hilti.
	Système électronique défectueux.	▶ Faire réparer l'appareil par le S.A.V. Hilti.
	Présence d'eau dans le moteur.	▶ Laisser complètement sécher la carotteuse au diamant dans un endroit chaud et sec.
 <p>L'indicateur de maintenance s'allume.</p>	Balais de charbon usés.	▶ Remplacer les balais de charbon. → Page 33
 <p>L'indicateur de maintenance clignote.</p>	Vitesse de rotation erronée.	▶ Faire réparer l'appareil par le S.A.V. Hilti.
 <p>L'indicateur de puissance de forage clignote d'une lumière rouge.</p>	Surchauffe du moteur.	▶ Attendre quelques minutes le temps que le moteur refroidisse, ou laisser tourner à vide la carotteuse au diamant pour accélérer le refroidissement. Arrêter puis remettre la carotteuse au diamant en marche.
	Problème de surcharge.	▶ Arrêter puis remettre la carotteuse au diamant en marche.
 <p>L'indicateur de protection contre le vol clignote.</p>	Carotteuse au diamant non débloquée (sur les carotteuses au diamant avec protection antivol, en option).	▶ Débloquer la carotteuse au diamant à l'aide de la clé de déblocage.



9.2 La carotteuse au diamant est en état de fonctionner


Défaillance	Causes possibles	Solution
 <p>L'indicateur de maintenance s'allume.</p>	Le seuil d'usure des balais de charbon est presque atteint. Le temps de fonctionnement restant jusqu'à l'arrêt automatique de la carotteuse au diamant est encore de quelques heures.	<ul style="list-style-type: none"> ▶ Faire remplacer les balais de charbon à la prochaine occasion.
La carotteuse au diamant n'atteint pas la pleine puissance.	Dérangement du secteur – sous-tension dans l'alimentation secteur.	<ul style="list-style-type: none"> ▶ Vérifier si d'autres consommateurs sont à l'origine des dérangements sur le secteur ou, le cas échéant, perturbent le fonctionnement du générateur. ▶ Contrôler la longueur du câble de rallonge électrique.
La couronne diamantée ne tourne pas.	Variateur de vitesse non enclenché.	▶ Actionner le variateur de vitesse jusqu'à ce qu'il soit enclenché.
	La couronne de forage diamantée est coincée dans le matériau support.	▶ Desserrage de la couronne de forage diamantée à l'aide d'une clé à fourche : Débrancher la fiche de la prise. Saisir la couronne de forage diamantée près de l'emmanchement à l'aide d'une clé à fourche appropriée et desserrer la couronne de forage diamantée en la tournant.
		<p>Forage à l'aide du boîtier de guidage</p> <ul style="list-style-type: none"> ▶ Tourner le volant à main et essayer de retirer la couronne de forage diamantée en bougeant le boîtier de guidage vers le haut et vers le bas.
	Réducteur défectueux.	▶ Faire réparer l'appareil par le S.A.V. Hilti.
La vitesse de forage diminue.	Profondeur de forage maximale atteinte.	▶ Retirer la carotte et utiliser une rallonge de couronne de forage.
	Carotte coincée dans la couronne de forage diamantée.	▶ Retirer la carotte.
	Spécification erronée du matériau support.	▶ Choisir une spécification de couronne diamantée plus en adéquation.
	Forte proportion d'acier (reconnaissable à l'eau claire mêlée à des copeaux métalliques).	▶ Choisir une spécification de couronne diamantée plus en adéquation.
	Couronne de forage diamantée défectueuse.	▶ Vérifier que la couronne de forage diamantée n'est pas endommagée et la remplacer le cas échéant.
	Sélection d'un régime inapproprié.	▶ Choisir le régime approprié.
	Force d'appui trop faible.	▶ Augmenter la force d'appui.
	Puissance de l'appareil insuffisante.	▶ Augmenter la puissance d'un cran.
	Couronne de forage diamantée polie.	▶ Affûter la couronne de forage diamantée sur un banc d'affûtage.



Défaillance	Causes possibles	Solution
La vitesse de forage diminue.	Quantité d'eau trop élevée.	▶ Réduire la quantité d'eau au moyen du dispositif de régulation du débit d'eau.
	Quantité d'eau insuffisante.	▶ Contrôler l'arrivée d'eau vers la couronne de forage diamantée resp. augmenter la quantité d'eau au moyen du dispositif de régulation du débit d'eau.
	Dispositif de blocage serré.	▶ Desserrer le dispositif de blocage.
	L'accouplement à friction se désengage trop tôt ou glisse.	▶ Faire réparer l'appareil par le S.A.V. Hilti.
Le volant à main se laisse tourner sans opposer de résistance.	Goupille cassée.	▶ Remplacer la goupille.
Impossible d'insérer la couronne de forage diamantée dans le porte-outil.	Emmanchement / porte-outil encrassé ou endommagé.	▶ Nettoyer l'emmanchement resp. le porte-outil, le graisser ou le remplacer.
De l'eau sort de la tête d'injection ou du boîtier d'engrenage.	Pression d'eau trop élevée.	▶ Réduire la pression d'eau.
En cours de fonctionnement, de l'eau sort du porte-outil.	Couronne de forage diamantée insuffisamment vissée dans le porte-outil.	▶ Serrer à fond la couronne de forage diamantée dans le porte-outil. ▶ Enlever la couronne de forage diamantée. Tourner la couronne de forage diamantée de 90° env. autour de l'axe de la couronne de forage. Remonter la couronne de forage diamantée.
	Emmanchement / porte-outil encrassé.	▶ Nettoyer et graisser l'emmanchement resp. le porte-outil.
	Anneau d'étanchéité du porte-outil ou de l'emmanchement défectueux.	▶ Vérifier l'anneau d'étanchéité et le remplacer au besoin.
Jeu trop important du système de forage.	Couronne de forage diamantée insuffisamment vissée dans le porte-outil.	▶ Serrer à fond la couronne de forage diamantée dans le porte-outil. ▶ Enlever la couronne de forage diamantée. Tourner la couronne de forage diamantée de 90° env. autour de l'axe de la couronne de forage. Remonter la couronne de forage diamantée.
	Emmanchement / porte-outil défectueux.	▶ Contrôler l'emmanchement et le porte-outil, et le remplacer le cas échéant.
	Jeu trop important du boîtier de guidage.	▶ Régler le jeu entre la crémaillère et le boîtier de guidage. → Page 33
	Vis desserrées sur la colonne de forage.	▶ Vérifier que les vis sur la colonne de forage sont bien serrées et, si nécessaire, les resserrer.
	Colonne de forage insuffisamment fixée.	▶ Fixer mieux la colonne de forage.



10 Recyclage

 Les appareils **Hilti** sont fabriqués pour une grande partie en matériaux recyclables. Le recyclage présuppose un tri adéquat des matériaux. **Hilti** reprend les appareils usagés dans de nombreux pays en vue de leur recyclage. Consulter le service clients **Hilti** ou un conseiller commercial.



- ▶ Ne pas jeter les appareils électriques, électroniques et accus dans les ordures ménagères !
-

11 Garantie constructeur

- ▶ En cas de questions sur les conditions de garantie, veuillez vous adresser à votre partenaire **Hilti** local.



1 Información sobre la documentación

1.1 Acerca de esta documentación

- Lea detenidamente esta documentación antes de la puesta en servicio. Ello es imprescindible para un trabajo seguro y un manejo sin problemas.
- Respete las indicaciones de seguridad y las advertencias presentes en esta documentación y en el producto.
- Conserve este manual de instrucciones siempre junto con el producto y entregue el producto a otras personas siempre acompañado del manual.

1.2 Explicación de símbolos

1.2.1 Avisos

Las advertencias de seguridad advierten de peligros derivados del manejo del producto. Se utilizan las siguientes palabras de peligro:



PELIGRO

PELIGRO !

- ▶ Término utilizado para un peligro inminente que puede ocasionar lesiones graves o incluso la muerte.



ADVERTENCIA

ADVERTENCIA !

- ▶ Término utilizado para un posible peligro que puede ocasionar lesiones graves o incluso la muerte.



PRECAUCIÓN

PRECAUCIÓN !

- ▶ Término utilizado para una posible situación peligrosa que puede ocasionar lesiones leves o daños materiales.

1.2.2 Símbolos en la documentación

En esta documentación se utilizan los siguientes símbolos:



Leer el manual de instrucciones antes del uso



Indicaciones de uso y demás información de interés



Manejo con materiales reutilizables



No tirar las herramientas eléctricas y las baterías junto con los desperdicios domésticos

1.2.3 Símbolos en las figuras

En las figuras se utilizan los siguientes símbolos:

2

Estos números hacen referencia a la figura correspondiente incluida al principio de este manual

3

La numeración describe el orden de los pasos de trabajo en la imagen y puede ser diferente de los pasos descritos en el texto

11

Los números de posición se utilizan en la figura **Vista general** y los números de la leyenda están explicados en el apartado **Vista general del producto**



Preste especial atención a este símbolo cuando utilice el producto.

1.3 Símbolos del producto

1.3.1 Señales prescriptivas

Se utilizan las siguientes señales prescriptivas:



	Utilizar protección para los ojos
	Utilizar casco de protección
	Utilizar protección para los oídos
	Utilizar guantes de protección
	Utilizar zapatos de protección
	Utilizar mascarilla ligera

1.3.2 Símbolos en el producto

En el producto se pueden utilizar los siguientes símbolos:

	Indicador de protección antirrobo
	Indicador de funcionamiento
	Indicador de la capacidad de perforación
	Puesta a tierra de protección
n_0	Número de referencia de revoluciones en vacío
	Transferencia de datos inalámbrica

1.4 Placas indicadoras

En el soporte, la placa base o la perforadora de diamante

	<p>En la placa base al vacío</p> <p>Mitad superior de la figura: en perforaciones horizontales con fijación al vacío no se puede utilizar el soporte sin el dispositivo de seguridad adicional.</p> <p>Mitad inferior de la figura: está prohibido perforar hacia arriba utilizando la fijación al vacío si no va acompañada de una sujeción adicional.</p>
	<p>En la perforadora de diamante</p> <p>Para trabajar hacia arriba se requiere el sistema colector de agua en combinación con un aspirador en húmedo.</p>
	<p>En la perforadora de diamante</p> <p>Trabaje exclusivamente con un PRCD en perfecto estado.</p>



1.5 Información del producto

Los productos han sido diseñados para usuarios profesionales y solo personal autorizado y debidamente formado puede utilizarlos y llevar a cabo su mantenimiento y conservación. Este personal debe estar especialmente instruido en lo referente a los riesgos de uso. La utilización del producto y sus dispositivos auxiliares puede conllevar riesgos para el usuario en caso de manejarse de forma inadecuada por personal no cualificado o utilizarse para usos diferentes a los que están destinados.

La denominación del modelo y el número de serie están indicados en la placa de identificación.

- ▶ Escriba el número de serie en la siguiente tabla. Necesitará los datos del producto para realizar consultas a nuestros representantes o al Departamento de Servicio Técnico.

Datos del producto

Perforadora de diamante	DD 120
Generación	01
N.º de serie	

1.6 Declaración de conformidad

Bajo nuestra exclusiva responsabilidad, declaramos que el producto aquí descrito cumple con las directivas y normas vigentes. Encontrará una reproducción del organismo certificador al final de esta documentación. La documentación técnica se encuentra depositada aquí:

Hilti Entwicklungsgesellschaft mbH | Zulassung Geräte | Hiltistraße 6 | 86916 Kaufering, DE

2 Seguridad

2.1 Indicaciones generales de seguridad para herramientas eléctricas

⚠ ADVERTENCIA Lea con atención todas las indicaciones de seguridad, instrucciones, ilustraciones y datos técnicos correspondientes a esta herramienta eléctrica. La negligencia en el cumplimiento de las instrucciones que se describen a continuación podría provocar descargas eléctricas, incendios o lesiones graves.

Conservar todas las instrucciones e indicaciones de seguridad para futuras consultas.

El término «herramienta eléctrica» empleado en las indicaciones de seguridad se refiere a herramientas eléctricas portátiles, ya sea con cable de red o sin cable, en caso de ser accionadas por batería.

Seguridad en el puesto de trabajo

- ▶ **Mantenga su área de trabajo limpia y bien iluminada.** El desorden o una iluminación deficiente de las zonas de trabajo pueden provocar accidentes.
- ▶ **No utilice la herramienta eléctrica en un entorno con peligro de explosión en el que se encuentren líquidos, gases o polvos inflamables.** Las herramientas eléctricas producen chispas que pueden llegar a inflamar los materiales en polvo o vapores.
- ▶ **Mantenga alejados a los niños y otras personas de su puesto de trabajo al emplear la herramienta eléctrica.** Una distracción le puede hacer perder el control sobre la herramienta.

Seguridad eléctrica

- ▶ **El enchufe de la herramienta eléctrica debe corresponder a la toma de corriente utilizada. No se deberá modificar el enchufe en forma alguna. No utilice enchufes adaptadores para las herramientas eléctricas con puesta a tierra.** Los enchufes sin modificar adecuados a las respectivas tomas de corriente reducen el riesgo de descarga eléctrica.
- ▶ **Evite el contacto corporal con superficies que tengan puesta a tierra, como pueden ser tubos, calefacciones, cocinas y frigoríficos.** El riesgo a quedar expuesto a una sacudida eléctrica es mayor si su cuerpo tiene contacto con tierra.
- ▶ **No exponga las herramientas eléctricas a la lluvia y evite que penetren líquidos en su interior.** El riesgo de recibir descargas eléctricas aumenta si penetra agua en la herramienta eléctrica.
- ▶ **No utilice el cable de conexión para transportar o colgar la herramienta eléctrica ni tire de él para extraer el enchufe de la toma de corriente. Mantenga el cable de conexión alejado de fuentes de calor, aceite, aristas afiladas o piezas móviles.** Los cables de conexión dañados o enredados pueden provocar descargas eléctricas.
- ▶ **Cuando trabaje al aire libre con una herramienta eléctrica, utilice exclusivamente un alargador adecuado para exteriores.** La utilización de un alargador adecuado para su uso en exteriores evita el riesgo de una descarga eléctrica.



- ▶ **Cuando no pueda evitarse el uso de la herramienta eléctrica en un entorno húmedo, utilice un interruptor de corriente de defecto.** La utilización de un interruptor de corriente de defecto evita el riesgo de una descarga eléctrica.

Seguridad de las personas

- ▶ **Permanezca atento, preste atención durante el trabajo y utilice la herramienta eléctrica con prudencia. No utilice una herramienta eléctrica si está cansado, ni tampoco después de haber consumido alcohol, drogas o medicamentos.** Un momento de descuido al utilizar la herramienta eléctrica podría producir graves lesiones.
- ▶ **Utilice el equipo de seguridad personal adecuado y lleve siempre gafas protectoras.** El riesgo de lesiones se reduce considerablemente si, según el tipo y la aplicación de la herramienta eléctrica empleada, se utiliza un equipo de seguridad personal adecuado como una mascarilla antipolvo, zapatos de seguridad con suela antideslizante, casco de protección o protección para los oídos.
- ▶ **Evite una puesta en servicio fortuita de la herramienta. Asegúrese de que la herramienta eléctrica está apagada antes de alzarla, transportarla, conectarla a la toma de corriente o insertar la batería.** Si transporta la herramienta eléctrica sujetándola por el interruptor de conexión/desconexión o si introduce el enchufe en la toma de corriente con la herramienta conectada, podría producirse un accidente.
- ▶ **Retire las herramientas de ajuste o llaves fijas antes de conectar la herramienta eléctrica.** Una herramienta o llave colocada en una pieza giratoria puede producir lesiones al ponerse en funcionamiento.
- ▶ **Evite adoptar posturas forzadas. Procure que la postura sea estable y manténgase siempre en equilibrio.** De esta forma podrá controlar mejor la herramienta eléctrica en caso de presentarse una situación inesperada.
- ▶ **Utilice ropa adecuada. No utilice vestimenta amplia ni joyas. Mantenga su pelo, vestimenta y guantes alejados de las piezas móviles.** La vestimenta suelta, las joyas y el pelo largo se pueden enganchar con las piezas en movimiento.
- ▶ **Siempre que sea posible montar equipos de aspiración o captación de polvo, asegúrese de que están conectados y de que se utilizan correctamente.** El uso de un sistema de aspiración de polvo reduce los riesgos derivados del polvo.
- ▶ **No se crea a salvo de cualquier riesgo ni pase por alto ninguna de las normas de seguridad relativas a las herramientas eléctricas, aun cuando esté familiarizado con la herramienta eléctrica y tenga larga experiencia en su uso.** Una actuación negligente puede provocar lesiones graves en cuestión de segundos.

Uso y manejo de la herramienta eléctrica

- ▶ **No sobrecargue la herramienta. Utilice la herramienta eléctrica adecuada para el trabajo que se dispone a realizar.** Con la herramienta eléctrica apropiada podrá trabajar mejor y de modo más seguro dentro del margen de potencia indicado.
- ▶ **No utilice herramientas eléctricas con el interruptor defectuoso.** Las herramientas eléctricas que no se pueden conectar o desconectar son peligrosas y deben repararse.
- ▶ **Extraiga el enchufe de la toma de corriente o retire la batería extraíble antes de efectuar cualquier ajuste en la herramienta, cambiar accesorios o en caso de no utilizar la herramienta durante un tiempo prolongado.** Esta medida preventiva evita el riesgo de arranque accidental de la herramienta eléctrica.
- ▶ **Guarde las herramientas eléctricas que no utilice fuera del alcance de los niños. No permita utilizar la herramienta a ninguna persona que no esté familiarizada con ella o que no haya leído este manual de instrucciones.** Las herramientas eléctricas utilizadas por personas inexpertas son peligrosas.
- ▶ **Cuide su herramienta eléctrica y los accesorios adecuadamente. Compruebe si las piezas móviles de la herramienta funcionan correctamente y sin atascarse, y si existen piezas rotas o deterioradas que pudieran afectar al funcionamiento de la herramienta eléctrica. Encargue la reparación de las piezas defectuosas antes de usar la herramienta eléctrica.** Muchos accidentes son consecuencia de un mantenimiento inadecuado de la herramienta eléctrica.
- ▶ **Mantenga los útiles limpios y afilados.** Las herramientas de corte bien cuidadas y con aristas afiladas se atascan menos y se guían con más facilidad.
- ▶ **Utilice la herramienta eléctrica, los accesorios, útiles de inserción, etc., de acuerdo con estas instrucciones. Para ello, tenga en cuenta las condiciones de trabajo y la tarea que se va a realizar.** El uso de herramientas eléctricas para trabajos diferentes de aquellos para los que han sido concebidas puede resultar peligroso.
- ▶ **Mantenga las empuñaduras y las superficies de contacto secas, limpias y sin residuos de aceite o grasa.** Las empuñaduras y superficies de contacto resbaladizas impiden manejar y controlar la herramienta eléctrica con seguridad en situaciones imprevistas.



Servicio Técnico

- ▶ **Solicite que un profesional lleve a cabo la reparación de su herramienta eléctrica y que utilice exclusivamente piezas de repuesto originales.** Solamente así se garantiza la seguridad de la herramienta eléctrica.

2.2 Indicaciones de seguridad para perforadoras de diamante

- ▶ **Al realizar trabajos de perforación que requieran el empleo de agua, evacue el agua conduciéndola fuera del área de trabajo o utilice un dispositivo colector de líquidos.** Este tipo de medidas de precaución contribuyen a mantener seca el área de trabajo y reducir el riesgo de descargas eléctricas.
- ▶ **Sujete la herramienta eléctrica por las empuñaduras aisladas cuando realice trabajos en los que la herramienta de corte pueda entrar en contacto con cables eléctricos ocultos o con el propio cable de conexión de la herramienta.** El contacto de la herramienta de corte con cables conductores puede traspasar la conductividad a las partes metálicas de la herramienta eléctrica y provocar descargas eléctricas.
- ▶ **Utilice protección para los oídos al perforar con diamante.** El ruido constante puede reducir la capacidad auditiva.
- ▶ **En caso de que el útil de inserción se bloquee, interrumpa el avance y desconecte la herramienta.** Examine el motivo del atasco y elimine la causa de que se bloqueen los útiles de inserción.
- ▶ **Si quiere volver a arrancar una perforadora de diamante que esté insertada en la pieza de trabajo, antes de conectarla compruebe si el útil de inserción gira libremente.** Si el útil de inserción está atascado, es posible que no gire, lo que puede provocar una sobrecarga de la herramienta o que la perforadora de diamante se desprenda de la pieza de trabajo.
- ▶ **Si la fijación del soporte a la pieza de trabajo se efectúa mediante taco y tornillos, asegúrese de que el anclaje utilizado tiene capacidad para retener la máquina con seguridad durante su uso.** Si la pieza de trabajo no presenta resistencia o es porosa, puede tener como consecuencia que el taco se salga y el soporte se suelte de la pieza de trabajo.
- ▶ **Si la fijación del soporte a la pieza de trabajo se efectúa mediante una placa de vacío, asegúrese de que la superficie sea lisa y esté limpia y sin porosidades. No fije el soporte a superficies laminadas, como pueden ser azulejos o revestimientos de materiales compuestos.** Si la superficie de la pieza de trabajo no es lisa y plana, o no está correctamente fijada, la placa de vacío podría soltarse de la pieza de trabajo.
- ▶ **Antes de comenzar a perforar y durante la perforación, asegúrese de que la presión negativa es suficiente.** Si la presión negativa no es suficiente, la placa de vacío podría soltarse de la pieza de trabajo.
- ▶ **No realice nunca perforaciones por encima de la cabeza o a través de la pared si la máquina está fijada solamente con la placa de vacío.** Si se produce una pérdida de vacío, la placa de vacío se soltará de la pieza de trabajo.
- ▶ **Al perforar a través de paredes o techos, asegúrese de que al otro lado están protegidas tanto las personas como el área de trabajo.** La corona de perforación podría atravesar y sobresalir del taladro y el testigo caer al otro lado.
- ▶ **En los trabajos de perforación por encima de la cabeza utilice siempre el dispositivo colector de líquidos que se indica en el manual de instrucciones. Asegúrese de que no penetra agua en la herramienta.** El riesgo de recibir descargas eléctricas aumenta si penetra agua en la herramienta eléctrica.

2.3 Indicaciones de seguridad adicionales**Seguridad de las personas**

- ▶ **No está permitido efectuar manipulaciones o modificaciones en la herramienta.**
- ▶ **La herramienta no es adecuada para personas con poca fuerza a las que no se haya instruido.**
- ▶ Mantenga la herramienta fuera del alcance de los niños.
- ▶ **Evite tocar las piezas en movimiento. No conecte la herramienta fuera de la zona de trabajo.** Si se tocan piezas en movimiento, en especial herramientas rotativas, pueden ocasionarse lesiones.
- ▶ **Evite que la piel entre en contacto con el lodo de perforación.**
- ▶ El polvo procedente de materiales como pinturas con plomo, determinadas maderas, hormigón/mampostería/rocas con cuarzo, así como minerales y metal puede ser nocivo para la salud. El contacto con el polvo o su inhalación puede provocar reacciones alérgicas o asfixia al usuario o a personas que se encuentren en su entorno. Existen determinados tipos de polvo, como puede ser el de roble o el de haya, catalogados como cancerígenos, especialmente si se encuentra mezclado con aditivos usados en el tratamiento de la madera (cromato, agente protector para la madera). Únicamente expertos cualificados están autorizados a manipular materiales que contengan asbesto. Utilice siempre que sea posible un sistema efectivo de aspiración de polvo. Para ello, utilice un aspirador de polvo



apto para madera y polvo mineral recomendado por **Hilti** y compatible con esta herramienta eléctrica. Procure una buena ventilación del lugar de trabajo. Se recomienda utilizar una mascarilla adecuada para cada clase de polvo. Respete la normativa vigente en su país relativa a los materiales que se van a procesar.

- ▶ La perforadora de diamante y la corona perforadora de diamante son pesadas. Pueden aplastarse partes del cuerpo. **El usuario y las personas que se encuentren en las inmediaciones de la zona de uso deben llevar equipo de protección adecuado: gafas protectoras, casco de protección, protección para los oídos, guantes de protección y calzado de seguridad.**

Manipulación y utilización segura de las herramientas eléctricas

- ▶ **Asegúrese de que la herramienta está debidamente sujeta en el soporte.**
- ▶ **Asegúrese de que haya siempre un tope final montado en el soporte. De lo contrario, no se dispone de la función de tope final, importante para la seguridad.**
- ▶ **Compruebe si los útiles disponen del sistema de inserción adecuado para la herramienta y si están enclavados en el portátiles conforme a las prescripciones.**

Seguridad eléctrica

- ▶ **Es preciso evitar los alargadores con cajas de enchufes múltiples y el funcionamiento simultáneo de varias herramientas.**
- ▶ **La herramienta debe conectarse únicamente a redes que dispongan de conductor de puesta a tierra y dimensionado suficiente.**
- ▶ **Compruebe antes de empezar a trabajar si la zona de trabajo oculta cables eléctricos, tuberías de gas o cañerías de agua, por ejemplo, con un detector de metales.** Las partes metálicas exteriores de la herramienta pueden pasar a conducir electricidad si, por ejemplo, se ha dañado por error un cable eléctrico. Dichas partes suponen un peligro serio por el riesgo de una descarga eléctrica.
- ▶ **Cerciórese de que el cable de red no resulte dañado con el avance del carro.**
- ▶ **No utilice jamás la herramienta sin el PRCD suministrado (para herramientas sin PRCD, nunca sin transformador de separación). Compruebe el PRCD antes de su uso.**
- ▶ **Compruebe con regularidad el cable de conexión de la herramienta y, en caso de que presentara daños, encargue su sustitución a un profesional experto en la materia. Si el cable de conexión de la herramienta eléctrica está dañado, debe reemplazarse por un cable especial homologado que encontrará en nuestro Servicio Posventa. Inspeccione regularmente los alargadores y sustitúyalos en caso de que estuvieran dañados. Si se daña el cable de red o el alargador durante el trabajo, evite tocar el cable. Extraiga el enchufe de red de la toma de corriente. Los cables de conexión y los alargadores dañados suponen un peligro, pues pueden ocasionar una descarga eléctrica.**
- ▶ **No utilice nunca una herramienta sucia o mojada.** El polvo adherido en la superficie de la herramienta, sobre todo el de los materiales conductores, o la humedad pueden provocar descargas eléctricas bajo condiciones desfavorables. Por lo tanto, lleve con regularidad a revisar al Servicio Técnico de **Hilti** la herramienta sucia, sobre todo si se ha usado con frecuencia para trabajar con materiales conductores.

Lugar de trabajo

- ▶ **Encargue la autorización de los trabajos de perforación a la dirección de la obra.** Las perforaciones en edificios y otras estructuras pueden influir en la estática, especialmente al seccionar hierros de armadura o elementos portadores.
- ▶ **Si el soporte no está adecuadamente fijado, baje completamente la herramienta montada en el soporte para evitar que vuelque.**
- ▶ **Mantenga alejados el cable de red, el alargador, el tubo flexible de aspiración y de vacío de las partes rotatorias.**
- ▶ **Para realizar taladros en húmedo hacia arriba se requiere el sistema colector de agua en combinación con un aspirador en húmedo.**
- ▶ **La fijación al vacío está prohibida cuando se perfora hacia arriba si no va acompañada de una fijación adicional.**
- ▶ **En perforaciones horizontales con fijación al vacío (accesorios) no se puede utilizar el soporte sin el dispositivo de seguridad adicional.**

3 Descripción

3.1 Uso conforme a las prescripciones

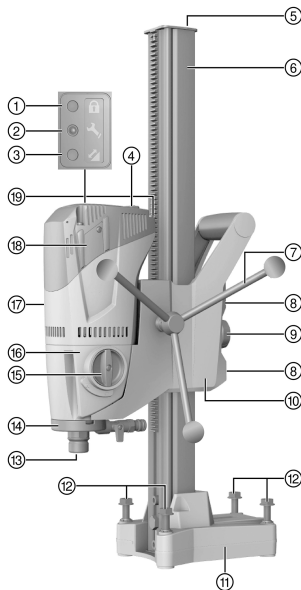
El producto descrito es una perforadora de diamante eléctrica. Está indicada para realizar perforaciones pasantes o ciegas en húmedo con recuperación de testigo en superficies minerales (armadas). **La aplicación con guiado manual de la perforadora de diamante no está permitida.**



El producto descrito ha sido diseñado para el usuario profesional y solo debe ser manejado, conservado y reparado por personal autorizado y formado adecuadamente. Este personal debe estar especialmente instruido en lo referente a los riesgos de uso. La utilización del producto descrito y sus dispositivos auxiliares puede conllevar riesgos para el usuario en caso de manejarse de forma inadecuada por personal no cualificado o utilizarse para usos diferentes a los que están destinados.

- ▶ Para el uso de la perforadora de diamante, utilice siempre un soporte. El soporte debe estar debidamente anclado a la superficie de trabajo mediante una placa base de clavija o una placa base al vacío.
- ▶ No utilice ninguna herramienta de impacto (martillo) para los trabajos de ajuste en la placa base.
- ▶ Solo debe funcionar con la frecuencia y tensión de alimentación especificada en la placa de identificación.
- ▶ Respete la normativa nacional en materia de protección laboral.
- ▶ Siga también las instrucciones de seguridad y manejo del accesorio utilizado.
- ▶ Para evitar el riesgo de lesiones, utilice exclusivamente accesorios y coronas de perforación originales de **Hilti**.

3.2 Componentes de la herramienta y elementos de manejo 1



Perforadora de diamante DD 120

- ① Indicador de protección antirrobo (opcional)
- ② Indicador de funcionamiento
- ③ Indicador de la capacidad de perforación
- ④ Interruptor de conexión y desconexión
- ⑤ Tope final
- ⑥ Raíl
- ⑦ Rueda manual
- ⑧ Tornillos de ajuste del juego de carro (4 unidades)
- ⑨ Inmovilizador del carro
- ⑩ Carro
- ⑪ Placa base de clavija
- ⑫ Tornillos de nivelación (4 unidades)
- ⑬ Portaútiles
- ⑭ Cabezal de lavado
- ⑮ Interruptor del cambio
- ⑯ Engranajes
- ⑰ Motor
- ⑱ Cubierta de las escobillas de carbón
- ⑲ Cable de red, incl. PRCD

3.2.1 Placa base al vacío (accesorio) 2

- ⑳ Husillo de sujeción
- ㉑ Conexión de vacío
- ㉒ Manómetro
- ㉓ Válvula de aireación al vacío
- ㉔ Junta de vacío

3.2.2 Fijación 3

- ㉕ Husillo de sujeción
- ㉖ Taco
- ㉗ Tuerca del husillo de sujeción

3.2.3 Sistema colector de agua 4

- ㉘ Soporte colector de agua
- ㉙ Recipiente colector de agua

3.3 Indicador de funcionamiento

El producto está equipado con un indicador de funcionamiento con señal luminosa.



3.4 Suministro

Perforadora de diamante, rueda de mano, manual de instrucciones.

El soporte se suministra por separado. Encontrará otros productos del sistema autorizados para su producto en su **Hilti Store** o en Internet, en: **www.hilti.group**.

3.5 Uso de un generador o transformador

Esta herramienta puede accionarse desde un generador o un transformador a cargo del operario, si se cumplen las siguientes condiciones: La potencia útil en vatios debe ser al menos el doble de la potencia máxima que figura en la placa de identificación de la herramienta, la tensión de servicio debe oscilar siempre entre +5 % y -15 % respecto a la tensión nominal, la frecuencia debe oscilar entre 50 y 60 Hz (nunca debe superar los 65 Hz) y debe existir, además, un regulador de tensión automático con refuerzo de arranque.



La conexión y desconexión de otras herramientas puede ocasionar picos de subtensión o sobretensión que pueden dañar la herramienta.

4 Datos técnicos

4.1 Datos técnicos

Peso (rail 600 mm) según el procedimiento EPTA 01	21,6 lb (9,8 kg)
Presión máx. admisible de la tubería de agua	90 psi (6 bar)
Número de referencia de revoluciones en vacío 1.ª velocidad	740 rpm
Número de referencia de revoluciones en vacío 2.ª velocidad	1.580 rpm
Dimensiones del soporte del rail corto (L x An x Al)	13,0 in x 5,8 in x 23,6 in (330 mm x 147 mm x 600 mm)
Dimensiones soporte del rail mediano (L x An x Al)	13,0 in x 5,8 in x 28,3 in (330 mm x 147 mm x 720 mm)
Dimensiones del soporte de rail largo (L x An x Al)	13,0 in x 5,8 in x 32,7 in (330 mm x 147 mm x 830 mm)
Clase de protección	Clase de protección I (con puesta a tierra)

4.2 Marchas y diámetros de corona de perforación correspondientes



*El diámetro de perforación de su herramienta figura en la placa de identificación.

En superficies de hormigón con pocos hierros de armadura es posible utilizar la segunda marcha hasta \varnothing 82 mm (3.5 in.) para conseguir un avance de perforación más elevado.

Velocidad	Diámetro de la corona de perforación	Velocidad de giro en vacío
1	57 ... 132 (*162)mm	740 rpm
2	16 ... 52mm	1.580 rpm



5 Preparación del trabajo



ADVERTENCIA

Riesgo de lesiones. Si la fijación del soporte no es suficientemente segura, este puede rotar o volcarse.

- ▶ Antes de usar la perforadora de diamante, fije el soporte sobre la superficie de trabajo por medio de tacos o con una placa base al vacío.
- ▶ Utilice exclusivamente tacos que sean apropiados para la superficie de trabajo en cuestión y tenga en cuenta las instrucciones de montaje del fabricante de los tacos.
- ▶ Utilice una placa base al vacío únicamente si la superficie de trabajo en cuestión resulta apropiada para sujetar el soporte mediante un dispositivo de fijación por vacío.

5.1 Monte la rueda de mano en la perforadora de diamante 4

1. Retire la chaveta e inserte la rueda de mano en el eje.
2. Asegure la rueda de mano con la chaveta.



La rueda de mano se puede colocar a ambos lados del carro.

5.2 Fijación de la perforadora de diamante en el soporte 5



PRECAUCIÓN

Riesgo de lesiones Peligro por arranque accidental de la perforadora de diamante.

- ▶ La perforadora de diamante no debe estar conectada a la red eléctrica durante los trabajos de reequipamiento.
1. Afloje el tornillo de apriete interior con la llave de hexágono interior.
 2. Retire el tope final del raíl.
 3. Suelte el inmovilizador del carro; para ello, presione del todo el botón giratorio.
 4. Coloque la perforadora de diamante en el raíl a través de la abertura prevista para ello.
 5. Para desplazar por completo la perforadora de diamante en el raíl, utilice la rueda de mano.
 6. Bloquee la perforadora de diamante girando completamente el inmovilizador del carro.
 7. Compruebe que la perforadora de diamante esté bien fijada girando levemente la rueda de mano.
 8. Monte el tope final en el raíl y compruebe que queda debidamente sujeto.



Compruebe el ajuste del juego de carro y ajústelo en caso necesario. → página 52

5.3 Fijación del soporte con taco 6



ADVERTENCIA

Riesgo de lesiones por el uso de un taco inadecuado. La herramienta puede soltarse y provocar daños.

- ▶ Utilice únicamente tacos adecuados para la superficie sobre la que se va a trabajar y tenga en cuenta las indicaciones de montaje del fabricante de los tacos.



Los tacos expansivos metálicos **Hilti** M12 son normalmente adecuados para fijar el equipamiento de la perforadora de diamante en hormigón no agrietado. Sin embargo, en determinadas condiciones puede ser necesaria una fijación alternativa. Si tiene dudas sobre cómo realizar una fijación segura, consulte al Servicio Técnico de **Hilti**.

1. Coloque a 203 mm (8 in.) desde el centro del taladro un taco adecuado para la superficie de trabajo.
2. Atornille el husillo de sujeción en el taco.
3. Desenrosque todos los tornillos de nivelación hasta que la placa base esté nivelada con la superficie de trabajo.
4. Coloque el soporte sobre el husillo de sujeción y alinee el soporte.
5. Atornille la tuerca del husillo de sujeción, sin apretarla, en el husillo de sujeción.



- Nivele la placa base con los 4 tornillos de nivelación.



Todos los tornillos de nivelación deben quedar firmemente apoyados sobre la superficie de trabajo.

- Fije el soporte con la tuerca del husillo de sujeción y una (SW 19) llave de boca.
- Compruebe que el soporte esté correctamente fijado.

5.4 Fijación del soporte con la placa base al vacío (accesorio)

PELIGRO

Riesgo de lesiones por la caída de la perforadora de diamante !

- No está permitido fijar el soporte al techo utilizando solo la fijación al vacío. Se puede garantizar una fijación adicional utilizando un puntal pesado o un husillo roscado, por ejemplo.

ADVERTENCIA

Existe riesgo de lesiones si falta el control de la presión !

- Antes y durante la perforación debe asegurarse de que el indicador en el manómetro permanece en la zona verde.



Asegúrese de que la corona de perforación seleccionada no dañe la placa base al vacío.

Antes de posicionar el soporte, compruebe que hay suficiente espacio disponible para el montaje y el manejo.

Utilice la fijación al vacío solo para el uso de coronas de perforación con un diámetro ≤ 300 mm (≤ 12 in) y sin distanciador.

- Trace una línea de orientación de aprox. 800 mm (31.5 in.) de longitud desde el centro del taladro en la dirección en que deba situarse la perforadora de diamante.
- Trace una línea de marcación a 203 mm (8 in.) desde el centro del taladro, en posición vertical respecto a la línea de orientación.
- Desenrosque todos los tornillos de nivelación hasta que la placa base de clavija esté nivelada con la superficie de trabajo.
- Coloque el soporte sobre el husillo de la placa base al vacío.
 - La placa base de clavija se encuentra en los topes finales a ras de la placa base al vacío.
- Fije el soporte con la tuerca del husillo de sujeción y una SW 19 llave de boca.
- Conecte el acoplamiento de vacío de la placa base al vacío con la bomba al vacío.
- Conecte la bomba al vacío y presione la placa base al vacío contra la superficie de trabajo.
- Para alinear la perforadora de diamante, presione la válvula de aireación al vacío y manténgala pulsada.



Para realizar la alineación, utilice las marcas en la placa base de clavija y la línea de marcación.

- Suelte la válvula de aireación al vacío y presione la placa base al vacío contra la superficie de trabajo.
- Compruebe que el soporte esté correctamente fijado.
- Nivele, en caso necesario, la perforadora de diamante con los 4 tornillos de nivelación.

5.5 Instalación de la toma del agua (accesorio)

ATENCIÓN

Peligro por un uso indebido. La manguera puede quedar inservible si se utiliza indebidamente.

- Compruebe periódicamente la presencia de daños en las mangueras y asegúrese de que la presión máxima admisible de los conductos de agua no supera los 6 bar.
- Cerciórese de que el tubo flexible no entre en contacto con piezas móviles.
- Cerciórese de que el tubo flexible no resulte dañado con el avance del carro.
- Temperatura máxima del agua: 40 °C.
- Compruebe que el sistema de agua acoplado sea estanco.





Utilice únicamente agua corriente o agua sin partículas de suciedad para evitar daños en los componentes.

Es posible montar un indicador de paso (disponible como accesorio) entre la herramienta y el conducto de alimentación de agua.

1. Cierre la regulación de agua en la perforadora de diamante.
2. Conecte el suministro de agua (conexión de la manguera).

5.6 Montaje del sistema colector de agua (accesorio)



ADVERTENCIA

Peligro de descarga eléctrica. Si la aspiración no funciona correctamente, puede haber agua sobre el motor y la cubierta.

- ▶ Interrumpa inmediatamente el trabajo si la aspiración no funciona.



PRECAUCIÓN

Riesgo de lesiones. Arranque involuntario del producto.

- ▶ Extraiga el enchufe de red antes de realizar ajustes en la herramienta o de cambiar accesorios.



Al taladrar hacia arriba, la perforadora de diamante debe estar en un ángulo de 90° con respecto al techo. El disco de estanqueidad del sistema colector de agua debe ajustarse al diámetro de la corona perforadora de diamante.

La utilización del sistema colector de agua permite efectuar una evacuación selectiva del agua y evitar así la suciedad extrema del entorno.

1. Retire el tornillo del soporte.
2. Monte el soporte colector de agua con el tornillo en el soporte.
3. Coloque el recipiente colector de agua, con la junta y el disco de estanqueidad del colector de agua montados, entre los dos brazos móviles del soporte colector de agua.
4. Fije el recipiente colector de agua a la superficie de trabajo con ayuda de los dos tornillos del soporte colector de agua.
5. Conecte un aspirador en húmedo en el recipiente colector de agua o establezca una conexión de manguera que permita la salida del agua.

5.7 Colocación de la corona perforadora de diamante (portaútiles BI+)



PELIGRO

Riesgo de lesiones Los fragmentos que pueden desprenderse de la pieza de trabajo o las herramientas rotas pueden salir despedidos y provocar lesiones incluso fuera de la zona de trabajo.

- ▶ No utilice herramientas dañadas. Antes de utilizar la herramienta, compruebe si hay indicios de desprendimiento, agrietamiento, desgaste o de deterioro grave.



PRECAUCIÓN

Riesgo de lesiones. Arranque involuntario del producto.

- ▶ Extraiga el enchufe de red antes de realizar ajustes en la herramienta o de cambiar accesorios.



Las coronas perforadoras de diamante deben sustituirse cuando su capacidad de corte o de avance de perforación disminuya notablemente. En general esto sucede cuando la altura del segmento de diamante es inferior a 2 mm (1/16 in).

Los portaútiles C-Rod, A-Rod, M27 y BR se accionan mediante una llave de boca SW 27.

1. Bloquee la perforadora de diamante girando completamente el inmovilizador del carro.
2. Abra el portaútiles (BI+) girando en dirección al símbolo de la abrazadera abierta.
3. Introduzca el sistema de inserción de la corona perforadora de diamante desde abajo en el dentado del portaútiles de la perforadora de diamante.



4. Cierre el portaútiles girando en la dirección del símbolo de la abrazadera cerrada.
5. Compruebe que la corona perforadora de diamante esté firmemente asentada en el portaútiles.

5.8 Selección de la velocidad

PRECAUCIÓN

Peligro por desgaste Riesgo de dañar el engranaje

- ▶ No conectar en funcionamiento. Espere a que el husillo se detenga por completo.

1. Seleccione la posición del interruptor en función del diámetro de la corona de perforación empleada.
2. Gire el interruptor girando simultáneamente a mano la corona de perforación hasta alcanzar la posición recomendada.

5.9 Extracción de la corona perforadora de diamante (portaútiles BI+)

PELIGRO

Riesgo de lesiones Los fragmentos que pueden desprenderse de la pieza de trabajo o las herramientas rotas pueden salir despedidos y provocar lesiones incluso fuera de la zona de trabajo.

- ▶ No utilice herramientas dañadas. Antes de utilizar la herramienta, compruebe si hay indicios de desprendimiento, agrietamiento, desgaste o de deterioro grave.

PRECAUCIÓN

Riesgo de lesiones. Arranque involuntario del producto.

- ▶ Extraiga el enchufe de red antes de realizar ajustes en la herramienta o de cambiar accesorios.



Para portaútiles C-Rod, A-Rod, M27 y BR, bloquee el eje de la herramienta con una llave de boca SW 27 y retire la corona de perforación seguidamente con una llave de boca adecuada.

1. Bloquee la perforadora de diamante girando completamente el inmovilizador del carro.
2. Abra el portaútiles (BI+) girando en dirección al símbolo de la abrazadera abierta.
3. Extraiga el casquillo de accionamiento en la dirección que indica la flecha de la herramienta para desbloquear la corona de perforación.
4. Retire la corona de perforación del portaútiles (BI+).

6 Manejo

6.1 Protección antirrobo TPS (opcional)

Su producto puede estar equipado opcionalmente con la función de protección antirrobo TPS. A continuación, sólo se podrá activar y manejar con la correspondiente llave.

6.2 Herramienta con protección antirrobo TPS activada

1. Conecte el enchufe de la perforadora de diamante en la toma de corriente.
2. Presione el botón «Reset» o la tecla «I» del interruptor de corriente de defecto PRCD.
 - ↳ La luz de la protección antirrobo se enciende.
3. Mantenga la llave de activación directamente en el símbolo del cerrojo.
 - ↳ El diodo amarillo de la protección antirrobo se apaga y la herramienta está activada.



Si se interrumpe la alimentación eléctrica, la operatividad del producto se mantiene durante aprox. 20 minutos. Si la interrupción fuera más larga, vuelva a desactivar la protección antirrobo con la llave de activación.

6.3 Interruptor de corriente de defecto PRCD

1. Conecte el enchufe de red de la perforadora de diamante en una toma de corriente con conexión de puesta a tierra.
2. Presione el botón «I» o «RESET» del interruptor de corriente de defecto PRCD.
 - ↳ El indicador se enciende.



2215140

3. Presione el botón «0» o «TEST» del interruptor de corriente de defecto PRCD.
 - ↳ El indicador se apaga.

ADVERTENCIA

Riesgo de lesiones por una descarga eléctrica. Si el indicador del interruptor de corriente de defecto no se suelta al pulsar el botón **0** o **TEST**, no se puede seguir utilizando la perforadora de diamante.

▶ Encargue la reparación de la perforadora de diamante al Servicio Técnico de **Hilti**.

4. Presione el botón «I» o «RESET» del interruptor de corriente de defecto PRCD.
 - ↳ El indicador se enciende.

6.4 Uso de la perforadora de diamante sin el aspirador en húmedo

1. Abra lentamente la regulación de agua hasta que fluya el volumen de agua deseado.



La perforadora de diamante se puede utilizar con y sin sistema colector de agua. Con sistema colector de agua, el agua es desviada través de un tubo flexible; sin sistema colector de agua, esta fluye de forma incontrolada. Si se utiliza con sistema colector de agua, coloque en primer lugar el sistema colector de agua → página 48.

En ambos casos, no está permitido realizar perforaciones hacia arriba.

2. Presione el interruptor de conexión y desconexión para situarlo en "I".
3. Suelte el inmovilizador del carro.
4. Gire la corona perforadora de diamante con la rueda de mano hasta la superficie de trabajo.
5. Al empezar a taladrar, presione ligeramente hasta que se centre la corona de perforación y, a continuación, aumente la presión de apriete.
6. Tenga en cuenta el indicador de la capacidad de perforación.



Al principio, el indicador de la capacidad de perforación se enciende en naranja. La potencia de perforación ideal se alcanza cuando el indicador de la capacidad de perforación se ilumina en verde. Si el indicador de la capacidad de perforación está en rojo, reduzca la presión de apriete.

6.5 Uso de la perforadora de diamante con el aspirador en húmedo

ADVERTENCIA

Peligro de descarga eléctrica. Si la aspiración no funciona correctamente, puede haber agua sobre el motor y la cubierta.

▶ Interrumpa inmediatamente el trabajo si la aspiración no funciona.

1. Monte el sistema colector de agua → página 48 y conecte el aspirador en húmedo.
2. Conecte el aspirador en húmedo, no utilice el modo automático.
3. Abra lentamente la regulación de agua hasta que fluya el volumen de agua deseado.
4. Presione el interruptor de conexión y desconexión para situarlo en "I".
5. Suelte el inmovilizador del carro.
6. Gire la corona perforadora de diamante con la rueda de mano hasta la superficie de trabajo.
7. Al empezar a taladrar, presione ligeramente hasta que se centre la corona de perforación y, a continuación, aumente la presión de apriete.
8. Tenga en cuenta el indicador de la capacidad de perforación.



Al principio, el indicador de la capacidad de perforación se enciende en naranja. La potencia de perforación ideal se alcanza cuando el indicador de la capacidad de perforación se ilumina en verde. Si el indicador de la capacidad de perforación está en rojo, reduzca la presión de apriete.

6.6 Actuación en caso de atascamiento de la corona perforadora

En caso de atasco, se activa en primer lugar el acoplamiento de deslizamiento. A continuación, el sistema electrónico desconecta el motor y lo vuelve a conectar automáticamente dos veces sin intervención manual del usuario. Si aun así no se consigue desatascar, el sistema electrónico desconecta el motor durante 90 segundos. Puede desatascarlo de forma manual realizando las siguientes acciones:

6.6.1 Extracción de la corona perforadora mediante llave de boca

1. Extraiga el enchufe de red de la toma de corriente.



2. Sujete la corona perforadora de diamante por la zona próxima al extremo de inserción con una llave de boca adecuada y suelte la corona girando la llave.
3. Inserte el enchufe de red en la toma de corriente.
4. Continúe con el proceso de perforación.

6.6.2 Extracción de la corona de perforación con la rueda de mano

1. Extraiga el enchufe de red de la toma de corriente.
2. Retire la corona perforadora de la superficie de trabajo con la rueda manual.
3. Inserte el enchufe de red en la toma de corriente.
4. Continúe con el proceso de perforación.

6.7 Desconexión de la perforadora de diamante **10**

ADVERTENCIA

Peligro para las personas y el material Al taladrar hacia arriba la corona perforadora de diamante se llena de agua. La perforadora de diamante puede resultar dañada y aumenta el riesgo de recibir una descarga eléctrica.

- ▶ Una vez terminado el proceso de taladrado hacia arriba deberá evacuar inmediatamente el agua con mucho cuidado. Para ello debe separarse el suministro de agua en la regulación de agua y evacuar el agua mediante la apertura de la regulación de agua. El agua no debe evacuarse por encima del motor ni de la cubierta.

1. Cierre la regulación de agua en la perforadora de diamante.
2. Extraiga la corona perforadora de diamante del taladro.
3. Bloquee la perforadora de diamante con el inmovilizador del carro.
4. Desconecte la perforadora de diamante.
5. Desconecte el aspirador en húmedo, si lo hubiera.

6.8 Desmontaje de la perforadora de diamante

1. Extraiga el enchufe de red de la toma de corriente.
2. Para retirar la corona de perforación, véase el capítulo «Desmontaje de la corona perforadora de diamante» → página 49.
3. Retire el testigo en caso necesario.
4. Desmonte la perforadora de diamante de la superficie de trabajo.



Para desmontar el sistema en una pieza, se recomienda, tras su desconexión, bajar la herramienta al raíl completamente hasta que la corona de perforación esté en contacto con la superficie de trabajo. De esta forma, se evita la caída de la perforadora de diamante.

7 Cuidado y mantenimiento

7.1 Cuidado y mantenimiento

ADVERTENCIA

Peligro de descarga eléctrica. La realización de tareas de cuidado y mantenimiento con el enchufe conectado a la toma de corriente de puede provocar lesiones y quemaduras graves.

- ▶ Extraiga siempre el enchufe de la toma de corriente antes de realizar cualquier tarea de cuidado y mantenimiento.

Cuidado

- Retire con cuidado la suciedad fuertemente adherida.
- Limpie cuidadosamente las rejillas de ventilación con un cepillo seco.
- Limpie la carcasa utilizando únicamente un paño ligeramente humedecido. No utilice limpiadores que contengan silicona, ya que podría afectar a las piezas de plástico.



Mantenimiento

ADVERTENCIA

Riesgo de descarga eléctrica. Las reparaciones indebidas en componentes eléctricos pueden producir lesiones graves y quemaduras.

- ▶ Las reparaciones de la parte eléctrica sólo puede llevarlas a cabo un técnico electricista cualificado.
- Compruebe con regularidad si las piezas visibles están dañadas o si los elementos de manejo funcionan correctamente.
- No utilice el producto si presenta daños o fallos que afecten al funcionamiento. Llévela de inmediato al Servicio Técnico de **Hilti** para que la reparen.
- Coloque todos los dispositivos de protección después de las tareas de cuidado y mantenimiento y compruebe su correcto funcionamiento.



Para garantizar un correcto funcionamiento, utilice exclusivamente piezas de repuesto y material de consumo originales. Puede encontrar piezas de repuesto, consumibles y accesorios para su producto que nosotros mismos comercializamos en **Hilti Store** o en: www.hilti.group.

7.2 Ajuste del juego entre el raíl y el carro

1. Apriete manualmente los tornillos de ajuste del juego de carro con una llave de hexágono interior.

Datos técnicos	
Par de apriete	5 Nm

2. Afloje de nuevo los tornillos de ajuste con un cuarto de giro.
3. El carro está debidamente ajustado si permanece en su posición sin una corona perforadora de diamante y se desplaza hacia abajo cuando tiene una corona perforadora de diamante.

7.3 Sustitución de las escobillas de carbón

ADVERTENCIA

Riesgo de lesiones por una descarga eléctrica !

- ▶ Las operaciones de manejo, mantenimiento y reparación de la herramienta correrán a cargo exclusivamente de personal debidamente cualificado. Este personal debe estar especialmente instruido en lo referente a los riesgos de uso.

ADVERTENCIA

Peligro de descarga eléctrica. La realización de tareas de cuidado y mantenimiento con el enchufe conectado a la toma de corriente de puede provocar lesiones y quemaduras graves.

- ▶ Extraiga siempre el enchufe de la toma de corriente antes de realizar cualquier tarea de cuidado y mantenimiento.

1. Abra las cubiertas de las escobillas de carbón a la izquierda y a la derecha del motor.
2. **Asegúrese de que las escobillas de carbón y las trencillas quedan bien montadas.** Extraiga de la perforadora de diamante las escobillas de carbón usadas.
3. Coloque las nuevas escobillas de carbón tal y como estaban colocadas las antiguas.



Al montarlas, cerciórese de que no dañe el aislante de las trencillas de señalización.

4. Atornille las cubiertas de las escobillas de carbón a la izquierda y a la derecha del motor.
5. Deje que las escobillas de carbón funcionen en marcha en vacío al menos un minuto de forma ininterrumpida.
 - ↳ El indicador luminoso se apaga transcurrido aprox. 1 minuto de funcionamiento.

8 Transporte y almacenamiento

Transporte

- ▶ No transporte este producto con el útil insertado.
- ▶ Asegúrese de que durante el transporte esté bien sujeto.



- ▶ Compruebe tras cada transporte si las piezas visibles están dañadas o si los elementos de manejo funcionan correctamente.

Almacenamiento

- ▶ Almacene este producto siempre con los enchufes desconectados.
- ▶ Guarde este producto en un lugar seco y fuera del alcance de niños y personas no autorizadas.
- ▶ Cuando lleve mucho tiempo almacenado, compruebe si las piezas visibles están dañadas y si los elementos de manejo funcionan correctamente.

8.1 Transporte de la perforadora de diamante

ADVERTENCIA

Riesgo de lesiones. Algunas piezas podrían soltarse y caer.




- ▶ No cuelgue la perforadora de diamante o el soporte en una grúa.

- ▶ Transporte la perforadora de diamante, el soporte y la corona de perforación por separado.
 - ↳ Para facilitar el transporte, inserte el dispositivo de avance (accesorios).
- ▶ Abra la regulación de agua antes de almacenar la perforadora de diamante.



9 Ayuda en caso de averías

- ▶ Si se producen averías que no estén incluidas en esta tabla o que no pueda solucionar usted, diríjase al Servicio Técnico de Hilti.


9.1 La perforadora de diamante no está lista para funcionar.

Anomalía	Posible causa	Solución
 <p>El indicador de funcionamiento no muestra nada.</p>	PRCD sin encender.	▶ Compruebe si funciona el PRCD y conéctelo.
	Interrumpido el suministro de corriente.	▶ Conecte otra herramienta eléctrica y compruebe si funciona. ▶ Compruebe los conectores, el cable de red, el cable eléctrico y el fusible de la red.
	Interruptor de conexión y desconexión defectuoso.	▶ En caso necesario, encargar la reparación de la herramienta al servicio técnico de Hilti.
	Electrónica defectuosa.	▶ En caso necesario, encargar la reparación de la herramienta al servicio técnico de Hilti.
	Hay agua en el motor.	▶ Deje la perforadora de diamante en un lugar caliente y seco para que se seque por completo.
 <p>El indicador de funcionamiento se ilumina.</p>	Escobillas de carbón desgastadas.	▶ Sustituya las escobillas de carbón. → página 52
 <p>El indicador de funcionamiento parpadea.</p>	Error de número de revoluciones.	▶ En caso necesario, encargar la reparación de la herramienta al servicio técnico de Hilti.



Anomalía	Posible causa	Solución
 <p>El indicador de la capacidad de perforación parpadea en rojo.</p>	Motor sobrecalentado.	<ul style="list-style-type: none"> ▶ Espere unos minutos hasta que se enfríe el motor o deje la perforadora de diamante funcionando en marcha en vacío para acelerar el proceso de enfriamiento. Desconecte la perforadora de diamante y, a continuación, vuévala a conectar.
	Error por sobrecarga.	<ul style="list-style-type: none"> ▶ Desconecte la perforadora de diamante y, a continuación, vuévala a conectar.
 <p>El indicador de protección antirrobo parpadea.</p>	Perforadora de diamante no desbloqueada (en caso de perforadoras de diamante con protección antirrobo, opcional).	<ul style="list-style-type: none"> ▶ Desbloquee la perforadora de diamante con la llave de activación.

9.2 La perforadora de diamante está lista para funcionar.

Anomalía	Posible causa	Solución
 <p>El indicador de funcionamiento se ilumina.</p>	El límite de desgaste de las escobillas de carbón está a punto de alcanzarse. La perforadora de diamante seguirá funcionando unas horas antes de desconectarse de forma automática.	<ul style="list-style-type: none"> ▶ Cambie las escobillas de carbón cuando se presente la próxima oportunidad.
La perforadora de diamante no funciona con la potencia óptima.	Avería en la red: se ha producido una bajada de tensión en la red eléctrica.	<ul style="list-style-type: none"> ▶ Compruebe si hay otros consumidores que estén perturbando el funcionamiento de la red o el generador. ▶ Compruebe la longitud del alargador empleado.
La corona perforadora de diamante no gira.	Interruptor del cambio no enclavado.	<ul style="list-style-type: none"> ▶ Presione el interruptor del cambio hasta que quede enclavado.
	La corona perforadora de diamante se ha atascado en la superficie de trabajo.	<ul style="list-style-type: none"> ▶ Extracción de la corona perforadora de diamante con la llave de boca: Extraiga el enchufe de red de la toma de corriente. Sujete la corona perforadora de diamante por la zona próxima al extremo de inserción con una llave de boca adecuada y suelte la corona girando la llave.
	Engranajes defectuosos.	<ul style="list-style-type: none"> ▶ Taladrado guiado con soporte ▶ Gire la ruedecilla e intente extraer la corona perforadora de diamante con un movimiento del carro hacia delante y hacia atrás. ▶ En caso necesario, encargar la reparación de la herramienta al servicio técnico de Hilti.
La velocidad de perforación disminuye.	Profundidad máxima de perforación alcanzada.	<ul style="list-style-type: none"> ▶ Retire el testigo y utilice el alargador de la corona de perforación.



Anomalia	Posible causa	Solución
La velocidad de perforación disminuye.	El testigo se atasca en la corona perforadora de diamante.	► Retire el testigo.
	Especificación incorrecta para la superficie de trabajo.	► Seleccione una especificación correcta para la corona perforadora de diamante.
	Proporción de acero elevada (se detecta porque en el agua se aprecian virutas de metal).	► Seleccione una especificación correcta para la corona perforadora de diamante.
	La corona perforadora de diamante está defectuosa.	► Compruebe la presencia de daños en la corona perforadora de diamante y sustitúyala en caso necesario.
	Se ha seleccionado la velocidad incorrecta.	► Seleccione la velocidad correcta.
	Fuerza de apriete demasiado baja.	► Aumente la fuerza de apriete.
	Potencia de la herramienta demasiado baja.	► Seleccione la siguiente marcha más baja.
	Corona perforadora de diamante pulida.	► Afíle la corona perforadora de diamante en la placa de afilado.
	Volumen de agua demasiado elevado.	► Reduzca el volumen de agua con el mecanismo de regulación de agua.
	Volumen de agua insuficiente.	► Compruebe la entrada de agua a la corona perforadora de diamante o aumente el volumen de agua con el mecanismo de regulación de agua.
	Freno cerrado.	► Abra el freno.
El acoplamiento de deslizamiento se desacopla muy pronto o patina.	► En caso necesario, encargar la reparación de la herramienta al servicio técnico de Hilti.	
La ruedecilla gira sin oponer resistencia.	Chaveta rota.	► Sustituya la chaveta.
No es posible colocar la corona perforadora de diamante en el portaútiles.	Extremo de inserción/portaútiles sucio o dañado.	► Limpie el extremo de inserción o el portaútiles y engráselos o sustitúyalos en caso necesario.
Sale agua del cabezal de lavado o de la carcasa de los engranajes.	Presión del agua demasiado alta.	► Reduzca la presión del agua.
Sale agua del portaútiles durante el funcionamiento.	La corona perforadora de diamante no está correctamente atornillada al portaútiles.	► Fije con más fuerza la corona perforadora de diamante. ► Retire la corona perforadora de diamante. Gire la corona perforadora de diamante aproximadamente 90° sobre el eje de la corona. Vuelva a colocar la corona perforadora de diamante.
	Extremo de inserción/portaútiles sucio.	► Limpie y engrase el extremo de inserción o el portaútiles.
	Junta del portaútiles o del extremo de inserción defectuosa.	► Compruebe la junta y sustitúyala en caso necesario.



Anomalia	Posible causa	Solución
El sistema de perforación tiene demasiado juego.	La corona perforadora de diamante no está correctamente atornillada al portaútiles.	<ul style="list-style-type: none"> ▶ Fije con más fuerza la corona perforadora de diamante. ▶ Retire la corona perforadora de diamante. Gire la corona perforadora de diamante aproximadamente 90° sobre el eje de la corona. Vuelva a colocar la corona perforadora de diamante.
	Extremo de inserción/portaútiles defectuoso.	▶ Compruebe el extremo de inserción y el portaútiles y sustitúyalos en caso necesario.
	El carro tiene demasiado juego.	▶ Ajuste el juego entre el raíl y el carro. → página 52
	Las uniones atornilladas del soporte están sueltas.	▶ Compruebe si los tornillos del soporte están bien fijados y apriételes en caso necesario.
	El soporte no está bien fijado.	▶ Fije mejor el soporte.

10 Reciclaje

Las herramientas Hilti están fabricadas en su mayor parte con materiales reutilizables. La condición para dicha reutilización es una separación adecuada de los materiales. En muchos países, Hilti recoge las herramientas usadas para su recuperación. Pregunte en el Servicio de Atención al Cliente de Hilti o a su asesor de ventas.



- ▶ No deseche las herramientas eléctricas, los aparatos eléctricos ni las baterías junto con los residuos domésticos.

11 Garantía del fabricante

- ▶ Si tiene alguna consulta acerca de las condiciones de la garantía, póngase en contacto con su sucursal local de Hilti.



1 Indicações sobre a documentação

1.1 Sobre esta documentação

- Antes da colocação em funcionamento, leia esta documentação. Esta é a condição para um trabalho seguro e um manuseamento sem problemas.
- Tenha em atenção as instruções de segurança e as advertências nesta documentação e no produto.
- Guarde o manual de instruções sempre junto do produto e entregue-o a outras pessoas apenas juntamente com este manual.

1.2 Explicação dos símbolos

1.2.1 Advertências

As advertências alertam para perigos durante a utilização do produto. São utilizadas as seguintes palavras de aviso:

PERIGO

PERIGO !

- ▶ Indica perigo iminente que pode originar acidentes pessoais graves ou até mesmo fatais.

AVISO

AVISO !

- ▶ Indica um possível perigo que pode causar graves ferimentos pessoais, até mesmo fatais.





CUIDADO

CUIDADO !

- ▶ Indica uma situação potencialmente perigosa que pode originar ferimentos ligeiros ou danos materiais.


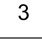


1.2.2 Símbolos na documentação

Nesta documentação são utilizados os seguintes símbolos:

	Leia o manual de instruções antes da utilização
	Instruções de utilização e outras informações úteis
	Manuseamento com materiais recicláveis
	Não deitar as ferramentas eléctricas e baterias no lixo doméstico

1.2.3 Símbolos nas figuras


Em figuras são utilizados os seguintes símbolos:

	Estes números referem-se à respectiva imagem no início deste Manual
	A numeração reproduz uma sequência dos passos de trabalho na imagem e pode divergir dos passos de trabalho no texto
	Na figura Vista geral são utilizados números de posição que fazem referência aos números da legenda na secção Vista geral do produto
	Este símbolo pretende despertar a sua atenção durante o manuseamento do produto.

1.3 Símbolos dependentes do produto

1.3.1 Sinais de obrigação

São utilizados os seguintes sinais de obrigação:

	Use óculos de protecção
---	-------------------------



	Use capacete de protecção
	Use protecção auricular
	Use luvas de protecção
	Use calçado de segurança
	Use máscara antipoeiras

1.3.2 Símbolos no produto

No produto, podem usar-se os seguintes símbolos:

	Indicador de protecção anti-roubo
	Indicador de manutenção
	Indicador de performance de perfuração
	Ligação à terra
n_0	Velocidade nominal de rotação sem carga
	Transferência de dados sem fios

1.4 Placas de indicação

Sobre coluna, placa base ou perfurador diamantado

	<p>Na base de vácuo</p> <p>Metade superior da imagem: Para perfurações horizontais com fixação por vácuo, a coluna não pode ser utilizada sem um dispositivo de segurança adicional.</p> <p>Metade inferior da imagem: Com fixação por vácuo sem dispositivo de segurança adicional, não podem ser realizadas furações para cima.</p>
	<p>No perfurador diamantado</p> <p>É obrigatória a utilização de um sistema colector de água em conjunto com um aspirador de líquidos quando se trabalha em suspensão.</p>
	<p>No perfurador diamantado</p> <p>É obrigatório usar um disjuntor de segurança PRCD.</p>

1.5 Dados informativos sobre o produto

Os produtos destinam-se ao utilizador profissional e só podem ser operados, mantidos e reparados por pessoal autorizado, devidamente qualificado. Estas pessoas deverão estar informadas em



particular sobre os potenciais perigos. O produto e seu equipamento auxiliar podem representar perigo se usados incorrectamente por pessoas não qualificadas ou se usados para fins diferentes daqueles para os quais foram concebidos.

A designação e o número de série são indicados na placa de características.

- ▶ Registe o número de série na tabela seguinte. Precisa dos dados do produto para colocar questões ao nosso representante ou posto de serviço de atendimento aos clientes.

Dados do produto

Perfurador diamantado	DD 120
Geração	01
N.º de série	

1.6 Declaração de conformidade

Declaramos sob nossa exclusiva responsabilidade que o produto aqui descrito está em conformidade com as directivas e normas em vigor. Na parte final desta documentação encontra uma reprodução do organismo de certificação.

As documentações técnicas estão aqui guardadas:

Hilti Entwicklungsgesellschaft mbH | Zulassung Geräte | Hiltistraße 6 | 86916 Kaufering, DE

2 Segurança

2.1 Normas de segurança gerais para ferramentas eléctricas

⚠ AVISO Leia todas as normas de segurança, instruções, imagens e dados técnicos, com os quais esta ferramenta eléctrica está equipada. O não cumprimento das instruções a seguir pode resultar em choque eléctrico, incêndio e/ou ferimentos graves.

Guarde bem todas as normas de segurança e instruções para futura referência.

O termo “ferramenta eléctrica” utilizado nas normas de segurança refere-se a ferramentas com ligação à corrente eléctrica (com cabo de alimentação) ou a ferramentas a bateria (sem cabo).

Segurança no posto de trabalho

- ▶ **Mantenha a sua área de trabalho limpa e bem iluminada.** Locais desarrumados ou mal iluminados podem ocasionar acidentes.
- ▶ **Não utilize a ferramenta eléctrica em ambientes explosivos ou na proximidade de líquidos ou gases inflamáveis.** Ferramentas eléctricas produzem faíscas que podem provocar a ignição de pó e vapores.
- ▶ **Mantenha crianças e terceiros afastados durante os trabalhos.** Distracções podem conduzir à perda de controlo sobre a ferramenta.

Segurança eléctrica

- ▶ **A ficha da ferramenta eléctrica deve servir na tomada. A ficha não deve ser modificada de modo algum. Não utilize quaisquer adaptadores com ferramentas eléctricas com ligação terra.** Fichas originais (não modificadas) e tomadas adequadas reduzem o risco de choque eléctrico.
- ▶ **Evite o contacto do corpo com superfícies ligadas à terra, como, por exemplo, canos, radiadores, fogões e frigoríficos.** Existe um risco elevado de choque eléctrico se o corpo estiver com ligação à terra.
- ▶ **As ferramentas eléctricas não devem ser expostas à chuva nem à humidade.** A infiltração de água numa ferramenta eléctrica aumenta o risco de choque eléctrico.
- ▶ **Não use o cabo de ligação para transportar, pendurar ou desligar a ferramenta eléctrica da tomada. Mantenha o cabo de ligação afastado de calor, óleo, arestas vivas ou partes em movimento.** Cabos de ligação danificados ou emaranhados aumentam o risco de choque eléctrico.
- ▶ **Quando operar uma ferramenta eléctrica ao ar livre, utilize apenas cabos de extensão próprios para utilização no exterior.** A utilização de um cabo de extensão próprio para utilização no exterior reduz o risco de choques eléctricos.
- ▶ **Utilize um disjuntor diferencial se não puder ser evitada a utilização da ferramenta eléctrica em ambiente húmido.** A utilização de um disjuntor diferencial reduz o risco de choque eléctrico.

Segurança física

- ▶ **Esteja alerta, observe o que está a fazer, e tenha prudência ao trabalhar com uma ferramenta eléctrica. Se estiver cansado ou sob influência de drogas, álcool ou medicamentos não efectue nenhum trabalho com ferramentas eléctricas.** Um momento de distracção ao operar a ferramenta eléctrica pode causar ferimentos graves.



2215140

Português

59

- ▶ **Use equipamento de segurança. Use sempre óculos de protecção.** Equipamento de segurança, como, por exemplo, máscara antipoeiras, sapatos de segurança antiderrapantes, capacete de segurança ou protecção auricular, de acordo com o tipo e aplicação da ferramenta eléctrica, reduzem o risco de lesões.
- ▶ **Evite um arranque involuntário. Assegure-se de que a ferramenta eléctrica está desligada antes de a ligar à fonte de alimentação e/ou à bateria, pegar nela ou a transportar.** Transportar a ferramenta eléctrica com o dedo no interruptor ou ligar uma ferramenta à tomada com o interruptor ligado (ON) pode resultar em acidentes.
- ▶ **Remova quaisquer chaves de ajuste (chaves de fenda), antes de ligar a ferramenta eléctrica.** Um acessório ou chave deixado preso numa parte rotativa da ferramenta pode causar ferimentos.
- ▶ **Evite posturas corporais desfavoráveis. Mantenha sempre uma posição correcta, em perfeito equilíbrio.** Desta forma será mais fácil manter o controlo sobre a ferramenta eléctrica em situações inesperadas.
- ▶ **Use roupa apropriada. Não use roupa larga ou jóias. Mantenha o cabelo, vestuário e luvas afastados das peças móveis.** Roupas largas, jóias ou cabelos compridos podem ficar presos nas peças móveis.
- ▶ **Se poderem ser montados sistemas de remoção e de recolha de pó, assegure-se de que estes estão ligados e são utilizados correctamente.** A utilização de um sistema de remoção de pó pode reduzir os perigos relacionados com a exposição ao mesmo.
- ▶ **Não se acomode numa falsa sensação de segurança e não ignore os regulamentos de segurança para ferramentas eléctricas, mesmo se estiver familiarizado com a ferramenta eléctrica após numerosas utilizações.** Agir de forma descuidada pode causar ferimentos graves dentro duma fracção de segundo.

Utilização e manuseamento da ferramenta eléctrica

- ▶ **Não sobrecarregue a ferramenta. Use para o seu trabalho a ferramenta eléctrica correcta.** Com a ferramenta eléctrica adequada obterá maior eficiência e segurança se respeitar os seus limites.
- ▶ **Não utilize a ferramenta eléctrica se o interruptor estiver defeituoso.** Uma ferramenta eléctrica que já não possa ser accionada pelo interruptor é perigosa e deve ser reparada.
- ▶ **Retire a ficha da tomada e/ou remova uma bateria amovível antes de efectuar ajustes na ferramenta, substituir acessórios ou guardar a ferramenta.** Esta medida preventiva evita o accionamento accidental da ferramenta eléctrica.
- ▶ **Guarde ferramentas eléctricas não utilizadas fora do alcance das crianças. Não permita que a ferramenta seja utilizada por pessoas não familiarizadas com a mesma ou que não tenham lido estas instruções.** Ferramentas eléctricas operadas por pessoas não treinadas são perigosas.
- ▶ **Faça uma manutenção regular de ferramentas eléctricas e acessórios. Verifique se as partes móveis funcionam perfeitamente e não emperram ou se há peças quebradas ou danificadas que possam influenciar o funcionamento da ferramenta eléctrica. Peças danificadas devem ser reparadas antes da utilização da ferramenta.** Muitos acidentes são causados por ferramentas eléctricas com manutenção deficiente.
- ▶ **Mantenha as ferramentas de corte sempre afiadas e limpas.** Acessórios com gumes afiados tratados correctamente emperram menos e são mais fáceis de controlar.
- ▶ **Utilize a ferramenta eléctrica, acessórios, bits, etc., de acordo com estas instruções. Tome também em consideração as condições de trabalho e o trabalho a ser efectuado.** A utilização da ferramenta eléctrica para outros fins além dos previstos, pode ocasionar situações de perigo.
- ▶ **Mantenha punhos e respectivas superfícies secos, limpos e isentos de óleo e gordura.** Punhos e superfícies afins escorregadios não permitem um manuseamento e controlo seguro da ferramenta eléctrica em situações imprevistas.

Manutenção

- ▶ **A sua ferramenta eléctrica só deve ser reparada por pessoal qualificado e só devem ser utilizadas peças sobressalentes originais.** Isto assegurará que a segurança da ferramenta eléctrica se mantenha.

2.2 Normas de segurança para máquinas de perfuração diamantadas

- ▶ **Ao executar trabalhos de furação que exijam a utilização de água, desvie a água da área de trabalho ou utilize um sistema de recolha de líquidos.** Tais precauções mantêm a área de trabalho seca e reduzem o risco de choque eléctrico.
- ▶ **Opere a ferramenta eléctrica pelas áreas isoladas dos punhos, quando executar trabalhos onde a ferramenta de corte pode encontrar cabos eléctricos encobertos ou o próprio cabo de ligação.** O contacto de uma ferramenta de corte com um cabo sob tensão também pode colocar peças metálicas da ferramenta eléctrica sob tensão e causar um choque eléctrico.



- ▶ **Ao perfurar com equipamento diamantado, use protecção auricular.** Ruído em excesso pode levar à perda de audição.
- ▶ **Se o acessório encravar, não aplique mais força de avanço e desligue a ferramenta.** Verifique a razão do encravamento e elimine a causa de acessórios encravados.
- ▶ **Se pretender voltar a accionar uma máquina de perfuração diamantada que está presa no material, verifique antes de ligar se o acessório roda livremente.** Quando o acessório encrava, é possível que não rode e isto pode levar à sobrecarga da ferramenta ou a que a máquina de perfuração diamantada se solte do material.
- ▶ **Em caso de fixação da coluna ao material através de buchas e parafusos, assegure-se de que a ancoragem utilizada está em condições de, durante a utilização, manter a máquina segura.** Quando o material não tiver a resistência necessária ou for poroso, a bucha pode ser puxada para fora, fazendo com que a coluna se solte do material.
- ▶ **Em caso de fixação da coluna ao material através de base de vácuo, assegure-se de que a superfície está lisa, limpa e não é porosa. Não fixe a coluna a superfícies laminadas, como, por exemplo, sobre ladrilhos e revestimentos de materiais compósitos.** Quando a superfície do material não é lisa, plana ou está suficientemente presa, a base de vácuo pode soltar-se do material.
- ▶ **Antes de encaixar a bateria, certifique-se de que a ferramenta está desligada.** Se o vácuo não for suficiente, a base de vácuo pode soltar-se do material.
- ▶ **Nunca realize furações por cima da cabeça e furações na parede, quando a máquina só estiver fixa mediante base de vácuo.** Em caso de perda do vácuo, a base de vácuo solta-se do material.
- ▶ **Ao furar através de paredes ou tectos, assegure-se de que pessoas e área de trabalho do outro lado estão protegidos.** A coroa de perfuração pode ir além do furo e a carote pode cair para fora do outro lado.
- ▶ **No caso de trabalhos por cima da cabeça, utilize sempre o sistema de recolha de líquidos especificado no manual de instruções. Providencie para que não se infiltre água na ferramenta.** A infiltração de água na ferramenta eléctrica aumenta o risco de choque eléctrico.

2.3 Normas de segurança adicionais

Segurança física

- ▶ **Não é permitida a modificação ou manipulação da ferramenta.**
- ▶ **A ferramenta não está concebida para pessoas debilitadas sem formação.**
- ▶ Mantenha a ferramenta afastada das crianças.
- ▶ **Evite o contacto com peças rotativas. Ligue a ferramenta apenas quando estiver no local de trabalho.** O contacto com peças rotativas, especialmente ferramentas rotativas, pode causar ferimentos.
- ▶ **Evite o contacto da pele com a lama resultante da perfuração.**
- ▶ Pós de materiais, como tinta com chumbo, algumas madeiras, betão/alvenaria/rochas quartzíferas, minerais e metal podem ser nocivos. O contacto ou a inalação do pó podem provocar reacções alérgicas e/ou doenças das vias respiratórias no utilizador ou em pessoas que se encontrem nas proximidades. Determinados pós, como os de carvalho ou de faia, são considerados cancerígenos, especialmente em combinação com aditivos para o tratamento de madeiras (cromato, produtos para a preservação de madeiras). Material que contenha amianto só pode ser manuseado por pessoal especializado. Utilize um sistema de remoção de pó o mais eficiente possível. Para isso, utilize um removedor de pó móvel recomendado pela **Hilti** para poeiras de madeira e/ou minerais, que tenha sido adaptado para esta ferramenta eléctrica. Assegure-se de que o local de trabalho está bem ventilado. Recomenda-se que use uma máscara antipoeiras adequada ao respectivo pó. Respeite as regulamentações em vigor no seu país relativas aos materiais a trabalhar.
- ▶ O perfurador diamantado e a coroa diamantada são pesados. Pode haver esmagamentos. **O utilizador e restantes pessoas que se encontrem na proximidade da ferramenta devem usar óculos de protecção, capacete de segurança, protecção auricular, luvas de protecção e botas de protecção.**

Utilização e manutenção de ferramentas eléctricas

- ▶ **Assegure-se de que a ferramenta está devidamente fixa na coluna.**
- ▶ **Assegure-se de que um limitador de curso está sempre colocado na coluna; caso contrário, não está assegurada a função do limitador de curso, relevante em termos de segurança.**
- ▶ **Verifique se os acessórios utilizados são compatíveis com o sistema de encaixe e se estão correctamente encaixados no mandril.**

Segurança eléctrica

- ▶ **Evite utilizar extensões de cabo com tomadas múltiplas, bem como utilizar vários equipamentos ligados à mesma extensão.**



- ▶ A ferramenta deve apenas ser operada quando conectada a uma fonte de alimentação com condutor de protecção e adequadamente dimensionada.
- ▶ Antes de iniciar os trabalhos, verifique o local de trabalho relativamente a cabos eléctricos encobertos, bem como tubos de gás e água, por ex., com um detector de metais. Partes metálicas externas da ferramenta podem transformar-se em condutores de corrente se, por ex., uma linha eléctrica for danificada inadvertidamente. Isto representa um sério perigo de choque eléctrico.
- ▶ Certifique-se de que o cabo de alimentação não é danificado durante o avanço do patim.
- ▶ Nunca opere a ferramenta sem o PRCD fornecido juntamente (para ferramentas sem PRCD, nunca sem transformador de isolamento). Verifique o PRCD antes de cada utilização.
- ▶ Verifique o cabo eléctrico regularmente. Se danificado, deve ser imediatamente substituído por um especialista. Quando o cabo de ligação da ferramenta eléctrica está danificado, deve ser substituído por um cabo de ligação específico e aprovado, que se encontra disponível através do Serviço de Clientes Hilti. Verifique as extensões de cabo regularmente. Se estiverem danificadas, deverão ser substituídas. Se danificar o cabo enquanto trabalha, não lhe toque e desligue a ferramenta imediatamente. Retire a ficha de rede da tomada. Linhas de conexão e extensões danificadas representam um risco de choque eléctrico.
- ▶ Nunca utilize a ferramenta se esta estiver suja ou molhada. O pó (nomeadamente o pó resultante de materiais condutores) ou a humidade aderente à superfície da ferramenta podem, sob condições desfavoráveis, causar choques eléctricos. Por conseguinte, se trabalha materiais condutores com frequência, recomendamos que mande verificar periodicamente a sua ferramenta por um Centro de Assistência Técnica Hilti.

Local de trabalho

- ▶ Deverá obter-se previamente junto do engenheiro ou arquitecto da obra uma autorização para iniciar trabalhos de perfuração e corte. Os trabalhos de perfuração em edifícios podem influenciar a estática da estrutura, especialmente quando se cortam vigas de reforço ou outros componentes de suporte.
- ▶ Mova a ferramenta montada na coluna, em caso de coluna não devidamente fixada, sempre totalmente para baixo, de modo a evitar que tombe.
- ▶ Mantenha o cabo de alimentação e a extensão, a mangueira de aspiração e de vácuo longe de elementos rotativos.
- ▶ Ao perfurar com água, é obrigatória a utilização de um sistema colectador de água em conjunto com um aspirador de líquidos ao efectuar furos no tecto.
- ▶ Para efectuar furos no tecto é proibido utilizar a fixação por vácuo sem fixação adicional.
- ▶ Para perfurações horizontais com fixação por vácuo (acessório), a coluna não pode ser utilizada sem um dispositivo de segurança adicional.

3 Descrição

3.1 Utilização conforme a finalidade projectada

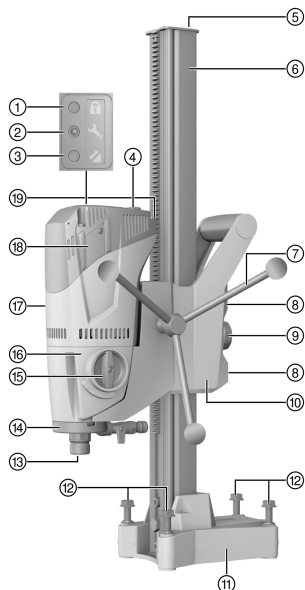
O produto descrito é um perfurador diamantado, eléctrico. Foi concebido para furação a húmido com suporte de coluna de furos de atravessamento e furos cegos em materiais minerais (com armação). **Não é permitida a aplicação manual do perfurador diamantado.**

O produto descrito foi concebido para uso profissional e só deve ser utilizado, mantido e reparado por pessoal autorizado e devidamente credenciado. Estas pessoas deverão ser informadas sobre os potenciais perigos que a ferramenta representa. O produto descrito e o seu equipamento auxiliar podem representar perigo se usados incorrectamente por pessoas não qualificadas ou se usados para fins diferentes daqueles para os quais foram concebidos.

- ▶ Utilize sempre uma coluna na aplicação do perfurador diamantado. A coluna deve estar suficiente fixa através de placa da bucha ou de vácuo no material base.
- ▶ Ao efectuar trabalhos de ajuste na base, não utilize nenhuma ferramenta de percussão (martelo).
- ▶ Certifique-se de que a corrente eléctrica à qual a ferramenta é ligada está de acordo com a mencionada na placa de características.
- ▶ Respeite os requisitos nacionais de segurança no trabalho.
- ▶ Observe igualmente as instruções de utilização e segurança dos acessórios.
- ▶ Utilize apenas acessórios e coroas de perfuração da Hilti, de forma a evitar ferimentos.



3.2 Componentes e comandos operativos 1



Sistema de perfuração diamantado DD 120

- ① Indicador de protecção anti-roubo (opcional)
- ② Indicador de manutenção
- ③ Indicador de performance de perfuração
- ④ Interruptor on/off
- ⑤ Limitador de curso
- ⑥ Coluna
- ⑦ Volante
- ⑧ Parafusos de ajuste da folga do patim (4x)
- ⑨ Mecanismo de travamento do patim
- ⑩ Patim
- ⑪ Base de bucha
- ⑫ Parafusos de nivelamento (4x)
- ⑬ Mandril
- ⑭ Ligaçãõ da água
- ⑮ Selector de velocidades
- ⑯ Secção da engrenagem
- ⑰ Motor
- ⑱ Tampa das escovas de carvão
- ⑲ Cabo de alimentação com PRCD

3.2.1 Base de vácuo (acessório) 2

- ⑳ Varão de encaixe
- ㉑ Ligaçãõ de vácuo
- ㉒ Manómetro
- ㉓ Válvula de segurança (vácuo)
- ㉔ Vedante de vácuo

3.2.2 Fixaçãõ 3

- ㉕ Varão de encaixe
- ㉖ Bucha
- ㉗ Porca de encaixe

3.2.3 Sistema de colecta de água 4

- ㉘ Suporte do colectõr de água
- ㉙ Colectõr da água

3.3 Indicador de manutenção

O produto está equipado com um indicador de manutenção com sinal luminoso.

3.4 Incluído no fornecimento

Perfurador diamantado, volante, manual de instruções.

A coluna de perfuração é fornecida em separado. Poderá encontrar outros produtos de sistema aprovados para o seu produto na sua **Hilti Store** ou em: www.hilti.group.

3.5 Utilizaçãõ de um gerador ou transformador

Esta ferramenta pode ser alimentada por um gerador ou transformador se as seguintes condições forem reunidas: A potência de saída, em watt, deverá apresentar no mínimo o dobro da potência máxima indicada na placa de características do aparelho, a tensão de serviço deverá estar sempre entre os +5 % e -15 % da tensão nominal e a frequência deverá estar entre os 50 e 60 Hz, e nunca deverá ser superior a 65 Hz. Deve utilizar-se um regulador automático de tensão com arrancador.



2215140

Português

63

i Ligar ou desligar outras ferramentas ou dispositivos pode provocar variações na voltagem (falha ou sobrecarga), causando danos na ferramenta.

4 Características técnicas

4.1 Características técnicas

Peso (carril 600 mm) segundo procedimento EPTA 01	21,6 lb (9,8 kg)
Pressão máxima permitida da água	90 psi (6 bar)
Velocidade nominal em vazio, 1.ª velocidade	740 rpm
Velocidade nominal em vazio, 2.ª velocidade	1 580 rpm
Dimensões da coluna de perfuração com carril curto (C x L x A)	13,0 in x 5,8 in x 23,6 in (330 mm x 147 mm x 600 mm)
Dimensões da coluna de perfuração com carril médio (C x L x A)	13,0 in x 5,8 in x 28,3 in (330 mm x 147 mm x 720 mm)
Dimensões da coluna de perfuração com carril comprido (C x L x A)	13,0 in x 5,8 in x 32,7 in (330 mm x 147 mm x 830 mm)
Classe de protecção	Classe I de protecção (com ligação terra)

4.2 Velocidades e diâmetros de coroa correspondentes

i *Verifique sempre a informação (diâmetro de perfuração) inscrita na placa de características da ferramenta.

Em bases de betão com pouca armação, pode utilizar-se a segunda velocidade até diâmetros de Ø 82 mm (3 1/2 pol.) de modo a se conseguir um avanço de perfuração mais elevado.

Velocidade	Diâmetro da coroa de perfuração	Velocidade de rotação em vazio
1	57 ... 132 (*162) mm	740 rpm
2	16 ... 52 mm	1 580 rpm

5 Preparação do local de trabalho

AVISO

Risco de ferimentos! A coluna pode rodar ou virar em caso de fixação insuficiente.

- ▶ Antes da utilização do perfurador diamantado, fixe a coluna com buchas ou através de uma base de vácuo no material base a trabalhar.
- ▶ Utilize apenas buchas adequadas ao material base existente e tenha em atenção as instruções de montagem do fabricante da bucha.
- ▶ Só utilize uma base de vácuo, se o material base existente se adequar à fixação da coluna com uma fixação por vácuo.

5.1 Monte o volante no perfurador diamantado

1. Retire o contrapino e coloque o volante sobre o eixo.
2. Fixe o volante com o contrapino.

i O volante pode ser aplicado de ambos os lados do patim.



5.2 Fixar o perfurador diamantado na coluna de perfuração 5

CUIDADO

Risco de ferimentos Perigo devido a arranque involuntário do perfurador diamantado.

▶ O perfurador diamantado não deve estar ligado à corrente eléctrica durante os trabalhos de montagem.

1. Solte o parafuso situado no interior com a chave para sextavado interior.
2. Retire o batente final do carril.
3. Abra o bloqueio travamento do patim, abrindo por completo o botão rotativo, rodando-o.
4. Coloque o perfurador diamantado sobre a abertura prevista no carril.
5. Para deslocar o perfurador diamantado completamente sobre o carril, utilize o volante.
6. Bloqueie o perfurador diamantado, fixando o mecanismo de travamento do patim por completo, rodando-o.
7. Verifique a fixação segura do perfurador diamantado rodando ligeiramente no volante.
8. Monte o batente final no carril e verifique a fixação segura.



Verifique a folga do patim e, se necessário, ajuste-a. → Página 70

5.3 Fixar a coluna com bucha 5

AVISO

Perigo de ferimentos devido à utilização de bucha errada! A ferramenta pode desprender-se e provocar danos.

▶ Utilize a bucha adequada ao material base existente e tenha em atenção as instruções de montagem do fabricante da bucha.



Normalmente, as **Hilti** buchas de expansão metálicas M12 são adequadas para fixações do equipamento de perfuração diamantado em betão não fissurado. No entanto, em determinadas condições, pode ser necessária uma fixação alternativa. Em caso de dúvidas quanto à fixação segura, contacte o Serviço de Assistência Técnica da **Hilti**.

1. Coloque a uma distância de 203 mm (8 pol.) do centro do furo uma bucha adequada ao respectivo material base.
2. Enrosque o varão de aperto na bucha.
3. Rode todos os parafusos de nivelamento para trás, até que a placa base apoie de forma rematada no material base.
4. Coloque a coluna de perfuração sobre o varão de encaixe e alinhe-a.
5. Enrosque a porca do varão de encaixe no respectivo varão, sem apertar firmemente.
6. Nivele a placa base com os 4 parafusos de nivelamento.



Todos os parafusos de nivelamento devem estar apoiados firmemente no material base.

7. Fixe a coluna de perfuração com a porca do varão de encaixe e uma chave de forqueta (SW 19).
8. Verifique a fixação segura da coluna de perfuração.

5.4 Fixar a coluna com a base de vácuo (acessório)

PERIGO

Risco de ferimento devido a queda do perfurador diamantado !

▶ A fixação da coluna ao tecto, apenas com fixação por vácuo, não é permitida. Uma fixação adicional pode, por exemplo, ser assegurada através de uma escora pesada ou um varão de enroscar.

AVISO

Perigo de ferimentos caso falte o controlo da pressão !

▶ Antes de iniciar a perfuração e enquanto durar a operação, certifique-se de que o ponteiro do manómetro se mantém na faixa verde.





Certifique-se de que a coroa de perfuração escolhida não danifica a base de vácuo.

Antes do posicionamento da coluna assegure-se de que está disponível espaço suficiente para montagem e manuseamento.

Utilize a fixação por vácuo apenas para o emprego de coroas de perfuração com um diâmetro inferior a 300 mm (12 pol.) e sem a utilização de distanciador.

1. Trace uma linha de orientação com aprox. 800 mm (31,5 pol.) de comprimento, desde do centro do furo até ao ponto em que o perfurador diamantado será colocado.
2. Coloque a 203 mm (8 pol.) do centro do furo uma linha de marcação perpendicular à linha de orientação.
3. Rode todos os parafusos de nivelamento para trás, até que a base da bucha apoie de forma rematada no material base.
4. Coloque a coluna de perfuração sobre o varão na base de vácuo.
 - ↳ A base da bucha apoia de forma rematada nos batentes finais da base de vácuo.
5. Fixe a coluna de perfuração com a porca do varão de encaixe e uma chave de forqueta SW 19.
6. Una a ligação de vácuo da base de vácuo à bomba de vácuo.
7. Ligue a bomba de vácuo e pressione a base de vácuo contra o material base.
8. Para alinhar o perfurador diamantado, pressione e segure a válvula de ventilação para vácuo.



Para o alinhamento, utilize a marcação na base da bucha e a linha de marcação.

9. Solte a válvula de ventilação para vácuo e pressione a base de vácuo contra o material base.
10. Verifique a fixação segura da coluna de perfuração.
11. Se necessário, nivele o perfurador diamantado com os 4 parafusos de nivelamento.

5.5 Ligar o fornecimento de água (acessório)

ATENÇÃO

Perigo em caso de utilização incorrecta! Em caso de utilização incorrecta, a mangueira poderá ser destruída.

- ▶ Verifique periodicamente o estado das mangueiras e assegure-se de que não é excedida a pressão máxima permitida de 6 bar da água.
- ▶ Certifique-se de que a mangueira não entra em contacto com peças em rotação.
- ▶ Certifique-se de que a mangueira não é danificada durante o avanço do patim.
- ▶ Temperatura máxima da água: 40 °C.
- ▶ Verifique a estanquidade do sistema de alimentação de água utilizado.



Utilize apenas água potável ou água sem partículas de sujidade de modo a evitar uma danificação dos componentes.

Como acessório pode ser montado um indicador do fluxo de água entre a ferramenta e a ligação do abastecimento.

1. Feche o regulador do fluxo de água no perfurador diamantado.
2. Estabeleça a ligação ao fornecimento de água (ligação para mangueira).

5.6 Montar o sistema colector de água (acessório)

AVISO

Perigo devido a choque elétrico! Em caso de aspiração defeituosa pode correr água através do motor e da cobertura!

- ▶ Interrompa imediatamente o trabalho quando a aspiração deixar de funcionar.

CUIDADO

Risco de ferimentos! Arranque inadvertido do produto.

- ▶ Retire a ficha antes de efectuar ajustes na ferramenta ou substituir acessórios.



i Nas perfurações para cima, o perfurador diamantado deverá estar posicionado num ângulo de 90° relativamente ao tecto. O disco vedante do sistema colector de água deve estar adaptado ao diâmetro da coroa diamantada.

A utilização do sistema colector permite que a água seja drenada da coroa, evitando assim sujar a área circundante ao furo.

1. Retire o parafuso na coluna de perfuração.
2. Monte o suporte do colector de água com o parafuso na coluna de perfuração.
3. Coloque o colector da água com vedante montado e disco vedante entre os dois braços móveis do suporte do colector de água.
4. Fixe o colector da água com os dois parafusos no suporte do colector de água contra o material base.
5. Ligue um aspirador de líquidos ao colector da água ou estabeleça uma conexão com uma mangueira, através da qual a água possa escoar.

5.7 Aplicar a coroa diamantada de perfuração (mandril BI+)

PERIGO

Risco de ferimentos Fragmentos do material ou de acessórios partidos podem ser projectados e provocar ferimentos mesmo para além da área de trabalho imediata.

- ▶ Não utilize acessórios danificados. Antes de cada utilização, examine os acessórios em relação a fragmentos e fissuras, desgaste ou forte deterioração.

CUIDADO

Risco de ferimentos! Arranque inadvertido do produto.

- ▶ Retire a ficha antes de efectuar ajustes na ferramenta ou substituir acessórios.

i Coroas diamantadas têm de ser substituídas logo que a capacidade de corte ou o avanço da perfuração diminuir perceptivelmente. Isso acontece em geral quando a altura dos segmentos diamantados é inferior a 2 mm (1/16 pol.).

Mandris C-Rod, A-Rod, M27 e BR são aplicados com uma chave de forqueta SW 27.

1. Bloqueie o perfurador diamantado, fixando o mecanismo de travamento do patim por completo, rodando-o.
2. Abra o mandril (BI+) rodando-o no sentido do símbolo "aberto" (grampo aberto).
3. Encaixe o sistema de encaixe da coroa diamantada a partir de baixo no dentado do mandril no perfurador diamantado.
4. Feche o mandril rodando-o no sentido do símbolo "fechado" (parêntesis fechado).
5. Verifique se a coroa diamantada de perfuração está bem encaixada no mandril.

5.8 Seleccionar a rotação

CUIDADO

Perigo de desgaste Perigo de danos na engrenagem

- ▶ Não altere a velocidade com a ferramenta em funcionamento. Aguarde a paragem do veio.

1. Seleccione a posição do interruptor segundo o diâmetro da coroa de perfuração utilizada.
2. Mova o selector de velocidades para a velocidade recomendada enquanto faz rodar a coroa manualmente.

5.9 Retirar a coroa diamantada de perfuração (mandril BI+)

PERIGO

Risco de ferimentos Fragmentos do material ou de acessórios partidos podem ser projectados e provocar ferimentos mesmo para além da área de trabalho imediata.

- ▶ Não utilize acessórios danificados. Antes de cada utilização, examine os acessórios em relação a fragmentos e fissuras, desgaste ou forte deterioração.



⚠ CUIDADO

Risco de ferimentos! Arranque inadvertido do produto.

- ▶ Retire a ficha antes de efectuar ajustes na ferramenta ou substituir acessórios.



Nos mandrils C-Rod, A-Rod, M27 e BR, bloqueie o veio da ferramenta com uma chave de forqueta SW 27 e remova a coroa de perfuração com uma chave de forqueta adequada.

1. Bloqueie o perfurador diamantado, fixando o mecanismo de travamento do patim por completo, rodando-o.
2. Abra o mandril (BI+) rodando-o no sentido do símbolo "aberto" (grampo aberto).
3. Puxe a base do mandril no sentido da seta, em direção à ferramenta, para desbloquear a coroa de perfuração.
4. Retire a coroa de perfuração do mandril (BI+).

6 Utilização

6.1 Sistema de protecção anti-roubo TPS (opcional)

O seu produto pode estar equipado com a função Protecção anti-roubo TPS como opção. Nesse caso, só poderá ser activado e operado com a respectiva chave.

6.2 Activar a ferramenta com sistema de protecção anti-roubo TPS

1. Ligue a ficha de rede do perfurador diamantado à tomada.
2. Pressione o botão "Reset" ou o botão "I" do disjuntor diferencial PRCD.
 - ↳ A luz indicadora amarela do sistema de protecção anti-roubo pisca.
3. Segure a chave de activação directamente sobre o símbolo de bloqueio (cadeado).
 - ↳ A luz amarela do sistema de protecção anti-roubo apaga-se. A ferramenta eléctrica está activada.



Se a alimentação eléctrica for interrompida, o produto mantém-se operacional durante cerca de 20 minutos. Quando a interrupção é mais prolongada, é necessário desactivar de novo a protecção contra roubo através da chave de activação.

6.3 Disjuntor de segurança PRCD

1. Encaixe a ficha do perfurador diamantado numa tomada de corrente com ligação à terra.
2. Prima o botão "I" ou "RESET" no disjuntor diferencial PRCD.
 - ↳ A indicação acende-se.
3. Prima o botão "0" ou "TEST" no disjuntor diferencial PRCD.
 - ↳ A indicação apaga-se.

⚠ AVISO

Perigo de ferimentos devido a choque eléctrico! Se a indicação no disjuntor diferencial não apagar ao pressionar a tecla **0** ou **TEST**, o perfurador diamantado não poderá continuar a ser utilizado!

- ▶ Mande reparar o seu perfurador diamantado no Centro de Assistência Técnica **Hilti**.

4. Prima o botão "I" ou "RESET" no disjuntor diferencial PRCD.
 - ↳ A indicação acende-se.

6.4 Operar o perfurador diamantado sem aspirador de líquidos

1. Abra lentamente o regulador do fluxo de água até que flua o volume de água desejado.



O perfurador diamantado pode ser operado com e sem sistema colector de água. Com sistema colector de água, a água de perfuração é escoada através de uma mangueira, sem sistema colector de água, a água escorre de forma descontrolada. Em caso de funcionamento com sistema colector de água, monte primeiro o sistema colector de água → Página 66. Em ambas as aplicações não são permitidas furações viradas para cima.

2. Pressione o interruptor on/off "I".
3. Abra o mecanismo de travamento do patim.



4. Rode o volante até que a coroa esteja em contacto com o material a furar.
5. No início da perfuração pressione apenas levemente, até que a coroa de perfuração se tenha centrado, só então deve aumentar a força de pressão.
6. Preste atenção ao indicador de performance de perfuração.



No início, o indicador de performance de perfuração acende a cor-de-laranja. A performance de perfuração ideal é conseguido quando o indicador de performance de perfuração acende a verde. Se o indicador de performance de perfuração acender a vermelho, diminuir a força de pressão.

6.5 Operar o perfurador diamantado com aspirador de líquidos

AVISO

Perigo devido a choque eléctrico! Em caso de aspiração defeituosa pode correr água através do motor e da cobertura!

▶ Interrompa imediatamente o trabalho quando a aspiração deixar de funcionar.

1. Monte o sistema colector de água → Página 66 e conecte o aspirador de líquidos.
2. Ligue o aspirador de líquidos, não utilize o modo automático.
3. Abra lentamente o regulador do fluxo de água até que flua o volume de água desejado.
4. Pressione o interruptor on/off "I".
5. Abra o mecanismo de travamento do patim.
6. Rode o volante até que a coroa esteja em contacto com o material a furar.
7. No início da perfuração pressione apenas levemente, até que a coroa de perfuração se tenha centrado, só então deve aumentar a força de pressão.
8. Preste atenção ao indicador de performance de perfuração.



No início, o indicador de performance de perfuração acende a cor-de-laranja. A performance de perfuração ideal é conseguido quando o indicador de performance de perfuração acende a verde. Se o indicador de performance de perfuração acender a vermelho, diminuir a força de pressão.

6.6 Passos de trabalho, caso a coroa de perfuração encrave

Em caso de encravamento, salta primeiro a embraiagem. Em seguida, o sistema electrónico desliga o motor e, sem intervenção manual do utilizador, volta a ligar duas vezes automaticamente. Se isso não levar a que o encravamento se solte, o sistema electrónico desliga o motor por 90 segundos. Pode soltar manualmente o encravamento do seguinte modo:

6.6.1 Soltar a coroa de perfuração com a chave de forqueta

1. Retire a ficha de rede da tomada.
2. Segure a coroa perto do encabadouro com uma chave de forqueta adequada e solte-a, rodando-a.
3. Ligue a ficha de rede à tomada.
4. Prossiga o processo de perfuração.

6.6.2 Soltar a coroa de perfuração com o volante

1. Retire a ficha de rede da tomada.
2. Com o volante, solte a coroa de perfuração do material base.
3. Ligue a ficha de rede à tomada.
4. Prossiga o processo de perfuração.

6.7 Desligar o perfurador diamantado

AVISO

Perigo para pessoas e material A coroa diamantada enche-se de água na perfuração para cima. O perfurador diamantado pode danificar-se e o perigo de choque eléctrico é maior.

▶ Ao terminar a perfuração em suspensão, deve drenar primeiro a água. Basta separar a mangueira de abastecimento no regulador do fluxo de água e deixar escoar a água abrindo o regulador do fluxo de água. Não deixe escorrer água para cima do motor e da cobertura.

1. Feche o regulador do fluxo de água no perfurador diamantado.
2. Retire a coroa do furo.



2215140

Português

69

- Bloqueie o perfurador diamantado com o travamento do patim.
- Desligue o perfurador diamantado.
- Desligue o aspirador (caso o utilize).

6.8 Desmontagem do perfurador diamantado

- Retire a ficha de rede da tomada.
- Para retirar a coroa de perfuração, consultar o capítulo "Retirar a coroa diamantada de perfuração" → Página 67.
- Se necessário, retire a carote.
- Desmonte o perfurador diamantado do material base.



Quando desmonta o sistema como unidade inteiriça, recomenda-se descer a ferramenta pelo carril depois de desligada, até que a coroa de perfuração toque no material base. Impede-se assim que o perfurador diamantado tombe.

7 Conservação e manutenção

7.1 Conservação e manutenção



AVISO

Perigo devido a choque eléctrico! A conservação e manutenção com a ficha de ligação inserida pode originar ferimentos graves e queimaduras.

- ▶ Retirar sempre a ficha de ligação antes de todos os trabalhos de conservação e manutenção!

Conservação

- Remover sujidade aderente com cuidado.
- Limpe as saídas de ar cuidadosamente com uma escova seca.
- Limpar a carcaça apenas com um pano ligeiramente humedecido. Não utilizar produtos de conservação que contenham silicone, uma vez que estes poderiam danificar os componentes de plástico.

Manutenção



AVISO

Perigo devido a choque eléctrico! Reparações incorrectas em peças eléctricas podem causar ferimentos e queimaduras graves.

- ▶ As reparações na parte eléctrica apenas podem ser executadas por um electricista especializado.
- Verificar, regularmente, todos os componentes visíveis quanto a danos e os comandos operativos quanto a funcionamento perfeito.
- Em caso de danos e/ou perturbações de funcionamento, não operar o produto. Mandar reparar de imediato pelo Centro de Assistência Técnica **Hilti**.
- Após os trabalhos de conservação e manutenção, aplicar todos os dispositivos de protecção e verificar o respectivo funcionamento.



Para um funcionamento seguro, utilize apenas peças sobresselentes e consumíveis originais. Poderá encontrar peças sobresselentes, consumíveis e acessórios aprovados por nós para o seu produto no seu **Hilti Store** ou em: **www.hilti.group**.

7.2 Ajustar a folga entre a guia e o patim

- Aperte os parafusos de ajuste da folga do patim com uma chave de sextavado interior.

Características técnicas

Torque

5 Nm

- Solte novamente os parafusos de ajuste com 1/4 de volta.
- O patim está correctamente ajustado quando permanece na sua posição sem coroa diamantada e se move para baixo com uma coroa diamantada.



7.3 Substituir as escovas de carvão **11**

AVISO

Perigo de ferimentos devido a choque elétrico !

- ▶ A manutenção e reparação da ferramenta só deve ser feita por pessoal devidamente autorizado e especializado! Estas pessoas deverão ser informadas sobre os potenciais perigos que a ferramenta representa.

AVISO

Perigo devido a choque eléctrico! A conservação e manutenção com a ficha de ligação inserida pode originar ferimentos graves e queimaduras.

- ▶ Retirar sempre a ficha de ligação antes de todos os trabalhos de conservação e manutenção!

1. Abra as tampas laterais (esquerda e direita) das escovas do motor.
2. **Repare como estão colocadas as escovas e instalados os fios.** Retire as escovas gastas do perfurador diamantado.
3. Coloque as escovas novas exactamente da mesma forma como estavam as usadas.



Ao colocá-las, preste atenção para não danificar o isolamento do fio de aviso.

4. Aparafuse as tampas laterais (esquerda e direita) das escovas no motor.
5. Deixe as escovas de carvão trabalhar em vazio ininterruptamente durante, pelo menos, 1 minuto.
 - ↳ A luz indicadora apaga-se após aprox. 1 minuto de tempo de operação.

8 Transporte e armazenamento

Transporte

- ▶ Não transporte este produto com a ferramenta inserida.
- ▶ Certificar-se de que está bem apertado durante o transporte.
- ▶ Após cada transporte, verifique todos os componentes visíveis quanto a danos e os comandos operativos quanto a funcionamento perfeito.

Armazenamento

- ▶ Armazene este produto sempre com a ficha de rede retirada.
- ▶ Guarde este produto num local seco e fora do alcance das crianças e pessoas não autorizadas.
- ▶ Após um armazenamento prolongado, verifique todos os componentes visíveis quanto a danos e os comandos operativos quanto a funcionamento perfeito.

8.1 Transporte do perfurador diamantado

AVISO

Risco de ferimentos! Peças individuais podem soltar-se e cair.






- ▶ Não suspenda o perfurador diamantado e/ou a coluna com uma grua.
- ▶ Transporte o perfurador diamantado, a coluna e a coroa de perfuração em separado.
 - ↳ Use o kit de rodas (acessório) para facilitar o transporte.
- ▶ Antes do armazenamento do perfurador diamantado, abra o regulador do fluxo de água.

9 Ajuda em caso de avarias


- ▶ No caso de avarias que não sejam mencionadas nesta tabela ou se não conseguir resolvê-las por si mesmo, contacte o nosso Centro de Assistência Técnica **Hilti**.



9.1 O perfurador diamantado não está pronto a funcionar

Avaria	Causa possível	Solução
 Indicador de manutenção não apresenta nenhuma indicação.	PRCD não está ligado.	▶ Verifique a capacidade de funcionamento do PRCD e ligue-o.
	Não recebe corrente eléctrica.	▶ Insira outra ferramenta eléctrica e verifique o funcionamento. ▶ Verifique as ligações de ficha, o cabo de rede, a linha de corrente e o fusível de rede.
	Interruptor on/off avariado.	▶ Nesse caso, mande reparar a ferramenta num Centro de Assistência Técnica Hilti.
	Avaria no sistema electrónico.	▶ Nesse caso, mande reparar a ferramenta num Centro de Assistência Técnica Hilti.
	Água no motor.	▶ Deixe o perfurador diamantado secar totalmente num local quente e seco.
 Indicador de manutenção está aceso.	As escovas de carvão estão gastas.	▶ Substitua as escovas de carvão. → Página 71
 Indicador de manutenção está a piscar.	Erro de velocidade.	▶ Nesse caso, mande reparar a ferramenta num Centro de Assistência Técnica Hilti.
 O indicador de performance de perfuração pisca a vermelho.	O motor sobreaquece.	▶ Aguarde alguns minutos até que o motor tenha arrefecido ou deixe o perfurador diamantado a trabalhar em vazio para acelerar o processo de arrefecimento. Desligue o perfurador diamantado e volte a ligá-lo.
	Falha por sobrecarga.	▶ Desligue o perfurador diamantado e volte a ligá-lo.
 O indicador de protecção anti-roubo pisca.	O perfurador diamantado não está activo (no caso do perfurador diamantado com protecção contra roubo, opcional).	▶ Active o perfurador diamantado com a chave de activação.

9.2 O perfurador diamantado está pronto a funcionar

Avaria	Causa possível	Solução
 Indicador de manutenção está aceso.	O limite de desgaste das escovas de carvão está quase alcançado. O tempo de funcionamento restante até à desactivação automática do perfurador diamantado ainda é de algumas horas.	▶ Substitua as escovas de carvão logo que possível.



Avaria	Causa possível	Solução
O perfurador diamantado não atinge a plena potência.	Perturbação na rede – ocorreu um caso de subtensão na rede eléctrica.	<ul style="list-style-type: none"> ▶ Verifique se existem outros consumidores na rede eléctrica ou, eventualmente, no gerador que possam originar problemas. ▶ Verifique o comprimento do cabo de extensão utilizado.
A coroa diamantada de perfuração não roda.	O selector de velocidades não prendeu.	▶ Accione o selector de velocidades, até prender.
	A coroa diamantada de perfuração encravou no material base.	<ul style="list-style-type: none"> ▶ Solte a coroa diamantada de perfuração com uma chave de forqueta: retire a ficha de rede da tomada. Segure a coroa perto do encabadouro com uma chave de forqueta adequada e solte-a, rodando-a.
	Avaria na engrenagem.	<ul style="list-style-type: none"> ▶ Perfurar com suporte de coluna ▶ Rode o volante e tente soltar a coroa diamantada de perfuração, movendo o patim para cima e para baixo. ▶ Nesse caso, mande reparar a ferramenta num Centro de Assistência Técnica Hilti.
A velocidade de perfuração vai diminuindo.	Atingida a profundidade máxima de perfuração.	▶ Retire a carote e utilize uma extensão da coroa de perfuração.
	A carote fica presa no interior da coroa diamantada de perfuração.	▶ Retire a carote.
	Especificação errada para o material base.	▶ Seleccione uma especificação da coroa diamantada de perfuração mais adequada.
	Grande percentagem de aço (identificável na água limpa com lima-lha).	▶ Seleccione uma especificação da coroa diamantada de perfuração mais adequada.
	Coroa diamantada de perfuração com defeito.	▶ Verifique se a coroa diamantada de perfuração apresenta danos e, se necessário, substitua-a.
	Seleccionada uma velocidade errada.	▶ Seleccione a velocidade correcta.
	Força de compressão demasiado baixa.	▶ Aumente a força de compressão.
	Potência insuficiente da ferramenta.	▶ Seleccione a velocidade mais baixa seguinte.
	Coroa diamantada de perfuração com muito desgaste.	▶ Afie a coroa diamantada de perfuração na placa de afiar.
	Volume de água demasiado alto.	▶ Reduza a quantidade de água com a regulação de água.
	Volume de água insuficiente.	▶ Controle o abastecimento de água à coroa diamantada de perfuração ou aumente a quantidade com a regulação de água.
Travão fechado.	▶ Abra o travão.	
A embraiagem "salta" prematuramente ou desembraia permanentemente.	▶ Nesse caso, mande reparar a ferramenta num Centro de Assistência Técnica Hilti.	



Avaria	Causa possível	Solução
O volante roda sem resistência.	Contrapino partido.	▶ Substitua o contrapino.
Impossível introduzir a coroa diamantada de perfuração no mandril.	Encabadouro/mandril sujo ou danificado.	▶ Limpe o encabadouro ou o mandril e lubrifique-os ou substitua-os.
Fuga de água na ligação da água ou na engrenagem.	A pressão da água é demasiado elevada.	▶ Reduza a pressão da água.
Fuga de água no mandril durante o funcionamento.	Coroa diamantada de perfuração insuficientemente aparafusada no mandril.	▶ Aparafuse bem a coroa. ▶ Retire a coroa diamantada de perfuração. Rode a coroa aprox. 90° em torno do respectivo eixo. Monte novamente a coroa.
	Encabadouro/mandril sujo.	▶ Limpe e lubrifique o encabadouro ou o mandril.
	Vedante do mandril ou do encabadouro com defeito.	▶ Verifique o vedante e, se necessário, substitua-o.
Folga excessiva no sistema de perfuração.	Coroa diamantada de perfuração insuficientemente aparafusada no mandril.	▶ Aparafuse bem a coroa. ▶ Retire a coroa diamantada de perfuração. Rode a coroa aprox. 90° em torno do respectivo eixo. Monte novamente a coroa.
	Encabadouro/mandril com defeito.	▶ Verifique o encabadouro e o mandril e, se necessário, substitua-os.
	O patim tem demasiada folga.	▶ Ajuste a folga entre a guia e o patim. → Página 70
	As ligações aparafusadas no montante estão frouxas.	▶ Verifique se os parafusos no montante estão bem apertados e, se necessário, reaperte-os.
	Montante insuficientemente fixo.	▶ Fixe melhor o montante.

10 Reciclagem

As ferramentas **Hilti** são, em grande parte, fabricadas com materiais recicláveis. Um pré-requisito para a reciclagem é que esses materiais sejam devidamente separados. Em muitos países, a **Hilti** aceita a sua ferramenta usada para reutilização. Para mais informações dirija-se ao Serviço de Clientes **Hilti** ou ao seu vendedor.



- ▶ Não deite as ferramentas eléctricas, aparelhos electrónicos e baterias no lixo doméstico!

11 Garantia do fabricante

- ▶ Em caso de dúvidas quanto às condições de garantia, contacte o seu parceiro **Hilti** local.



This Product is Certified
Ce produit est homologué
Producto homologado por
Este produto está registrado





Hilti Corporation
LI-9494 Schaan
Tel.:+423 234 21 11
Fax:+423 234 29 65
www.hilti.com



2215140