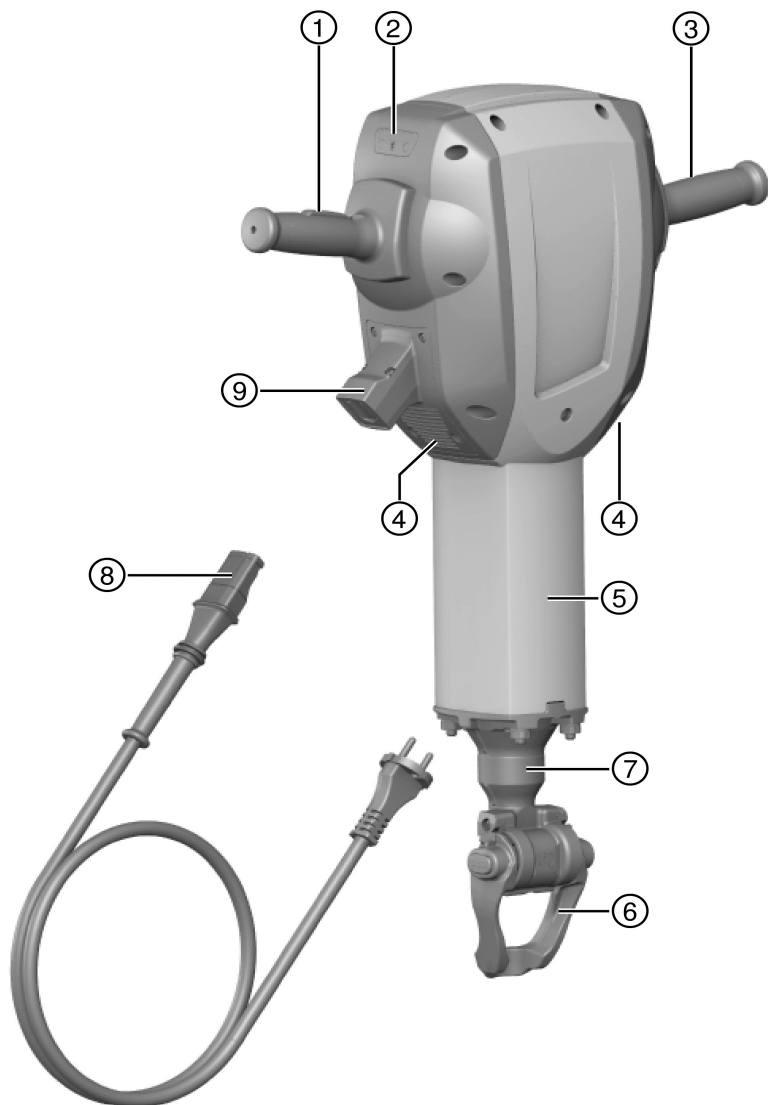
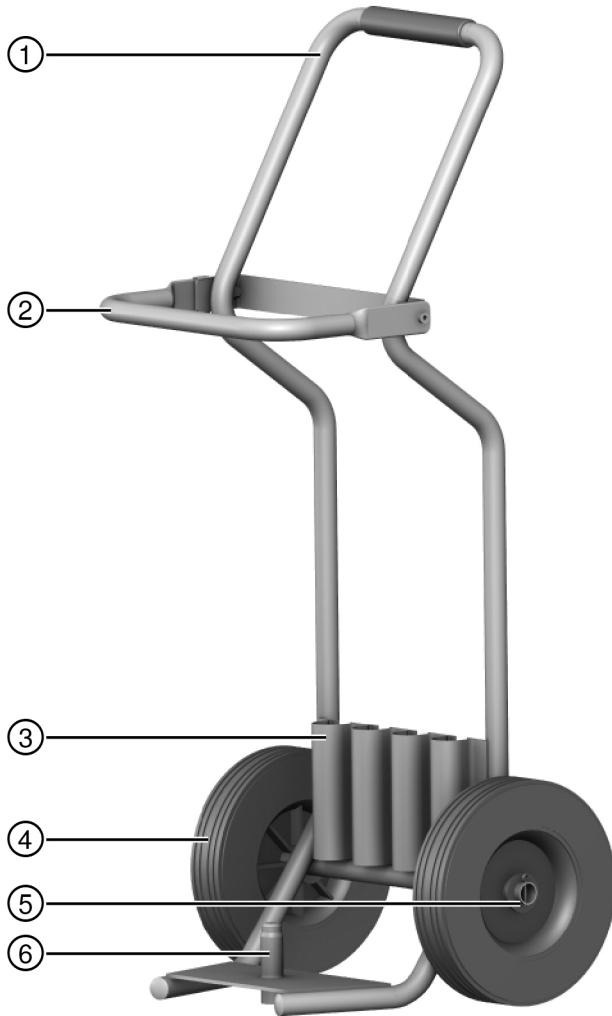


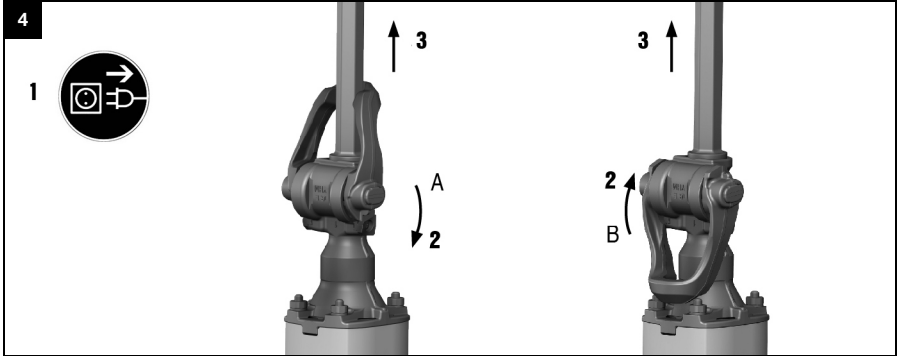
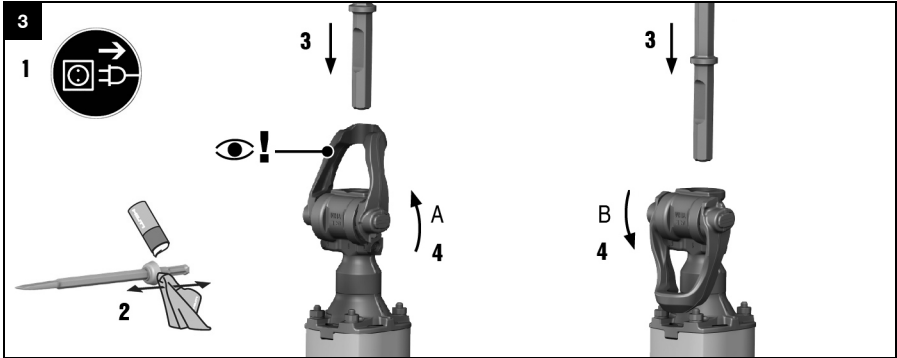


TE 3000-AVR

English	1
Français	12
Dansk	23
Svenska	33
Norsk	43
Suomi	53
Eesti	63
Latviešu	73
Lietuvių	83
Русский	94
Українська	106
Қазақ	117
Türkçe	128
عربي	139
日本語	150
한국어	160
繁體中文	169
中文	178







TE 3000-AVR

en	Original operating instructions	1
fr	Notice d'utilisation originale	12
da	Original brugsanvisning	23
sv	Originalbruksanvisning	33
no	Original bruksanvisning	43
fi	Alkuperäiset ohjeet	53
et	Originaalkasutusjuhend	63
lv	Originālā lietošanas instrukcija	73
lt	Originali naudojimo instrukcija	83
ru	Перевод оригинального руководства по эксплуатации	94
uk	Оригінальна інструкція з експлуатації	106
kk	Түпнұсқа пайдалану бойынша нұсқаулық	117
tr	Orijinal kullanım kılavuzu	128
ar	دليل الاستعمال الأصلي	139
ja	オリジナル取扱説明書	150
ko	오리지널 사용 설명서	160
zh	原始操作說明	169
cn	原版操作说明	178

1 Information about the documentation

1.1 About this documentation

- Read this documentation before initial operation or use. This is a prerequisite for safe, trouble-free handling and use of the product.
- Observe the safety instructions and warnings in this documentation and on the product.
- Always keep the operating instructions with the product and make sure that the operating instructions are with the product when it is given to other persons.

1.2 Explanation of symbols used

1.2.1 Warnings

Warnings alert persons to hazards that occur when handling or using the product. The following signal words are used:

DANGER

DANGER !

- ▶ Draws attention to imminent danger that will lead to serious personal injury or fatality.

WARNING

WARNING !

- ▶ Draws attention to a potential threat of danger that can lead to serious injury or fatality.





CAUTION

CAUTION !

- ▶ Draws attention to a potentially dangerous situation that could lead to slight personal injury or damage to the equipment or other property.




1.2.2 Symbols in the documentation

The following symbols are used in this document:

	Read the operating instructions before use.
	Instructions for use and other useful information
	Dealing with recyclable materials
	Do not dispose of electric equipment and batteries as household waste

1.2.3 Symbols in the illustrations

The following symbols are used in illustrations:

	These numbers refer to the corresponding illustrations found at the beginning of these operating instructions
3	The numbering reflects the sequence of operations shown in the illustrations and may deviate from the steps described in the text
	Item reference numbers are used in the overview illustrations and refer to the numbers used in the product overview section
	This symbol is intended to draw special attention to certain points when handling the product.

1.3 Symbols on the product

1.3.1 Symbols on the product

The following symbols can be used on the product:



	Protection class II (double-insulated)
	Transport by crane is not permissible
	Wireless data transfer

1.4 Product information

Hilti products are designed for professional use and may be operated, serviced and maintained only by trained, authorized personnel. This personnel must be informed of any particular hazards that may be encountered. The product and its ancillary equipment may present hazards when used incorrectly by untrained personnel or when used not as directed.

The type designation and serial number are printed on the type identification plate.

- ▶ Write down the serial number in the table below. You will be required to state the product details when contacting Hilti Service or your local Hilti organization to enquire about the product.

Product information → page 2

Product information

Breaker	TE 3000-AVR
Generation	01
Serial no.	

1.5 Declaration of conformity

We declare, on our sole responsibility, that the product described here complies with the applicable directives and standards. A copy of the declaration of conformity can be found at the end of this documentation.

The technical documentation is filed here:

Hilti Entwicklungsgesellschaft mbH | Tool Certification | Hiltistrasse 6 | 86916 Kaufering, Germany

2 Safety

2.1 General power tool safety warnings

WARNING

Read all safety warnings and all instructions. Failure to follow the warnings and instructions may result in electric shock, fire and/or serious injury.

Save all warnings and instructions for future reference.

The term “power tool” in the warnings refers to your mains-operated (corded) power tool or battery-operated (cordless) power tool.

Work area safety

- ▶ **Keep work area clean and well lit.** Cluttered or dark areas invite accidents.
- ▶ **Do not operate power tools in explosive atmospheres, such as in the presence of flammable liquids, gases or dust.** Power tools create sparks which may ignite the dust or fumes.
- ▶ **Keep children and bystanders away while operating a power tool.** Distractions can cause you to lose control.

Electrical safety

- ▶ **Power tool plugs must match the outlet. Never modify the plug in any way. Do not use any adapter plugs with earthed (grounded) power tools.** Unmodified plugs and matching outlets will reduce risk of electric shock.
- ▶ **Avoid body contact with earthed or grounded surfaces, such as pipes, radiators, ranges and refrigerators.** There is an increased risk of electric shock if your body is earthed or grounded.
- ▶ **Do not expose power tools to rain or wet conditions.** Water entering a power tool will increase the risk of electric shock.
- ▶ **Do not abuse the cord. Never use the cord for carrying, pulling or unplugging the power tool. Keep cord away from heat, oil, sharp edges or moving parts.** Damaged or entangled cords increase the risk of electric shock.
- ▶ **When operating a power tool outdoors, use an extension cord suitable for outdoor use.** Use of a cord suitable for outdoor use reduces the risk of electric shock.



- ▶ **If operating a power tool in a damp location is unavoidable, use a residual current device (RCD) protected supply.** Use of an RCD reduces the risk of electric shock.

Personal safety

- ▶ **Stay alert, watch what you are doing and use common sense when operating a power tool. Do not use a power tool while you are tired or under the influence of drugs, alcohol or medication.** A moment of inattention while operating power tools may result in serious personal injury.
- ▶ **Use personal protective equipment. Always wear eye protection.** Protective equipment such as dust mask, non-skid safety shoes, hard hat, or hearing protection used for appropriate conditions will reduce personal injuries.
- ▶ **Prevent unintentional starting. Ensure the switch is in the off-position before connecting to power source and/or battery pack, picking up or carrying the tool.** Carrying power tools with your finger on the switch or energising power tools that have the switch on invites accidents.
- ▶ **Remove any adjusting key or wrench before turning the power tool on.** A wrench or a key left attached to a rotating part of the power tool may result in personal injury.
- ▶ **Do not overreach. Keep proper footing and balance at all times.** This enables better control of the power tool in unexpected situations.
- ▶ **Dress properly. Do not wear loose clothing or jewellery. Keep your hair, clothing and gloves away from moving parts.** Loose clothes, jewellery or long hair can be caught in moving parts.
- ▶ **If devices are provided for the connection of dust extraction and collection facilities, ensure these are connected and properly used.** Use of dust collection can reduce dust-related hazards.

Power tool use and care

- ▶ **Do not force the power tool. Use the correct power tool for your application.** The correct power tool will do the job better and safer at the rate for which it was designed.
- ▶ **Do not use the power tool if the switch does not turn it on and off.** Any power tool that cannot be controlled with the switch is dangerous and must be repaired.
- ▶ **Disconnect the plug from the power source and/or the battery pack from the power tool before making any adjustments, changing accessories, or storing power tools.** Such preventive safety measures reduce the risk of starting the power tool accidentally.
- ▶ **Store idle power tools out of the reach of children and do not allow persons unfamiliar with the power tool or these instructions to operate the power tool.** Power tools are dangerous in the hands of untrained users.
- ▶ **Maintain power tools. Check for misalignment or binding of moving parts, breakage of parts and any other condition that may affect the power tool's operation. If damaged, have the power tool repaired before use.** Many accidents are caused by poorly maintained power tools.
- ▶ **Keep cutting tools sharp and clean.** Properly maintained cutting tools with sharp cutting edges are less likely to bind and are easier to control.
- ▶ **Use the power tool, accessories and tool bits etc. in accordance with these instructions, taking into account the working conditions and the work to be performed.** Use of the power tool for operations different from those intended could result in a hazardous situation.

Service

- ▶ **Have your power tool serviced by a qualified repair person using only identical replacement parts.** This will ensure that the safety of the power tool is maintained.

2.2 Hammer safety warnings

- ▶ **Wear ear protectors.** Exposure to noise can cause hearing loss.
- ▶ **Use auxiliary handles, if supplied with the tool.** Loss of control can cause personal injury.
- ▶ **Hold power tool by insulated gripping surfaces, when performing an operation where the cutting accessory may contact hidden wiring or its own cord.** Cutting accessory contacting a "live" wire may make exposed metal parts of the power tool "live" and could give the operator an electric shock.

2.3 Additional safety instructions

Personal safety

- ▶ Use the tool only when it is in technically faultless condition.
- ▶ Never tamper with or modify the tool in any way.
- ▶ Apply appropriate safety measures at the opposite side of the workpiece in work that involves breaking through. Parts breaking away could fall out and / or fall down causing injury to other persons.
- ▶ Check that the side handle is fitted correctly and tightened securely. Always hold the tool securely with both hands on the grips provided. Keep the grips dry, clean and free from oil and grease.



- ▶ Take breaks between working and do physical exercises to improve the blood circulation in your fingers. Exposure to vibration during long periods of work can lead to disorders of the blood vessels and nervous system in the fingers, hands and wrists.
- ▶ The tool is not intended for use by debilitated persons who have received no special training.
- ▶ Keep the power tool out of reach of children.
- ▶ Before beginning the work, check the hazard classification of the dust that will be produced. Use an industrial vacuum cleaner with an officially approved protection classification in compliance with locally applicable dust protection regulations.
- ▶ Use a dust removal system and suitable vacuum cleaner whenever possible. Dust from materials, such as paint containing lead, some wood species, concrete/masonry/stone containing silica, and minerals as well as metal, may be harmful.
- ▶ Make sure that the workplace is well ventilated and, where necessary, wear a respirator appropriate for the type of dust generated. Contact with or inhalation of the dust may cause allergic reactions and/or respiratory or other diseases to the operator or bystanders. Certain kinds of dust are classified as carcinogenic such as oak and beech dust, especially in conjunction with additives for wood conditioning (chromate, wood preservative). Material containing asbestos may be handled only by specialists.

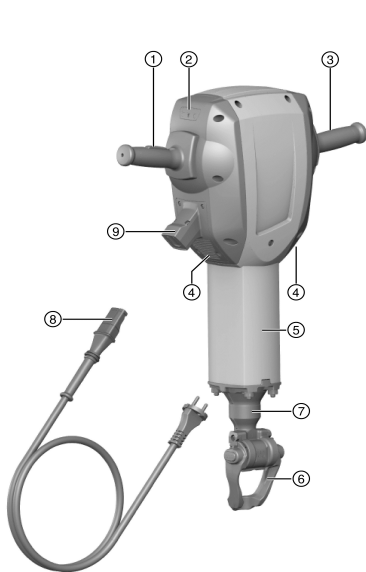
Electrical safety

- ▶ Before beginning work, check the working area for concealed electric cables or gas and water pipes. You may receive an electric shock from external metal parts of the power tool if you damage an electric cable accidentally.
- ▶ Check the power tool's supply cord at regular intervals and have it replaced by a qualified specialist if found to be damaged. If the power tool's supply cord is damaged it must be replaced with a specially-prepared and approved supply cord available from Hilti Customer Service. Check extension cords at regular intervals and replace them if found to be damaged. Do not touch the supply cord or extension cord if it is damaged while working. Disconnect the supply cord plug from the power outlet. Damaged supply cords or extension cords present a risk of electric shock.
- ▶ Dirty or dusty power tools that have been used frequently for work on conductive materials should be checked at regular intervals at a **Hilti** Service Center. Dust (especially dust from conductive materials) or dampness adhering to the surface of the tool may, under unfavorable conditions, lead to electric shock.
- ▶ Switch the power tool off and unplug the supply cord in the event of a power failure or interruption in the electric supply. This will prevent accidental restarting when the electric power returns.



3 Description

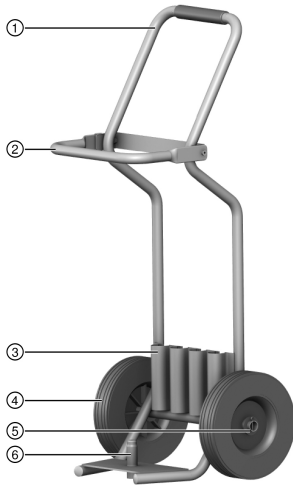
3.1 Overview of the product



- ① On/off switch
- ② Service indicator
- ③ Grip
- ④ Air vents
- ⑤ Guide tube
- ⑥ Accessory tool retainer / locking bar
- ⑦ Chuck
- ⑧ Supply cord with keyed, releasable plug connector
- ⑨ Connector on electric tool



3.2 Transport trolley components 2



- ① Grip
- ② Locking bar
- ③ Holder for accessory tools (chisels)
- ④ Wheels
- ⑤ Wheel securing parts (washer, retaining pin)
- ⑥ Power tool locating pin

3.3 Intended use

The product described is a hand-held electric breaker with 28 mm hex chuck. It is designed for chiseling work on concrete, masonry and asphalt. Excavation and compacting are further possible applications.

- ▶ Operation is permissible only when connected to a power source providing a voltage and frequency in compliance with the information given on the type identification plate.


3.4 Possible misuse

This product is not suitable for working on hazardous materials.
This product is not suitable for working in a damp environment.

3.5 Service indicator

The breaker is equipped with a service indicator LED.

Status	Meaning
The service indicator lights red.	End of service interval – servicing is due. A fault has occurred in the tool.
The service indicator blinks red.	Protection against overheating The voltage provided by the electric supply is too high.

 Bring the product to **Hilti Service** in good time. This will help to ensure that it's always ready for use.

3.6 Active Vibration Reduction (AVR)

The breaker is equipped with an Active Vibration Reduction (AVR) system, which reduces vibration significantly.



3.7 Items supplied

Electric breaker, operating instructions, grease.
The transport trolley is available as an accessory.

You can find other system products approved for your product at your local **Hilti** Center or online at: www.hilti.group

4 Technical data

For details of the rated voltage, current, frequency and/or input power, please refer to the power tool's country-specific type identification plate.

When powered by a generator or transformer, the generator or transformer's power output must be at least twice the rated input power shown on the rating plate of the power tool. The operating voltage of the transformer or generator must always be within +5% and -15% of the rated voltage of the power tool.

	TE 3000-AVR
Weight in accordance with EPTA procedure 01	29.9 kg
Single impact energy in accordance with the EPTA procedure	68 J
Storage temperature	-20 °C ... 70 °C
Ambient temperature for operation	-17 °C ... 60 °C

4.1 Noise information and vibration values in accordance with EN 62841

The sound pressure and vibration values given in these instructions have been measured in accordance with a standardized test and may be used to compare one power tool with another. They may be used for a preliminary assessment of exposure.

The data given represents the main applications of the power tool. However, if the power tool is used for different applications, with different accessory tools or is poorly maintained, the data may vary. This may significantly increase exposure over the total working period.

An accurate estimation of exposure should also take into account the times when the power tool is switched off, or when it is running but not actually being used for a job. This may significantly reduce exposure over the total working period.

Identify additional safety measures to protect the operator from the effects of noise and/or vibration, for example: Maintaining the power tool and accessory tools, keeping the hands warm, organization of work patterns.

Noise information

Sound (power) level (L_{WA})	105 dB(A)
Uncertainty for the sound power level (K_{WA})	3 dB(A)
Sound pressure level (L_{pA})	94 dB(A)
Uncertainty for the sound pressure level (K_{pA})	3 dB(A)

Vibration information

Chiseling ($a_h, Cheq$)	7 m/s ²
Uncertainty (K)	1.5 m/s ²

4.2 Using extension cords

WARNING

A damaged supply cord presents a hazard! Do not touch the supply cord or extension cord if damaged while working. Disconnect the supply cord plug from the power outlet.

- ▶ Check the appliance's supply cord at regular intervals and have it replaced by a qualified specialist if found to be damaged.



- Use only extension cords of a type approved for the application and with conductors of adequate gauge (cross section). The power tool may otherwise suffer a drop in performance and the extension cord may overheat.
- Check the extension cord for damage at regular intervals.
- Replace damaged extension cords.
- When working outdoors, use only extension cords that are approved and correspondingly marked for this application.

Recommended minimum conductor cross-section and maximum power-cord length for 120V supply voltage

Cord	AWG 16	AWG 14	AWG 12	AWG 10
Conductor cross-section	1,31 mm ²	2,08 mm ²	3,31 mm ²	5,26 mm ²
Conductor cross-section	2,58 kcmil	4,11 kcmil	6,53 kcmil	10,4 kcmil
Cord length	25 m	30 m	50 m	100 m
Cord length	75 ft	100 ft	150 ft	250 ft

5 Operation

5.1 Preparations at the workplace

CAUTION

Risk of injury! Inadvertent starting of the product.

- ▶ Unplug the supply cord before making adjustments to the power tool or before changing accessories.

Observe the safety instructions and warnings in this documentation and on the product.

5.1.1 Fitting the accessory tool



Check the accessory tool for damage or uneven wear each time before use and replace it if necessary. Check that the locking bar is clean and undamaged.

1. Apply a little grease to the connection end of the accessory tool.
2. Open the locking bar.
3. Push the accessory tool into the chuck as far as it will go.
4. For accessory tools with a collar, bring the retaining bar into locking position A.
5. For accessory tools with a locking groove, bring the retaining bar into locking position B.
 - ↳ Position the chisel so that the groove is facing locking position B.
6. Check that the chisel has engaged correctly by gripping and pulling it.
 - ↳ Insert tools with a combined connection end (with collar and groove) can be locked in position A or B, as desired.



Use only the recommended grease supplied by **Hilti**. Use of unsuitable grease may cause damage to the product.

5.1.2 Removing the accessory tool

WARNING

Risk of injury! The accessory tool gets hot during use and may also have sharp edges.

- ▶ Wear protective gloves when changing the tool.

DANGER

Risk of fire! Risk of contact between the hot accessory tool and highly inflammable materials.

- ▶ Do not lay the hot accessory tool down on highly inflammable materials.

WARNING

Risk of injury! Risk of burning injuries caused by hot surfaces.

- ▶ Avoid touching the guide tube as this part gets hot through use of the power tool.



1. Open the locking bar.
2. Pull the accessory tool out of the chuck.

5.2 Detachable supply cord

CAUTION

Risk of injury! Due to leakage current as a result of dirty contacts.

- ▶ Connect the detachable electric connector to the electric tool only when it is clean and dry and when the supply cord is unplugged from the power outlet.
-
- ▶ Connect / disconnect the detachable supply cord.

5.2.1 Connecting the detachable supply cord

CAUTION

Risk of injury! Due to leakage current as a result of dirty contacts.

- ▶ Connect the detachable electric connector to the electric tool only when it is clean and dry and when the supply cord is unplugged from the power outlet.
-
1. Push the keyed, detachable electric plug connector into the socket as far as it will go, until it is heard to engage.
 2. Plug the supply cord into the power outlet.

5.2.2 Disconnecting the detachable supply cord

1. Unplug the supply cord from the power outlet.
2. Press the release button and pull the keyed, detachable electric plug connector out of the socket.
3. Pull the supply cord connector out of the power tool.

6 Care and maintenance

WARNING

Risk of injury with battery inserted !

- ▶ Always remove the battery before carrying out care and maintenance tasks!

Care and maintenance of the tool

- Carefully remove stubborn dirt.
- Clean the air vents carefully with a dry brush.
- Use only a slightly damp cloth to clean the casing. Do not use cleaning agents containing silicone as these can attack the plastic parts.

Care of the Li-ion batteries

- Keep the battery free from oil and grease.
- Use only a slightly damp cloth to clean the casing. Do not use cleaning agents containing silicone as these may attack the plastic parts.
- Avoid ingress of moisture.

Maintenance

- Check all visible parts and controls for signs of damage at regular intervals and make sure that they all function correctly.
- Do not operate the product if signs of damage are found or if parts malfunction. Have it repaired immediately by **Hilti Service**.
- After cleaning and maintenance, fit all guards or protective devices and check that they function correctly.



To help ensure safe and reliable operation, use only genuine Hilti spare parts and consumables. Spare parts, consumables and accessories approved by Hilti for use with the product can be found at your local **Hilti Store** or online at: **www.hilti.group**.

7 Transport and storage

- Do not transport electric tools with accessory tools fitted.
- Always unplug the supply cord before storing an electric tool or appliance.



- Store tools and appliances in a dry place where they cannot be accessed by children or unauthorized persons.
- Check electric tools or appliances for damage after long periods of transport or storage.

8 Troubleshooting

If the trouble you are experiencing is not listed in this table or you are unable to remedy the problem by yourself, please contact **Hilti Service**.

8.1 Troubleshooting

Trouble or fault	Possible cause	Action to be taken
The breaker doesn't start.	Electronics initialization in progress (takes up to 4 seconds after plugging in). The electronic restart interlock is activated after an interruption in the electric supply.	▶ Switch the power tool off and then on again.
	Interruption in the electric supply.	▶ Plug in another electric tool or appliance and check whether it works.
	The generator is in sleep mode.	▶ Apply a load to the generator by connecting a second power consumer (e.g. worklight). Switch the tool off and then on again.
	The detachable supply cord is not fitted correctly.	▶ Fit the detachable supply cord to the power tool correctly.
The service indicator lights red.	The tool is faulty or servicing is due.	▶ Have the product repaired only by Hilti Service .
The service indicator blinks red.	The voltage provided by the electric supply is too high.	▶ Use a different power outlet. Check the electric supply.
	The overheating prevention cut-out has been activated.	▶ Allow the tool to cool down. Clean the air vents. Running under no load is still possible.
No hammering action.	The power tool is too cold.	▶ Bring the tip of the accessory tool into contact with the working surface, switch the power tool on and allow it to run. If necessary, repeat the procedure until the hammering mechanism begins to operate.
The breaker doesn't start or cuts out during operation.	The extension cord is too long or its gauge is inadequate.	▶ Use an extension cord of an approved length and / or of adequate gauge.

9 Disposal

Most of the materials from which **Hilti** tools and appliances are manufactured can be recycled. The materials must be correctly separated before they can be recycled. In many countries, your old tools, machines or appliances can be returned to **Hilti** for recycling. Ask **Hilti Service** or your Hilti representative for further information.



- ▶ Do not dispose of power tools, electronic equipment or batteries as household waste!

10 RoHS (Restriction of Hazardous Substances)

Click on the link to go to the table of hazardous substances: qr.hilti.com/r4783.

There is a link to the RoHS table, in the form of a QR code, at the end of this document.



11 Manufacturer's warranty

- ▶ Please contact your local **Hilti** representative if you have questions about the warranty conditions.



1 Indications relatives à la documentation

1.1 À propos de cette documentation

- Lire intégralement la présente documentation avant la mise en service. C'est la condition préalablement requise pour assurer la sécurité du travail et un maniement sans perturbations.
- Bien respecter les consignes de sécurité et les avertissements de la présente documentation ainsi que celles figurant sur le produit.
- Toujours conserver le mode d'emploi à proximité du produit et uniquement le transmettre à des tiers avec ce mode d'emploi.

1.2 Explication des symboles

1.2.1 Avertissements

Les avertissements attirent l'attention sur des dangers liés à l'utilisation du produit. Les termes de signalisation suivants sont utilisés :



DANGER

DANGER !

- Pour un danger imminent qui peut entraîner de graves blessures corporelles ou la mort.



AVERTISSEMENT

AVERTISSEMENT !

- Pour un danger potentiel qui peut entraîner de graves blessures corporelles ou la mort.



ATTENTION

ATTENTION !

- Pour attirer l'attention sur une situation pouvant présenter des dangers entraînant des blessures corporelles légères ou des dégâts matériels.

1.2.2 Symboles dans la documentation

Les symboles suivants sont utilisés dans la présente documentation :



Lire le mode d'emploi avant d'utiliser l'appareil



Pour des conseils d'utilisation et autres informations utiles



Maniement des matériaux recyclables



Ne pas jeter les appareils électriques et les accus dans les ordures ménagères

1.2.3 Symboles dans les illustrations

Les symboles suivants sont utilisés dans les illustrations :

2

Ces chiffres renvoient à l'illustration correspondante au début du présent mode d'emploi

3

La numérotation détermine la séquence des étapes de travail dans l'image et peut se différencier de celles des étapes de travail dans le texte

⑪

Les numéros de position sont utilisés dans l'illustration **Vue d'ensemble** et renvoient aux numéros des légendes dans la section **Vue d'ensemble du produit**



Ce signe doit inviter à manier le produit en faisant particulièrement attention.

1.3 Symboles sur le produit

1.3.1 Symboles sur le produit

Les symboles suivants peuvent être utilisés sur le produit :



	Classe de protection II (double isolation)
	Transport par pont roulant ou grue interdit
	Transmission de données sans fil

1.4 Informations produit

Les produits **Hilti** sont conçus pour les utilisateurs professionnels et ne doivent être utilisés, entretenus et réparés que par un personnel agréé et formé à cet effet. Ce personnel doit être au courant des dangers inhérents à l'utilisation de l'appareil. Le produit et ses accessoires peuvent s'avérer dangereux s'ils sont utilisés de manière incorrecte par un personnel non qualifié ou de manière non conforme à l'usage prévu. La désignation du modèle et le numéro de série figurent sur sa plaque signalétique.

- ▶ Inscrivez le numéro de série dans le tableau suivant. Les informations produit vous seront demandées lorsque vous contactez nos revendeurs ou services après-vente.

Caractéristiques produit → Page 13

Caractéristiques produit

Burineur	TE 3000-AVR
Génération	01
N° de série	

1.5 Déclaration de conformité

Nous déclarons sous notre seule et unique responsabilité que le produit décrit ici est conforme aux directives et normes en vigueur. Une copie de la Déclaration de conformité se trouve en fin de la présente documentation.

Pour obtenir les documentations techniques, s'adresser à :

Hilti Entwicklungsgesellschaft mbH | Zulassung Geräte | Hiltistraße 6 | 86916 Kaufering, DE

2 Sécurité

2.1 Indications générales de sécurité pour les outils électriques

⚠ AVERTISSEMENT Lire et comprendre toutes les consignes de sécurité et instructions. Tout manquement à l'observation des consignes de sécurité et instructions risque de provoquer une électrocution, un incendie et/ou de graves blessures.

Les consignes de sécurité et instructions doivent être intégralement conservées pour les utilisations futures.

La notion d'« outil électroportatif » mentionnée dans les consignes de sécurité se rapporte à des outils électriques raccordés au secteur (avec câble de raccordement) et à des outils électriques sur accu (sans câble de raccordement).

Sécurité sur le lieu de travail

- ▶ **Conserver la zone de travail propre et bien éclairée.** Un lieu de travail en désordre ou mal éclairé augmente le risque d'accidents.
- ▶ **Ne pas faire fonctionner les outils électriques en atmosphère explosive et où se trouvent des liquides, des gaz ou poussières inflammables.** Les outils électriques produisent des étincelles qui peuvent enflammer les poussières ou les fumées.
- ▶ **Maintenir les enfants et les personnes présentes à l'écart pendant l'utilisation de l'outil électroportatif.** En cas d'inattention il y a un risque de perdre le contrôle de l'appareil.

Sécurité relative au système électrique

- ▶ **La fiche de secteur de l'outil électroportatif doit être adaptée à la prise de courant. Ne jamais modifier la fiche de quelque façon que ce soit. Ne pas utiliser d'adaptateurs avec des outils électriques à branchement de terre.** Des fiches non modifiées et des prises de courant adaptées réduiront le risque de choc électrique.
- ▶ **Éviter le contact physique avec des surfaces mises à la terre tels que tuyaux, radiateurs, cuisinières et réfrigérateurs.** Il y a un risque élevé de choc électrique au cas où votre corps serait relié à la terre.
- ▶ **Ne pas exposer les outils électroportatifs à la pluie ou à l'humidité.** La pénétration d'eau à l'intérieur d'un outil électroportatif augmentera le risque d'un choc électrique.



- ▶ **Ne jamais utiliser le cordon à d'autres fins que celles prévues, telles que pour porter, accrocher ou débrancher l'outil électroportatif de la prise de courant. Maintenir le cordon à l'écart de la chaleur, des parties grasses, des bords tranchants ou des parties de l'appareil en mouvement.** Des cordons endommagés ou emmêlés augmentent le risque de choc électrique.
- ▶ **Si l'outil électroportatif est utilisé à l'extérieur, utiliser uniquement une rallonge homologuée pour les applications extérieures.** L'utilisation d'une rallonge électrique homologuée pour les applications extérieures diminue le risque d'un choc électrique.
- ▶ **Si l'utilisation de l'outil électrique dans un environnement humide ne peut pas être évitée, utiliser un interrupteur de protection contre les courants de court-circuit.** L'utilisation d'un tel interrupteur de protection réduit le risque d'une décharge électrique.

Sécurité des personnes

- ▶ **Rester vigilant, surveiller ce que l'on fait. Faire preuve de bon sens en utilisant l'outil électroportatif. Ne pas utiliser l'outil électroportatif si vous êtes fatigué ou sous l'emprise de l'alcool, de drogues ou de médicaments.** Un moment d'inattention lors de l'utilisation de l'outil électroportatif peut entraîner des blessures graves.
- ▶ **Utiliser un équipement de sécurité et toujours porter une protection pour les yeux.** Les équipements de protection personnels tels que masque antipoussière, chaussures de sécurité antidérapantes, casque de protection ou protection acoustique suivant l'utilisation de l'outil électroportatif, réduiront le risque de blessures des personnes.
- ▶ **Éviter une mise en service par mégarde. S'assurer que l'outil électroportatif est arrêté avant de le brancher à la source de courant et/ou à l'accu, de le prendre ou de le porter.** Le fait de porter l'outil électroportatif avec le doigt sur l'interrupteur ou de brancher l'appareil sur la source de courant lorsque l'interrupteur est en position de fonctionnement peut entraîner des accidents.
- ▶ **Retirer tout outil de réglage ou toute clé avant de mettre l'outil électroportatif en fonctionnement.** Une clé ou un outil se trouvant sur une partie en rotation peut causer des blessures.
- ▶ **Adopter une bonne posture. Veiller à toujours garder une position stable et équilibrée.** Cela permet un meilleur contrôle de l'outil électroportatif dans des situations inattendues.
- ▶ **S'habiller de manière adaptée. Ne pas porter de vêtements amples ni de bijoux. Garder les cheveux, les vêtements et les gants à distance des parties en mouvement.** Des vêtements amples, des bijoux ou des cheveux longs peuvent être happés par des parties en mouvement.
- ▶ **Si des dispositifs servant à aspirer ou à recueillir les poussières doivent être utilisés, s'assurer qu'ils sont effectivement raccordés et correctement utilisés.** L'utilisation d'un dispositif d'aspiration de la poussière peut réduire les risques dus aux poussières.

Utilisation et maniement de l'outil électroportatif

- ▶ **Ne pas forcer l'appareil. Utiliser l'outil électroportatif adapté au travail à effectuer.** Un outil électroportatif approprié réalisera mieux le travail et de manière plus sûre au régime pour lequel il a été conçu.
- ▶ **Ne pas utiliser d'outil électroportatif dont l'interrupteur est défectueux.** Tout outil électroportatif qui ne peut plus être mis en ou hors fonctionnement est dangereux et doit être réparé.
- ▶ **Débrancher la fiche de la prise de courant et/ou l'accu avant d'effectuer des réglages sur l'appareil, de changer les accessoires, ou de ranger l'appareil.** Cette mesure de précaution empêche une mise en fonctionnement par mégarde de l'outil électroportatif.
- ▶ **Conserver les outils électroportatifs non utilisés hors de portée des enfants. Ne pas permettre l'utilisation de l'appareil à des personnes qui ne se sont pas familiarisées avec celui-ci ou qui n'ont pas lu ces instructions.** Les outils électroportatifs sont dangereux lorsqu'ils sont entre les mains de personnes non initiées.
- ▶ **Prendre soin des outils électroportatifs. Vérifier que les parties en mouvement fonctionnent correctement et qu'elles ne sont pas coincées, et contrôler si des parties sont cassées ou endommagées de sorte que le bon fonctionnement de l'outil électroportatif s'en trouve entravé. Faire réparer les parties endommagées avant d'utiliser l'appareil.** De nombreux accidents sont dus à des outils électroportatifs mal entretenus.
- ▶ **Garder les outils de coupe affûtés et propres.** Des outils destinés à couper correctement entretenus avec des bords tranchants bien aiguisés se coincent moins souvent et peuvent être guidés plus facilement.
- ▶ **L'outil électroportatif, les accessoires, les outils amovibles, etc. doivent être utilisés conformément à ces instructions. Tenir également compte des conditions de travail et du travail à réaliser.** L'utilisation des outils électroportatifs à d'autres fins que celles prévues peut entraîner des situations dangereuses.



Service

- ▶ **L'outil électroportatif doit uniquement être réparé par un personnel qualifié, utilisant exclusivement des pièces de rechange d'origine.** Ceci permet d'assurer la sécurité de l'outil électroportatif.

2.2 Indications générales de sécurité applicables aux burineurs

- ▶ **Porter un casque antibruit.** Le bruit peut entraîner des pertes auditives.
- ▶ **Utiliser la poignée supplémentaire livrée avec l'appareil.** La perte de contrôle peut entraîner des blessures.
- ▶ **Tenir l'appareil par les surfaces isolées des poignées lors des travaux pendant lesquels l'accessoire risque de toucher des câbles électriques cachés ou son propre câble d'alimentation réseau.** Le contact avec un câble sous tension risque de mettre les parties métalliques de l'appareil sous tension et de provoquer une décharge électrique.

2.3 Consignes de sécurité supplémentaires

Sécurité des personnes

- ▶ Utiliser l'appareil uniquement s'il est en parfait état.
- ▶ Ne jamais entreprendre de manipulation ou de modification sur l'appareil.
- ▶ Lors de travaux d'ajourage, protéger l'espace du côté opposé aux travaux. Des morceaux de matériaux risquent d'être éjectés et / ou de tomber, et de blesser d'autres personnes.
- ▶ S'assurer que la poignée latérale est bien montée et correctement serrée. Toujours tenir l'appareil des deux mains par les poignées prévues à cet effet. Veiller à ce que les poignées soient toujours sèches, propres et exemptes de traces de graisse et d'huile.
- ▶ Faire régulièrement des pauses et des exercices pour favoriser l'irrigation sanguine dans les doigts. En cas de travaux prolongés, les vibrations peuvent perturber la circulation dans les vaisseaux sanguins ou le système nerveux dans les doigts, les mains ou le poignet.
- ▶ L'appareil n'est pas destiné à être utilisé par des personnes affaiblies sans encadrement.
- ▶ L'appareil doit être tenu à l'écart des enfants.
- ▶ Avant le début du travail, prendre connaissance de la classe de risque de la poussière générée lors des travaux. Utiliser un aspirateur avec une classification de sécurité autorisée officiellement et conforme aux dispositions locales concernant les poussières.
- ▶ Dans la mesure du possible, utiliser un dispositif d'aspiration des poussières ainsi qu'un dépoussiéreur mobile adéquat. Les poussières de matériaux telles que des peintures contenant du plomb, certains types de bois, du béton / de la maçonnerie / des pierres naturelles qui contiennent du quartz ainsi que des minéraux et des métaux peuvent être nuisibles à la santé.
- ▶ Veiller à ce que le poste de travail soit bien ventilé et porter, le cas échéant, un masque de protection respiratoire adapté au type de poussières. Le contact ou l'aspiration de poussière peut provoquer des réactions allergiques et/ou des maladies respiratoires de l'utilisateur ou de toute personne se trouvant à proximité. Certaines poussières, telles que des poussières de chêne ou de hêtre, sont réputées être cancérigènes, en particulier lorsqu'elles sont combinées à des additifs destinés au traitement du bois (chromate, produit de protection du bois). Les matériaux contenant de l'amiante doivent seulement être manipulés par un personnel spécialisé.

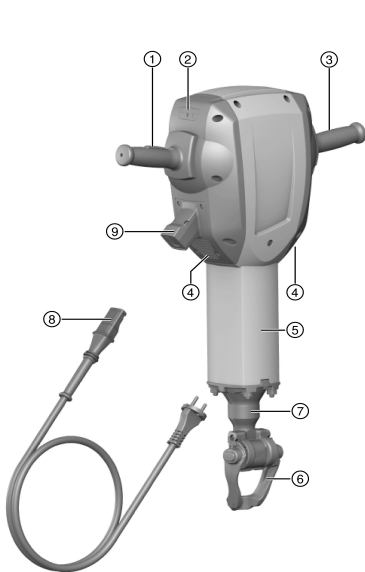
Sécurité relative au système électrique

- ▶ Avant d'entamer le travail, vérifier qu'il n'y a pas de câbles ou gaines électriques, tuyaux de gaz ou d'eau cachés dans la zone d'intervention. Toutes pièces métalliques extérieures de l'appareil sont susceptibles de provoquer une décharge électrique si un câble électrique est endommagé par inadvertance.
- ▶ Contrôler régulièrement les câbles de raccordement de l'appareil et les faire remplacer par un spécialiste s'ils sont endommagés. Si le câble de raccordement de l'appareil électrique est endommagé, il doit être remplacé par un câble de raccordement spécialement préparé et autorisé, disponible auprès du service après-vente. Contrôler régulièrement les câbles de rallonge et les remplacer s'ils sont endommagés. Si le câble d'alimentation réseau ou de rallonge est endommagé pendant le travail, ne pas le toucher. Débrancher la fiche de la prise. Les cordons d'alimentation et câbles de rallonge endommagés représentent un danger d'électrocution.
- ▶ Si le travail s'effectue souvent sur des matériaux conducteurs, faire réviser les appareils encrassés par le S.A.V. Hilti à intervalles réguliers. Dans de mauvaises conditions d'utilisation, la poussière collée à la surface de l'appareil, surtout la poussière de matériaux conducteurs, ou l'humidité, peut entraîner une électrocution.
- ▶ En cas de coupure de courant, arrêter l'appareil et retirer la fiche de la prise. Cette mesure de précaution empêche une mise en fonctionnement par mégarde de l'appareil lorsque le courant est rétabli.



3 Description

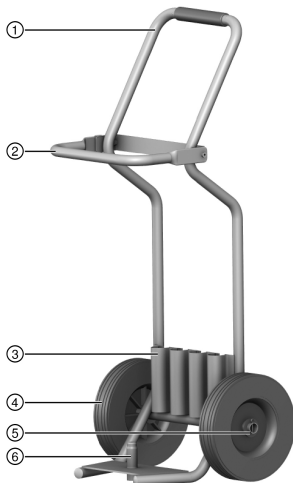
3.1 Vue d'ensemble du produit



- ① Interrupteur Marche / Arrêt
- ② Indicateur de maintenance
- ③ Poignée
- ④ Ouies d'aération
- ⑤ Tube de guidage
- ⑥ Dispositif de verrouillage de l'outil/ étrier de verrouillage
- ⑦ Mandrin
- ⑧ Câble d'alimentation avec connecteur codé débranchable
- ⑨ Branchement à l'appareil électrique



3.2 Composants du chariot de transport 2



- ① Poignée
- ② Étrier de retenue
- ③ Support pour consommables (burin)
- ④ Roues
- ⑤ Fixation de sécurité de la roue (rondelle, goupille de retenue)
- ⑥ Mandrin porte-machine

3.3 Utilisation conforme à l'usage prévu

Le produit décrit est un burineur à guidage manuel pourvu d'un porte-outil hexagonal de 28 mm. Il est destiné aux travaux de burinage dans le béton, la maçonnerie et l'asphalte. D'autres applications sont le pilonnage et le creusement.

- ▶ L'appareil ne doit fonctionner qu'avec la tension réseau et la fréquence réseau indiquées sur la plaque signalétique.

3.4 Mauvaise utilisation possible

Ce produit ne convient pas pour travailler des matériaux dangereux pour la santé.

Ce produit n'est pas conçu pour travailler dans un environnement humide.

3.5 Indicateur de maintenance

Le burineur est doté d'un indicateur de maintenance avec signal lumineux.

État	Signification
L'indicateur de maintenance s'allume en rouge.	La durée de fonctionnement pour une maintenance est atteinte. Dommages sur l'appareil.
L'indicateur de maintenance clignote en rouge.	Protection contre les surchauffes La source d'alimentation électrique a une tension trop élevée.



Apporter le produit en temps voulu au S.A.V. Hilti. Il reste toujours prêt à fonctionner.



3.6 Active Vibration Reduction (AVR)

Le burineur est équipé d'un système Active Vibration Reduction (AVR) qui réduit de manière significative les vibrations.

3.7 Éléments livrés

Burineur, mode d'emploi, graisse.

Le chariot de transport est proposé en option.



D'autres produits système autorisés pour votre produit peuvent être obtenus auprès du S.A.V. Hilti ou en ligne sous : www.hilti.group

4 Caractéristiques techniques



Les données de tension nominale, courant nominal, fréquence et / ou consommation nominale figurent sur la plaque signalétique spécifique au pays.

En cas d'utilisation avec un groupe électrogène ou un transformateur, leur puissance d'alimentation doit être au moins égale au double de la puissance indiquée sur la plaque signalétique de l'appareil. La tension de service du groupe électrogène ou du transformateur doit être toujours comprise entre +5 % et -15 % par rapport à la tension nominale de l'appareil.

	TE 3000-AVR
Poids selon la procédure EPTA 01	29,9 kg
Énergie libérée par coup selon la procédure EPTA	68 J
Température de stockage	-20 °C ... 70 °C
Température ambiante en cours de service	-17 °C ... 60 °C

4.1 Valeurs d'émissions acoustiques et de vibrations selon EN 62841

Les valeurs de pression acoustique et de vibrations mentionnées dans ces instructions ont été mesurées conformément à un procédé de mesure normalisé et peuvent être utilisées comme base de comparaison entre outils électroportatifs. Elles servent également à une évaluation préalable de l'exposition aux bruits et aux vibrations.

Les indications fournies correspondent aux principales applications de l'outil électroportatif. Ces données peuvent néanmoins différer si l'outil électroportatif est utilisé pour d'autres applications, avec des outils amovibles différents ou que l'entretien s'avère insuffisant. Ceci peut augmenter considérablement les contraintes d'exposition dans tout l'espace de travail.

Pour une évaluation précise des expositions, il convient également de prendre en compte les temps durant lesquels l'appareil est arrêté ou marche à vide. Ceci peut réduire considérablement les contraintes d'exposition dans tout l'espace de travail.

Par ailleurs, il convient de prendre des mesures de sécurité supplémentaires en vue de protéger l'utilisateur des effets du bruit/ des vibrations, telles que : bien entretenir l'outil électroportatif ainsi que les outils amovibles, maintenir les mains chaudes, optimiser l'organisation des opérations.

Valeurs d'émissions acoustiques

Niveau de puissance acoustique (L_{WA})	105 dB(A)
Incertitude sur le niveau de puissance acoustique (K_{WA})	3 dB(A)
Niveau de puissance acoustique (L_{pA})	94 dB(A)
Incertitude sur le niveau de pression acoustique (K_{pA})	3 dB(A)

Valeurs de vibrations

Burinage ($a_{h, Cheq}$)	7 m/s ²
Incertitude (K)	1,5 m/s ²



4.2 Utilisation de câbles de rallonge

AVERTISSEMENT

Danger engendré par un câble endommagé ! Si le câble d'alimentation réseau ou de rallonge est endommagé pendant le travail, ne pas le toucher. Débrancher la prise.

- ▶ Contrôler régulièrement les câbles de raccordement de l'appareil et les faire remplacer par un spécialiste s'ils sont endommagés.
-
- Utiliser uniquement des câbles de rallonge homologués pour le champ d'action correspondant et de section suffisante. Sinon, il peut y avoir une perte de puissance à proximité de l'appareil et une surchauffe du câble.
 - Contrôler régulièrement si le câble de rallonge n'est pas endommagé.
 - Remplacer les câbles de rallonge endommagés.
 - À l'extérieur, n'utiliser que des câbles de rallonge homologués avec le marquage correspondant.

Sections minimales recommandées et longueurs maximales de câbles avec une tension de secteur de 120 V

Câble	AWG 16	AWG 14	AWG 12	AWG 10
Section du conducteur	1,31 mm ²	2,08 mm ²	3,31 mm ²	5,26 mm ²
Section du conducteur	2,58 kcmil	4,11 kcmil	6,53 kcmil	10,4 kcmil
Longueur de câble	25 m	30 m	50 m	100 m
Longueur de câble	75 ft	100 ft	150 ft	250 ft

5 Utilisation

5.1 Préparatifs

ATTENTION

Risque de blessures ! Mise en marche inopinée du produit.

- ▶ Retirer la fiche de la prise avant d'effectuer des réglages sur l'appareil ou de changer les accessoires.

Bien respecter les consignes de sécurité et les avertissements de la présente documentation ainsi que celles figurant sur le produit.

5.1.1 Mise en place de l'outil amovible

Avant chaque utilisation, vérifier que l'outil n'est pas endommagé et qu'il ne présente pas d'usure irrégulière, et le remplacer le cas échéant. Vérifier que les connexions par fiche sont propres et pas endommagées.

1. Graisser légèrement l'emmanchement de l'outil amovible.
2. Ouvrir l'étrier de verrouillage.
3. Emmancher l'outil amovible jusqu'en butée dans le porte-outil.
4. En cas d'outils avec collet de butée, mettre l'étrier de verrouillage dans la position de fermeture A.
5. En cas d'outils avec rainure, mettre l'étrier de verrouillage dans la position de fermeture B.
 - ↳ Positionner le burin de sorte que la rainure soit du côté de la position de fermeture B.
6. Vérifier que l'outil est bien serré dans le dispositif de verrouillage en tirant dessus.
 - ↳ Les outils combinés avec collet de butée et rainure peuvent être indifféremment verrouillés dans la position de fermeture A ou B.

Utiliser exclusivement de la graisse **Hilti** d'origine. L'utilisation d'une graisse non appropriée peut engendrer des dommages sur le produit.

5.1.2 Retrait de l'outil

AVERTISSEMENT

Risque de blessures L'appareil peut être très chaud du fait de son utilisation ou présenter des arêtes vives.

- ▶ Porter des gants de protection pour changer d'outil.



⚠ DANGER

Risque d'incendie Danger en cas de contact entre l'appareil chaud et des matériaux facilement inflammables.

- ▶ Ne pas poser l'appareil chaud sur des matériaux facilement inflammables.

⚠ AVERTISSEMENT

Risque de blessures Risque de blessures par des surfaces chaudes.

- ▶ Veiller à ce qu'aucune partie du corps ne touche le tube de guidage qui devient très chaud lors de l'utilisation.

1. Ouvrir l'étrier de verrouillage.
2. Tirer l'outil amovible hors du mandrin.

5.2 Câble d'alimentation réseau enfichable**⚠ ATTENTION**

Risque de blessures du fait des courants de fuite si les contacts sont encrassés.

- ▶ Le connecteur électrique débranchable doit uniquement être raccordé à l'appareil électrique, s'il est propre, sec et hors tension.

- ▶ Brancher/Débrancher le câble d'alimentation réseau enfichable.

5.2.1 Branchement du câble d'alimentation enfichable**⚠ ATTENTION**

Risque de blessures du fait des courants de fuite si les contacts sont encrassés.

- ▶ Le connecteur électrique débranchable doit uniquement être raccordé à l'appareil électrique, s'il est propre, sec et hors tension.

1. Introduire l'embout de câble à connexion rapide codé jusqu'en butée dans l'appareil, jusqu'à ce que le dispositif de blocage s'encliquette avec un clic audible.
2. Brancher la fiche dans la prise.

5.2.2 Débranchement du câble d'alimentation enfichable de l'appareil

1. Débrancher la fiche de la prise.
2. Appuyer sur la touche d'arrêt et retirer le connecteur électrique débranchable codé.
3. Tirer le câble d'alimentation hors de l'appareil.

6 Nettoyage et entretien**⚠ AVERTISSEMENT**

Risque de blessures lorsque l'accu est inséré !

- ▶ Toujours retirer l'accu avant tous travaux de nettoyage et d'entretien !

Entretien de l'appareil

- Éliminer prudemment les saletés récalcitrantes.
- Nettoyer les ouïes d'aération avec précaution au moyen d'une brosse sèche.
- Nettoyer le boîtier uniquement avec un chiffon légèrement humidifié. Ne pas utiliser de nettoyeurs à base de silicone, ceci pourrait attaquer les pièces en plastique.

Entretien des accus Li-ion

- Veiller à ce que l'accu soit toujours propre et exempt de traces de graisse et d'huile.
- Nettoyer le boîtier uniquement avec un chiffon légèrement humidifié. Ne pas utiliser de nettoyeurs à base de silicone, ceci pourrait attaquer les pièces en plastique.
- Éviter toute pénétration d'humidité.

Entretien

- Vérifier régulièrement qu'aucune pièce visible n'est endommagée et que les organes de commande sont parfaitement opérationnels.
- En cas d'endommagements et/ou de dysfonctionnements, ne pas utiliser le produit. Le faire immédiatement réparer par le S.A.V. Hilti.



- Après des travaux de nettoyage et d'entretien, vérifier si tous les équipements de protection sont bien en place et fonctionnent parfaitement.



Pour une utilisation en toute sécurité, utiliser uniquement des pièces de rechange et consommables d'origine. Vous trouverez les pièces de rechange, consommables et accessoires autorisés convenant pour votre produit dans le centre **Hilti Store** ou sous : www.hilti.group.

7 Transport et entreposage

- Ne pas transporter l'appareil électrique avec un outil monté.
- Toujours stocker l'appareil électrique avec la fiche secteur débranchée de la prise.
- Sécher l'appareil et le stocker hors de portée des enfants et des personnes non autorisées.
- Après un transport ou stockage prolongé de l'appareil électrique, toujours vérifier qu'il n'est pas endommagé avant de l'utiliser.

8 Aide au dépannage


En cas de défaillances non énumérées dans ce tableau ou auxquelles il n'est pas possible de remédier sans aide, contacter le S.A.V. **Hilti**.

8.1 Guide de dépannage

Défaillance	Causes possibles	Solution
Le burineur ne démarre pas.	Initialisation de l'électronique en cours (attendre jusqu'à 4 secondes environ après le branchement de la fiche dans la prise). Le dispositif de verrouillage anti-démarrage électronique après une coupure d'alimentation électrique est activé.	▶ Arrêter puis remettre en marche l'appareil.
	L'alimentation réseau est coupée.	▶ Brancher un autre appareil électrique et vérifier s'il fonctionne.
	Générateur en mode Veille.	▶ Charger le générateur avec un second consommateur (p. ex. lampe de chantier). Ensuite, arrêter puis remettre en marche l'appareil.
	Câble d'alimentation pas correctement enfiché dans l'appareil.	▶ Brancher le câble d'alimentation enfichable correctement sur l'appareil électrique.
L'indicateur de maintenance s'allume en rouge.	Appareil endommagé ou l'échéance du prochain entretien est atteinte.	▶ Faire réparer le produit exclusivement par le S.A.V. Hilti .
L'indicateur de maintenance clignote en rouge.	La source d'alimentation électrique a une tension trop élevée.	▶ Changer de prise. Contrôler le réseau d'alimentation.
	Protection contre la surchauffe.	▶ Laisser refroidir l'appareil. Nettoyer les ouïes d'aération. La marche à vide est encore possible.
Absence de percussion.	L'appareil est trop froid.	▶ Poser le burineur sur le support et le laisser tourner à vide. Répéter si nécessaire jusqu'à ce que le mécanisme de frappe fonctionne.
Le burineur ne se met pas en marche ou s'arrête.	Câble de rallonge trop long et / ou de section insuffisante.	▶ Utiliser des câbles de rallonge de longueur admissible et / ou de section suffisante.



9 Recyclage

 Les appareils **Hilti** sont fabriqués pour une grande partie en matériaux recyclables. Le recyclage présuppose un tri adéquat des matériaux. **Hilti** reprend les appareils usagés dans de nombreux pays en vue de leur recyclage. Consulter le service clients **Hilti** ou un conseiller commercial.



- ▶ Ne pas jeter les appareils électriques, électroniques et accus dans les ordures ménagères !
-

10 RoHS (directive relative à la limitation d'utilisation des substances dangereuses)

Le tableau des substances dangereuses est accessible au moyen du lien suivant : qr.hilti.com/r4783. Vous trouverez à la fin de cette documentation, sous forme de code QR, un lien menant au tableau RoHS.

11 Garantie constructeur

- ▶ En cas de questions sur les conditions de garantie, veuillez vous adresser à votre partenaire **Hilti** local.



1 Oplysninger vedrørende dokumentationen

1.1 Vedrørende denne dokumentation

- Læs denne dokumentation igennem før ibrugtagning. Det er en forudsætning for sikkert arbejde og korrekt håndtering.
- Følg sikkerheds- og advarselshenvisningerne i denne dokumentation og på produktet.
- Opbevar altid brugsanvisningen sammen med produktet, og overdrag det kun til andre personer sammen med denne anvisning.

1.2 Tegnforklaring

1.2.1 Advarsler

Advarsler advarer mod farer ved håndtering af produktet. Følgende signalord anvendes:



FARE

FARE !

- ▶ Betegner en umiddelbart truende fare, der kan medføre alvorlige kvæstelser eller døden.



ADVARSEL

ADVARSEL !

- ▶ Står ved en potentielt truende fare, der kan medføre alvorlige kvæstelser eller døden.



FORSIGTIG

FORSIGTIG !

- ▶ Betegner en potentielt farlig situation, der kan forårsage lettere personskader eller materielle skader.

1.2.2 Symboler i denne dokumentation

Følgende symboler anvendes i denne dokumentation:

	Læs brugsanvisningen før brug
	Anvisninger for anvendelse og andre nyttige oplysninger
	Håndtering af genvindbare materialer
	Elektriske maskiner og batterier må ikke bortskaffes som almindeligt husholdningsaffald

1.2.3 Symboler i illustrationer

Følgende symboler anvendes på illustrationer:

	Disse tal henviser til de forskellige illustrationer i begyndelsen af brugsanvisningen
3	Nummereringen udtrykker arbejdsstrinnenes rækkefølge på illustrationen og kan afvige fra arbejdsstrinnene i teksten
	Positionsnumre anvendes i illustrationen Oversigt og refererer til tallene i symbolforklaringen i afsnittet Produktoversigt
	Dette symbol skal sikre skærpet opmærksomhed ved omgang med produktet.

1.3 Symboler på produktet

1.3.1 Symboler på produktet

Følgende symboler kan anvendes på produktet:

	Kapslingsklasse II (dobbeltisoleret)
--	--------------------------------------





Må ikke transporteres med kran



Trådløs dataoverførsel

1.4 Produktoplysninger

Hilti-produkter er beregnet til professionel brug og må kun betjenes, efterses og vedligeholdes af autoriseret og instrueret personale. Dette personale skal i særdeleshed informeres om de potentielle farer, der er forbundet med brugen af denne maskine. Der kan opstå farlige situationer ved anvendelse af produktet og det tilhørende udstyr, hvis det anvendes af personer, der ikke er blevet undervist i dens brug, eller hvis det ikke anvendes korrekt i henhold til forskrifterne i denne brugsanvisning.

Typebetegnelse og serienummer fremgår af typeskiltet.

- ▶ Notér serienummeret i den efterfølgende tabel. Du skal bruge produktoplysningerne ved henvendelser til vores lokale afdeling eller vores serviceværksted.

Produktoplysninger → Side 24

Produktoplysninger

Mejselhammer	TE 3000-AVR
Generation	01
Serienummer	

1.5 Overensstemmelseserklæring

Vi erklærer som eneansvarlige, at det beskrevne produkt er i overensstemmelse med gældende direktiver og standarder. Sidst i dette dokument finder du et billede af overensstemmelseserklæringen.

Den tekniske dokumentation er arkiveret her:

Hilti Entwicklungsgesellschaft mbH | Zulassung Geräte | Hiltistraße 6 | 86916 Kaufering, DE

2 Sikkerhed

2.1 Generelle sikkerhedsanvisninger for elværktøj

⚠ ADVARSEL Læs alle sikkerhedsanvisninger og instruktioner. Hvis sikkerhedsanvisningerne og instruktionerne ikke overholdes, er der risiko for elektrisk stød, brand og/eller alvorlige personskader.

Opbevar alle sikkerhedsanvisninger og instruktioner til senere brug.

Det benyttede begreb "elværktøj" i sikkerhedsanvisningerne refererer til elektriske maskiner (med netledning) og batteridrevne maskiner (uden netledning).

Arbejdspladssikkerhed

- ▶ **Sørg for at holde arbejdsområdet ryddeligt og godt oplyst.** Uorden eller uoplyste arbejdsområder øger faren for uheld.
- ▶ **Brug ikke elværktøj i eksplosionstruede omgivelser, hvor der er brændbare væsker, gasser eller støv.** Elværktøj kan slå gnister, der kan antænde støv eller dampe.
- ▶ **Sørg for, at andre personer og ikke mindst børn holdes væk fra arbejdsområdet, når elværktøjet er i brug.** Hvis man distraheres, kan man miste kontrollen over maskinen.

Elektrisk sikkerhed

- ▶ **Elværktøjets stik skal passe til kontakten. Stikket må under ingen omstændigheder ændres. Brug ikke adapterstik sammen med jordforbundne elværktøj.** Uændrede stik, der passer til kontakterne, nedsætter risikoen for elektrisk stød.
- ▶ **Undgå kropskontakt med jordforbundne overflader som f.eks. rør, radiatorer, komfurer og køleskabe.** Hvis din krop er jordforbundet, øges risikoen for elektrisk stød.
- ▶ **Elværktøj må ikke udsættes for regn eller fugt.** Indtrængning af vand i elværktøj øger risikoen for elektrisk stød.
- ▶ **Brug ikke ledningen til formål, den ikke er beregnet til (f.eks. må man aldrig bære elværktøjet i ledningen, hænge det op i ledningen eller rykke i ledningen for at trække stikket ud af kontakten). Beskyt ledningen mod varme, olie, skarpe kanter eller maskindele, der er i bevægelse.** Beskadigede eller sammenviklede ledninger øger risikoen for elektrisk stød.
- ▶ **Hvis elværktøjet benyttes i det fri, må der kun benyttes en forlængerledning, der er egnet til udendørs brug.** Brug af forlængerledning til udendørs brug nedsætter risikoen for elektrisk stød.



- ▶ Hvis det ikke kan undgås at anvende elværktøjet i fugtige omgivelser, skal du anvende et fejlstrømsrelæ. Anvendelsen af et fejlstrømsrelæ nedsætter risikoen for et elektrisk stød.

Personlig sikkerhed

- ▶ **Det er vigtigt at være opmærksom, se, hvad man laver, og bruge maskinen fornuftigt. Anvend aldrig elværktøj, hvis du er træt eller påvirket af stoffer, alkohol eller medicin.** Et øjeblikks uopmærksomhed under brugen af elværktøjet kan medføre alvorlige personskader.
- ▶ **Brug beskyttelsesudstyr, og hav altid beskyttelsesbriller på.** Brug af sikkerhedsudstyr som f.eks. støvmaske, skridsikkert fodtøj, beskyttelseshjelm eller høreværn afhængigt af elværktøjets type og anvendelse nedsætter risikoen for personskader.
- ▶ **Undgå utilsigtet igangsætning. Kontrollér, at elværktøjet er frakoblet, før du slutter det til strømforsyningen og/eller batteriet, tager det op eller transporterer det.** Undgå at bære elværktøjet med fingeren på afbryderen, og sørg for, at det ikke er tændt, når det slutes til nettet, da dette øger risikoen for personskader.
- ▶ **Fjern indstillingsværktøj eller skruenøgler, inden elværktøjet tændes.** Hvis et stykke værktøj eller en nøgle sidder i en roterende maskindel, er der risiko for personskader.
- ▶ **Undgå at arbejde i unormale kropstillinger. Sørg for at stå sikkert, mens der arbejdes, og kom ikke ud af balance.** Det er derved nemmere at kontrollere elværktøjet, hvis der skulle opstå uventede situationer.
- ▶ **Brug egnet arbejdstøj. Undgå løse beklædningsgenstande eller smykker. Hold hår, tøj og handsker væk fra dele, der bevæger sig.** Dele, der er i bevægelse, kan gribe fat i løstsiddende tøj, smykker eller langt hår.
- ▶ **Hvis støvudsugnings- og opsamlingsudstyr kan monteres, er det vigtigt, at dette tilsluttes og benyttes korrekt.** Ved at anvende en støvudsugning er det muligt at nedsætte risiciene som følge af støv.

Anvendelse og pleje af elværktøjet

- ▶ **Undgå at overbelaste maskinen. Brug altid en maskine, der er beregnet til det stykke arbejde, der skal udføres.** Med det rigtige værktøj arbejder man bedst og mest sikkert inden for det angivne effektområde.
- ▶ **Brug ikke elværktøj, hvis afbryderen er defekt.** En maskine, der ikke kan startes og stoppes, er farlig og skal repareres.
- ▶ **Træk stikket ud af stikkontakten, og/eller fjern batteriet fra maskinen, inden du foretager indstillinger på den, skifter tilbehørsdele eller lægger den til side.** Disse sikkerhedsforanstaltninger forhindrer utilsigtet start af elværktøjet.
- ▶ **Opbevar ubenyttede elværktøjer uden for børns rækkevidde. Lad aldrig personer, der ikke er fortrolige med elværktøjet eller ikke har gennemlæst sikkerhedsanvisningerne benytte dette.** Elværktøj er farligt, hvis det benyttes af ukyndige personer.
- ▶ **Sørg for at pleje elværktøj omhyggeligt. Kontrollér, om bevægelige dele fungerer korrekt og ikke sidder fast, og om delene er brækket eller beskadiget, således at elværktøjets funktion påvirkes. Få beskadigede dele repareret, inden elværktøjet tages i brug.** Mange uheld skyldes dårligt vedligeholdte elværktøjer.
- ▶ **Sørg for, at skæreværktøjer er skarpe og rene.** Omhyggeligt vedligeholdte skæreværktøjer med skarpe skærekanter sætter sig ikke så hurtigt fast og er nemmere at føre.
- ▶ **Anvend elværktøj, tilbehør, indsatsværktøj osv. i overensstemmelse med disse anvisninger. Tag hensyn til arbejdsforholdene og det arbejde, der skal udføres.** I tilfælde af anvendelse af maskinen til formål, som ligger uden for det fastsatte anvendelsesområde, kan der opstå farlige situationer.

Service

- ▶ **Sørg for, at elværktøjet kun repareres af kvalificerede fagfolk, og at der altid benyttes originale reservedele.** Dermed sikres størst mulig elværktøjssikkerhed.

2.2 Sikkerhedsanvisninger til hamre

- ▶ **Brug høreværn.** Støjpåvirkningen kan medføre høretab.
- ▶ **Brug de ekstrahåndgreb, som følger med maskinen.** Hvis du mister kontrollen, kan det medføre personskader.
- ▶ **Hold kun maskinen i de isolerede håndtag, når du udfører arbejder, hvor indsatsværktøjet kan ramme skjulte elledninger eller maskinens netkabel.** Ved kontakt med en spændingsførende ledning kan også metalliske værktøjsdele sættes under spænding, hvilket kan medføre elektrisk stød.



2.3 Yderligere sikkerhedsanvisninger

Personlig sikkerhed

- ▶ Anvend kun maskinen i teknisk fejfri tilstand.
- ▶ Foretag aldrig manipulationer eller ændringer på maskinen.
- ▶ Ved gennembrydningsarbejde skal du huske at sikre området på den modsatte side. Nedbrydningsdele kan falde ud og/eller ned og volde skade på andre personer.
- ▶ Kontrollér, at sidegrebet er monteret rigtigt og fastgjort korrekt. Hold altid maskinen med begge hænder på de dertil beregnede håndtag. Hold håndtagene tørre, rene og fri for olie og fedt.
- ▶ Hold pauser under arbejdet, og lav øvelser, så dine fingre får en bedre blodgennemstrømning. Ved længerevarende arbejde kan vibrationer medføre forstyrrelser af fingrenes, hændernes eller håndleddenes blodkar og nervesystem.
- ▶ Maskinen er ikke beregnet til svagelige personer uden instruktion.
- ▶ Maskinen skal opbevares uden for små børns rækkevidde.
- ▶ Find ud af, hvilken fareklasse det støv, der opstår ved arbejdet, har, inden du går i gang med arbejdet. Anvend en industristøvsuger med en officielt tilladt beskyttelsesklassificering, som opfylder de lokale støvbeskyttelsesbestemmelser.
- ▶ Anvend så vidt muligt støvudsugning og en egnet mobil støvsuger. Støv fra materialer såsom blyholdig maling, visse træsorter, beton / murværk / natursten, som indeholder kvarts, og mineraler samt metal kan være sundhedsfarlige.
- ▶ Sørg for en god ventilation af arbejdspladsen, og brug om nødvendigt et åndedrætsværn, som egner sig til den pågældende støvtype. Berøring eller indånding af støv kan medføre allergiske reaktioner og/eller luftvejssygdomme hos brugeren eller personer, der opholder sig i nærheden. Bestemte støvtyper, f.eks. støv fra ege- og bøgetræ, er kræftfremkaldende, især i forbindelse med tilsætningsstoffer til træbehandling (kromat, træbeskyttelsesmidler). Asbestholdige materialer må kun håndteres af fagfolk.

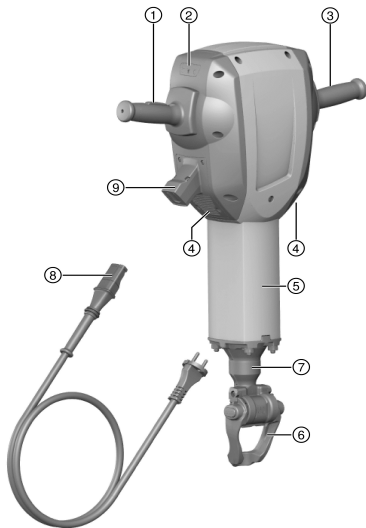
Elektrisk sikkerhed

- ▶ Kontrollér før påbegyndelse af arbejdet arbejdsområdet for skjulte elektriske ledninger, gas- og vandrør, f.eks. med en metaldetektor. Udvendige metaldele på maskinen kan medføre elektrisk stød, hvis du ved en fejl kommer til at beskadige en elledning.
- ▶ Kontrollér maskinens tilslutningsledning regelmæssigt, og få den udskiftet, hvis den er beskadiget. Hvis tilslutningskablet til det elektriske værktøj er ødelagt, skal det udskiftes med en særlig og godkendt tilslutningsledning, der fås i kundeserviceafdelingen. Kontrollér jævnligt forlængerledningerne, og udskift dem, hvis de er beskadigede. Hvis el- eller forlængerledningen bliver beskadiget under arbejdet, må du ikke røre ved ledningen. Træk stikket ud af stikkontakten. Beskadigede netledninger og forlængerledninger medfører fare for at få elektrisk stød.
- ▶ Få med regelmæssige mellemrum **Hilti**-service til at kontrollere tilsmudsede maskiner ved hyppig bearbejdning af ledende materialer. Hvis der sidder støv, først og fremmest fra ledende materialer, på maskinens overflade, eller den er fugtig, er der under uheldige omstændigheder risiko for at få elektrisk stød.
- ▶ Sluk maskinen ved strømafrydelser, og træk netstikket ud. Dette forhindrer utilsigtet ibrugtagning af maskinen, når strømmen vender tilbage.



3 Beskrivelse

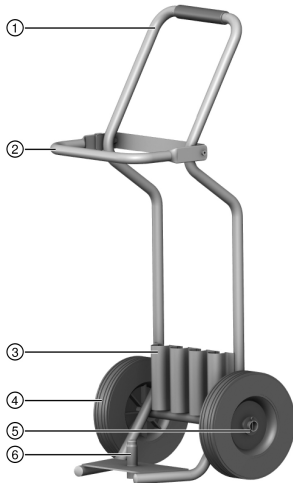
3.1 Produktoversigt



- ① Tænd/sluk-knap
- ② Serviceindikator
- ③ Håndtag
- ④ Ventilationsåbninger
- ⑤ Føringsrør
- ⑥ Værktøjslås/låsebøjle
- ⑦ Værktøjsholder
- ⑧ Netkabel med kodet, aftagelig stikforbindelse
- ⑨ Tilslutning på den elektriske maskine



3.2 Transportvognskomponenter 2



- ① Håndtag
- ② Låsebøjle
- ③ Holder til forbrugsmateriale (mejsel)
- ④ Hjul
- ⑤ Hjulsikring (skive, split)
- ⑥ Holdedorn

3.3 Bestemmelsesmæssig anvendelse

Det beskrevne produkt er en håndført mejselhammer med 28 mm sekskantet værktøjholder. Den er beregnet til mejselopgaver i beton, murværk og asfalt. Andre anvendelsesmuligheder er stampning og gravning.

- ▶ Maskinen må kun sluttes til den netspænding og -frekvens, som er angivet på typeskiltet.

3.4 Potentiel forkert brug

Dette produkt egner sig ikke til bearbejdning af sundhedsskadelige materialer.

Dette produkt egner sig ikke til arbejde i fugtige miljøer.

3.5 Serviceindikator

Mejselhammeren er udstyret med en serviceindikator med lysignal.

Tilstand	Betydning
Serviceindikatoren lyser rødt.	Tidspunktet for service er nået. Skade på maskinen.
Serviceindikatoren blinker rødt.	Overophedningsbeskyttelse Strømforsyningen har for høj spænding.

Indlever dit produktet hos **Hilti Service** i god tid. På den måde er det altid klar til brug.

3.6 Active Vibration Reduction (AVR)

Mejselhammeren er forsynet med Active Vibration Reduction (AVR); et system, som reducerer vibrationsniveauet markant.



3.7 Leveringsomfang

Mejselhammer, brugsanvisning, fedt.
Transportvognen fås som ekstratilbehør.

Andre systemprodukter, som er godkendt til dit produkt, finder du i dit **Hilti Center** eller online på adressen **www.hilti.group**

4 Tekniske data

Nominel spænding, nominel strøm, frekvens og / eller nominelt strømforbrug fremgår af det landesspecifikke typeskilt.

Ved drift på en generator eller transformator skal dennes udgangseffekt være mindst dobbelt så høj som det nominelle strømforbrug, der fremgår af maskinens typeskilt. Transformatorens eller generatorens driftsspænding skal til enhver tid ligge inden for +5 % og -15 % af maskinens nominelle spænding.

	TE 3000-AVR
Vægt i henhold til EPTA-procedure 01	29,9 kg
Enkeltslagsenergi i henhold til EPTA-procedure	68 J
Opbevaringstemperatur	-20 °C ... 70 °C
Omgivende temperatur under drift	-17 °C ... 60 °C

4.1 Støjinformation og vibrationsværdier iht. EN 62841

Lydtryk- og vibrationsværdier i denne brugsanvisning er målt i henhold til en standardiseret målemetode og kan anvendes til sammenligning af forskellige elværktøjer. De kan også anvendes til en foreløbig vurdering af den eksponering, brugeren udsættes for.

De anførte data repræsenterer elværktøjets primære anvendelsesformål. Hvis elværktøjet imidlertid anvendes til andre formål, med andre indsatsværktøjer eller utilstrækkelig vedligeholdelse, kan dataene afvige. Dette kan forøge den eksponering, som brugeren udsættes for, i hele arbejdstiden markant.

For at opnå en præcis vurdering af den eksponering, som brugeren udsættes for, bør også den tid, hvor maskinen er slukket eller blot kører uden at blive anvendt, inddrages. Dette kan reducere den eksponering, som brugeren udsættes for, i hele arbejdstiden markant.

Fastlæg yderligere sikkerhedsforanstaltninger til beskyttelse af brugeren mod støj- og/eller vibrationspåvirkninger, f.eks. er det vigtigt at vedligeholde elværktøj og indsatsværktøj, at holde hænderne varme og at organisere arbejdsprocesserne.

Støjinformation

Lydeffektniveau (L_{WA})	105 dB(A)
Usikkerhed, lydeffektniveau (K_{WA})	3 dB(A)
Lydtrykniveau (L_{pA})	94 dB(A)
Usikkerhed, lydtrykniveau (K_{pA})	3 dB(A)

Vibrationsinformation

Mejsling ($a_{h, Cheq}$)	7 m/s ²
Usikkerhed (K)	1,5 m/s ²

4.2 Anvendelse af forlængerledning

ADVARSEL

Fare på grund af beskadigede ledninger! Hvis el- eller forlængerledningen bliver beskadiget under arbejdet, må du ikke røre ved ledningen. Træk stikket ud.

► Kontrollér maskinens tilslutningsledning regelmæssigt, og få den udskiftet, hvis den er beskadiget.

- Brug kun forlængerledninger med tilstrækkeligt ledningstværsnit, der er godkendt til det pågældende anvendelsesområde. I modsat fald kan der forekomme effekttab på maskinen og overophedning af ledningen.



- Kontrollér regelmæssigt forlængerledningen for beskadigelser.
- Udskift beskadigede forlængerledninger.
- Til udendørs brug må der kun anvendes forlængerledninger, som tydeligt er markeret og godkendt til udendørs brug.

Anbefalede minimale tværsnit og maksimale ledningslængder ved 120 V netspænding

Kabel	AWG 16	AWG 14	AWG 12	AWG 10
Ledertværsnit	1,31 mm ²	2,08 mm ²	3,31 mm ²	5,26 mm ²
Ledertværsnit	2,58 kcmil	4,11 kcmil	6,53 kcmil	10,4 kcmil
Kabellængde	25 m	30 m	50 m	100 m
Kabellængde	75 ft	100 ft	150 ft	250 ft

5 Betjening

5.1 Forberedelse af arbejdet


FORSIGTIG

Fare for personskader! Utsigtslet start af produktet.


- ▶ Træk stikket ud af stikkontakten, inden du foretager indstillinger eller skifter tilbehørsdele.

Følg sikkerheds- og advarselshenvisningerne i denne dokumentation og på produktet.

5.1.1 Isætning af indsatsværktøj

 Kontrollér værktøjet for skader og ujævn slitage før hver ibrugtagning, og udskift det om nødvendigt. Kontrollér, at låsebøjlen er ren og uden skader.

1. Smør indsatsværktøjets indstiksende med et tyndt lag fedt.
2. Løsn låsebøjlen.
3. Stik indsatsværktøjet ind i holderen indtil anslag.
4. Ved værktøjer med krave skal låsebøjlen anbringes i låseposition A.
5. Ved værktøjer med not skal låsebøjlen anbringes i låseposition B.
 - ↳ Placer mejslen, så noten vender hen imod låseposition B.
6. Kontrollér, at værktøjet sidder sikkert fast ved at trække i det.
 - ↳ Kombinerede værktøjer med krave og not kan låses enten i låseposition A eller B.

 Anvend kun originalt fedt fra **Hilti**. Hvis der anvendes en fedttype, som ikke egner sig, kan det medføre skader på produktet.

5.1.2 Udtagning af værktøj

ADVARSEL

Fare for personskader Værktøjet bliver varmt under brug og kan have skarpe kanter.

- ▶ Brug beskyttelseshandsker, når du skifter værktøj.

FARE

Brandfare Fare ved kontakt mellem det varme værktøj og let antændelige materialer.

- ▶ Læg ikke det varme værktøj på let antændelige materialer.

ADVARSEL

Fare for personskader Fare for forbrændinger på grund af meget varme overflader.

- ▶ Undgå at berøre føringsrøret, da dette bliver meget varmt under brugen.

1. Løsn låsebøjlen.
2. Træk indsatsværktøjet ud af værktøjsholderen.



5.2 Aftageligt netkabel

FORSIGTIG

Fare for personskader på grund af krybestrøm ved tilsmudsede kontakter.

► Slut kun den aftagelige elstikforbindelse til den elektriske maskine i ren, tør og spændingsfri tilstand.

► Tilslut/frigør det aftagelige netkabel.

5.2.1 Tilslutning af aftageligt netkabel

FORSIGTIG

Fare for personskader på grund af krybestrøm ved tilsmudsede kontakter.

► Slut kun den aftagelige elstikforbindelse til den elektriske maskine i ren, tør og spændingsfri tilstand.

1. Sæt den kodede, aftagelige elektriske stikforbindelse helt ind i maskinen, indtil låsemekanismen går hørbart i indgreb.
2. Sæt stikket i stikkontakten.

5.2.2 Adskillelse af det aftagelige netkabel fra den elektriske maskine

1. Træk stikket ud af stikkontakten.
2. Tryk på låseknappen, og træk den kodede, aftagelige elektriske stikforbindelse ud.
3. Træk netkablet ud af maskinen.

6 Rengøring og vedligeholdelse

ADVARSEL

Fare for personskader ved isat batteri !

► Fjern altid batteriet før alle pleje- og vedligeholdelsesarbejder!

Pleje af produktet

- Fjern forsigtigt fastsiddende snavs.
- Rengør forsigtigt ventilationsåbningerne med en tør børste.
- Rengør kun kabinettet med en let fugtet klud. Undlad at anvende silikoneholdige plejemidler, da de kan angribe plastdelene.

Pleje af lithium-ion-batterier

- Sørg for at holde batteriet tørt og fri for olie og fedt.
- Rengør kun kabinettet med en let fugtet klud. Undlad at anvende silikoneholdige plejemidler, da de kan angribe plastdelene.
- Undgå indtrængen af fugt.

Vedligeholdelse

- Kontrollér regelmæssigt alle synlige dele for skader, og at betjeningselementerne fungerer fejlfrit.
- Anvend ikke produktet i tilfælde af beskadigelse og/eller funktionsfejl. Få omgående udført reparation hos **Hilti Service**.
- Monter alle beskyttelsesanordninger efter pleje- og vedligeholdelsesarbejder, og kontrollér dem for funktion.



Anvend kun originale reservedele og forbrugsmaterialer af hensyn til en sikker drift. Reservedele, forbrugsmaterialer og tilbehør til dit produkt, som vi har godkendt, finder du i dit **Hilti Store Center** eller under: **www.hilti.group**.

7 Transport og opbevaring

- Transportér ikke elværktøj med isat værktøj.
- Opbevar altid elværktøj med netstikket trukket ud.
- Opbevar maskinen tørt og utilgængeligt for børn og uvedkommende personer.
- Efter længerevarende transport eller opbevaring skal elværktøjet kontrolleres for skader før ibrugtagning.



8 Fejlafhjælpning

Ved fejl, som ikke fremgår af denne tabel, eller som du ikke selv kan afhjælpe, beder vi dig om at kontakte **Hilti Service**.

8.1 Fejlsøgning

Fejl	Mulig årsag	Løsning
Mejselhammeren starter ikke.	Elektronikken initialiseres (op til ca. 4 sekunder fra isætning af stikket). Den elektroniske startspærre efter en strømafbrydelse er aktiveret.	▶ Sluk maskinen, og tænd den igen.
	Elforsyningen er afbrudt.	▶ Tilslut en anden elektrisk maskine, og kontrollér dennes funktion.
	Generatoren er i Sleep Mode.	▶ Belast generatoren med endnu en forbruger (f.eks. en arbejds-lampe). Sluk derefter maskinen, og tænd den igen.
	Aftageligt netkabel ikke isat korrekt.	▶ Tilslut det aftagelige netkabel korrekt på den elektriske maskine.
Serviceindikatoren lyser rødt.	Maskinen er beskadiget, eller tidspunktet for service er nået.	▶ Produktet må kun repareres af Hilti Service .
Serviceindikatoren blinker rødt.	Strømforsyningen har for høj spænding.	▶ Udskift stikdåsen. Kontrollér nettet.
	Overophedningsbeskyttelse.	▶ Lad værktøjet køle af. Rengør ventilationsåbningerne. Drift er fortsat mulig i tomgang.
Ingen slagfunktion.	Maskine for kold.	▶ Sæt mejselhammeren på underlaget, og lad den køre i tomgang. Gentag om nødvendigt proceduren, indtil slagmekanismen arbejder.
Mejselhammeren vil ikke starte eller slår fra under drift.	Forlængerledning for lang og / eller med for lille tværsnit.	▶ Anvend en forlængerledning med godkendt længde og / eller med tilstrækkeligt tværsnit.

9 Bortskaffelse

Størstedelen af de materialer, som anvendes ved fremstillingen af **Hilti**-produkter, kan genvindes. Materialerne skal sorteres, før de kan genvindes. I mange lande modtager **Hilti** dine udtjente maskiner med henblik på genvinding. Spørg **Hilti** kundeservice eller din forhandler.



- ▶ Elværktøj, elektriske maskiner og batterier må ikke bortskaffes sammen med almindeligt husholdningsaffald!

10 RoHS (direktiv til begrænsning af anvendelsen af farlige stoffer)

Under følgende link finder du tabellen med farlige stoffer: qr.hilti.com/r4783.

Et link til RoHS-tabellen finder du i slutningen af denne dokumentation som QR-kode.

11 Producentgaranti

- ▶ Hvis du har spørgsmål vedrørende garantibetingelserne, bedes du henvende dig til din lokale **Hilti**-partner.



1 Uppgifter för dokumentation

1.1 Om denna dokumentation

- Läs denna dokumentation innan du börjar ta enheten i drift. Det är en förutsättning för säkert arbete och problemfri hantering.
- Observera de säkerhets- och varningsanvisningar som du hittar i dokumentationen och på själva enheten.
- Förvara alltid bruksanvisningen tillsammans med produkten och överlämna aldrig produkten till någon annan utan att bifoga den.

1.2 Teckenförklaring

1.2.1 Varningar

Varningarna är till för att varna för risker i samband med användning av produkten. Följande riskindikeringar används:



FARA

FARA !

- ▶ Anger överhängande risker som kan leda till svåra personskador eller dödsolycka.



VARNING

VARNING !

- ▶ Anger potentiella risker som kan leda till svåra personskador eller dödsfall.



FÖRSIKTIGHET

FÖRSIKTIGHET !

- ▶ Används för att fästa uppmärksamhet på en potentiell risksituation som kan leda till skador på person eller utrustning.

1.2.2 Symboler i dokumentationen

I den här dokumentationen används följande symboler:

	Läs bruksanvisningen före användning
	Anmärkningar och annan praktisk information
	Hantering av återvinningsbara material
	Elverktyg och batterier får inte kastas i hushållssoporna

1.2.3 Symboler i bilderna

Följande symboler används i bilder:

	Dessa siffror hänvisar till motsvarande bild i början av bruksanvisningen
3	Numreringen återger ordningsföljden hos arbetsmomenten på bilden och kan skilja sig från arbetsmomenten i texten
	På bilden Översikt används positionsnummer som hänvisar till siffrorna i teckenförklaringen i avsnittet Produktöversikt
	Det här tecknet är till för att du ska vara extra uppmärksam på något som gäller hur du hanterar produkten.

1.3 Symboler på produkten

1.3.1 Symboler på produkten

Följande symboler kan användas på produkten:

	Isolationsklass II (dubbelisolerad)
--	-------------------------------------





Använd inte lyftkran för transport



Trådlös dataöverföring

1.4 Produktinformation

Hilti-produkter är avsedda för den yrkesmässiga användaren och får endast användas, underhållas och sättas igång av auktoriserad, utbildad personal. Personalen måste vara särskilt informerad om de risker som finns. Produkten och dess tillbehör kan utgöra en risk om den används på ett felaktigt sätt av utbildad personal eller inte används enligt föreskrifterna.

Typbeteckning och serienummer anges på typskylten.

- ▶ Använd de serienummer som anges i följande tabell. Du behöver produktuppgifterna när du kontaktar vår återförsäljare eller serviceverkstad.

Produktdetaljer → Sidan 34

Produktdetaljer

Mejselhammare	TE 3000-AVR
Generation	01
Serienr	

1.5 Försäkran om överensstämmelse

Vi försäkras på eget ansvar att den produkt som beskrivs här överensstämmer med gällande direktiv och standarder. En bild på försäkran om överensstämmelse hittar du i slutet av dokumentationen.

Den tekniska dokumentationen finns sparad här:

Hilti Entwicklungsgesellschaft mbH | Zulassung Geräte | Hiltistraße 6 | 86916 Kaufering, Tyskland

2 Säkerhet

2.1 Allmänna säkerhetsföreskrifter för elverktyg

⚠ VARNING Läs alla säkerhetsföreskrifter och anvisningar. Om säkerhetsföreskrifterna och anvisningarna inte följs finns risk för elektriska stötar, brand och/eller svåra skador.

Förvara alla säkerhetsföreskrifter och anvisningarna på ett säkert ställe för framtida användning.

Begreppet "elverktyg" som används i säkerhetsföreskrifterna avser nätdrivna elverktyg (med nätkabel) och batteridrivna elverktyg (sladdlösa).

Säker arbetsmiljö

- ▶ **Håll arbetsområdet rent och väl belyst.** Oordning eller bristfällig belysning på arbetsplatsen kan leda till olyckor.
- ▶ **Arbeta inte med elverktyget i omgivningarna med explosionsrisk där det finns brännbara vätskor, gaser eller damm.** Elverktyg alstrar gnistor som kan antända dammet eller gaserna.
- ▶ **Håll barn och obehöriga personer på betryggande avstånd under arbetet med elverktyget.** Om du störs av obehöriga personer kan du förlora kontrollen över verktyget.

Elektrisk säkerhet

- ▶ **Elverktygets elkontakt måste passa till vägguttaget. Elkontakten får absolut inte ändras. Använd inte adapterkontakter tillsammans med skyddsjordade elverktyg.** Originalkontakter och lämpliga vägguttag minskar risken för elstötar.
- ▶ **Undvik kroppskontakt med jordade ytor som rör, värmeelement, spisar och kylskåp.** Det finns en större risk för elstötar om din kropp är jordad.
- ▶ **Skydda elverktyget från regn och väta.** Tränger vatten in i ett elverktyg ökar risken för elstötar.
- ▶ **Använd inte kabeln på ett felaktigt sätt, t.ex. genom att bära eller hänga upp elverktyget i den eller dra i den för att lossa elkontakten ur vägguttaget. Håll nätkabeln på avstånd från värmekällor, olja, skarpa kanter och rörliga delar.** Skadade eller tilltrasslade kablar ökar risken för elstötar.
- ▶ **När du arbetar med ett elverktyg utomhus, använd endast en förlängningskabel som är avsedd för utomhusbruk.** Genom att använda en lämplig förlängningskabel för utomhusbruk minskar du risken för elstötar.
- ▶ **Om det är alldeles nödvändigt att använda verktyget i fuktig miljö ska du använda en jordfelsbrytare.** Användning av jordfelsbrytare minskar risken för elstötar.



Personsäkerhet

- ▶ **Var uppmärksam, ha uppsikt över vad du gör och använd elverktuget med förnuft. Använd aldrig elverktyg om du är trött eller påverkad av droger, alkohol eller medicin.** En kort sekund av bristande uppmärksamhet när du arbetar med ett elverktyg kan leda till att du skadar dig själv eller någon annan svårt.
- ▶ **Bär alltid personlig skyddsutrustning och skyddsglasögon.** Genom att använda personlig skyddsutrustning som t.ex. dammskyddsmask, halkfria säkerhetsskor, hjälm eller hörselskydd, beroende på vilket elverktyg du använder och till vad, minskar du risken för kroppsskada.
- ▶ **Undvik oavsiktlig igångsättning. Se till att elverktuget är fränkopplat innan du ansluter det till nätströmmen och/eller batteriet, tar upp det eller bär det.** Om du bär elverktuget med fingret på strömbrytaren eller ansluter ett tillkopplat verktyg till nätströmmen kan en olycka inträffa.
- ▶ **Ta bort alla inställningsverktyg och skruvnycklar innan du kopplar in elverktuget.** Ett verktyg eller en nyckel i en roterande komponent kan leda till skador.
- ▶ **Undvik en onormal kroppshållning. Se till att du står stadigt och håller balansen.** Då kan du lättare kontrollera elverktuget i oväntade situationer.
- ▶ **Bär lämpliga kläder. Bär inte löst hängande kläder eller smycken. Håll håret, kläderna och handskarna på avstånd från rörliga delar.** Löst hängande kläder, smycken och långt hår kan dras in av roterande delar.
- ▶ **När du använder elverktyg med anordningar för uppsugning och uppsamling av damm, bör du kontrollera att dessa anordningar är rätt monterade och används korrekt.** Används en dammsugare kan faror som orsakas av damm minskas.

Användning och hantering av elverktyg

- ▶ **Överbelasta inte verktyget. Använd elverktyg som är avsedda för det aktuella arbetet.** Med ett lämpligt elverktyg kan du arbeta bättre och säkrare inom angivet effektområde.
- ▶ **Använd aldrig elverktuget om strömbrytaren är defekt.** Ett elverktyg som inte kan kopplas in eller ur är farligt och måste repareras.
- ▶ **Dra ut elkontakten ur uttaget och/eller ta ut batteriet innan du gör inställningar, byter tillbehör eller lägger ifrån dig verktyget.** Denna skyddsåtgärd förhindrar att du eller någon annan råkar sätta igång elverktuget av misstag.
- ▶ **Förvara elverktyg oåtkomligt för barn. Verktyget får inte användas av personer som inte är vana eller inte har läst dessa anvisningar.** Elverktyg är farliga om de används av oerfarna personer.
- ▶ **Underhåll elverktygen noggrant. Kontrollera att rörliga komponenter fungerar felfritt och inte kärvar och att komponenter inte har brustit eller skadats så att elverktugets funktion påverkas negativt. Se till att skadade delar repareras innan verktyget används igen.** Många olyckor orsakas av dåligt skötta elverktyg.
- ▶ **Håll insatsverktygen skarpa och rena.** Omsorgsfullt skötta insatsverktyg med skarpa egg kommer inte så lätt i kläm och går lättare att styra.
- ▶ **Använd elverktyg, tillbehör, insatsverktyg osv. enligt dessa anvisningar. Ta hänsyn till arbetsvillkoren och arbetsmomenten.** Används elverktuget på icke ändamålsenligt sätt kan farliga situationer uppstå.

Service

- ▶ **Låt endast kvalificerad fackpersonal reparera elverktuget och använd då endast originalreservdelar.** Detta garanterar att elverktugets säkerhet upprätthålls.

2.2 Säkerhetsföreskrifter för hammare

- ▶ **Bär hörselskydd.** Buller kan leda till hörselskador.
- ▶ **Använd de extrahandtag som levereras tillsammans med verktyget.** Tappar du kontrollen över verktyget kan det leda till skador.
- ▶ **Håll i verktygets isolerade greppytor vid arbeten där du riskerar att träffa dolda elkablar eller den egna nätkabeln.** Vid kontakt med en spänningssatt ledning kan metalldelar på verktyget spänningssättas och ge dig en stöt.

2.3 Extra säkerhetsföreskrifter

Personsäkerhet

- ▶ Använd verktyget bara om det är fullt funktionsdugligt.
- ▶ Manipulera eller ändra aldrig något på verktyget.
- ▶ Vid genombrottsarbeten, tänk på att säkra området på motstående sida. Annars finns det risk för att det material som lossnar ramlar ner eller skjuter iväg och skadar människor i närheten.



- ▶ Kontrollera att sidohandtaget är korrekt monterat och ordentligt fastsatt. Håll alltid verktyget i handtagen med båda händerna. Se till att handtaget är torrt, rent och fritt från olja och fett.
- ▶ Gör pauser i arbetet och utför fingerövningar som ökar blodgenomströmningen i fingrarna. Vid långvarigt, ihållande arbete kan vibrationerna ge besvär i blodkärl och nerver i fingrarna, händerna och handlederna.
- ▶ Verktyget är inte avsett att användas av personer som saknar förmåga eller nödvändig kunskap.
- ▶ Använd inte verktyget när barn finns i närheten.
- ▶ Ta bort de dammpartiklar som har uppstått innan arbetet i riskklassen startas. Använd en byggdammsugare med en standardskyddsklassificering som motsvarar de lokala dammskyddsbestämmelserna.
- ▶ Använd om möjligt dammsugning med en lämplig dammsugare. Damm från material med blyhaltig färg, vissa träslag, betong, tegel, sten som innehåller kvarts, mineraler och metall kan vara hälsovådliga.
- ▶ Se till att arbetsplatsen har god ventilation, och använd vid behov en andningsmask som är avsedd för damm av det aktuella slaget. Beröring eller inandning av damm kan orsaka allergiska reaktioner och/eller sjukdomar i andningsvägarna hos användaren eller hos personer som befinner sig i närheten. Vissa slags damm, till exempel från ek eller bok, anses vara cancerframkallande, särskilt i kombination med tillsatser för behandling av trä (kromat, träskyddsmedel). Asbesthaltigt material får bara hanteras av särskilt utbildad personal.

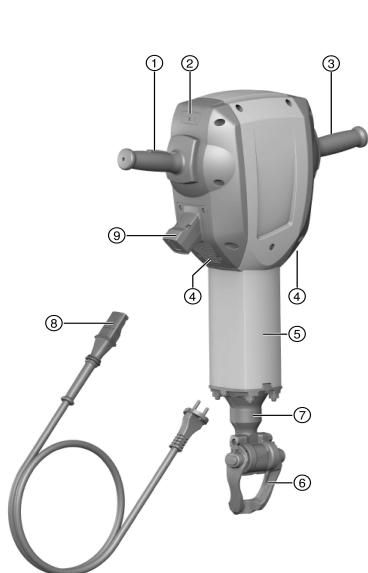
Elektrisk säkerhet

- ▶ Undersök om det finns dolda el-, gas- och vattenledningar inom arbetsområdet innan du påbörjar arbetet. Utanpåliggande metalldelar på verktyget kan orsaka elstötar om du oavsiktligt råkar skada en elledning.
- ▶ Kontrollera verktygets anslutningskabel regelbundet och låt en behörig fackman byta ut den om den är skadad. Om elverktygets anslutningskabel är skadad måste den bytas ut mot en för ändamålet avsedd och godkänd anslutningskabel som kan beställas via kundtjänst. Kontrollera förlängningskablarna regelbundet och byt ut dem om de är skadade. Rör inte vid nät- eller förlängningskabeln om den skadas under arbetet. Dra ut elkontakten ur uttaget. Skadade kablar och förlängningskablar utgör en risk för elstötar.
- ▶ Låt **Hilti**-service regelbundet kontrollera verktyg som har blivit smutsiga vid upprepad bearbetning av ledande material. Om verktyget är täckt med damm av material med ledande förmåga eller om det är fuktigt kan du riskera att få en elektrisk stöt.
- ▶ Stäng av verktyget/instrumentet och dra ut elkontakten vid strömavbrott. Detta förhindrar att verktyget kopplas på av misstag när strömmen kommer tillbaka.



3 Beskrivning

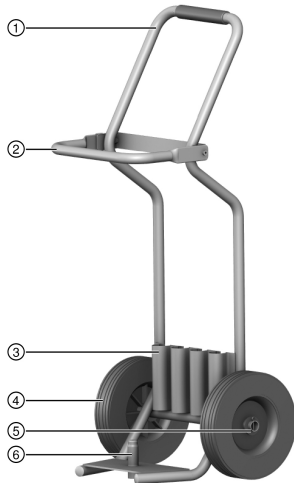
3.1 Produktöversikt



- ① Strömbrytare
- ② Serviceindikator
- ③ Grepp
- ④ Ventilationsspringor
- ⑤ Styrrör
- ⑥ Chuckhylsa/låsbygel
- ⑦ Chuck
- ⑧ Nätkabel med kodad, avtagbar kontakt
- ⑨ Anslutning på elverktyg



3.2 Transportvagnskomponenter 2



- ① Grepp
- ② Positionslås
- ③ Hållare för förbrukningsmaterial (mejsel)
- ④ Hjul
- ⑤ Hjulspärr (skiva, sprint)
- ⑥ Maskindorn

3.3 Avsedd användning

Produkten som beskrivs är en handhållen mejselhammare med 28 mm sexkantschuck. Den är avsedd för mejslingsarbeten i betong, tegel och asfalt. Den kan även användas för stampning och schaktning.

- ▶ Använd bara verktyget anslut till huvudnät med spänning och frekvens som stämmer överens med uppgifterna på verktygets typskylt.

3.4 Möjlig felanvändning

Den här produkten är inte avsedd för bearbetning av hälsovådliga material.
Den här produkten är inte avsedd att användas i fuktiga miljöer..

3.5 Serviceindikator

På mejselhammaren finns en serviceindikator med ljussignal.

Status	Betydelse
Serviceindikatorn lyser rött.	Drifttiden för service har uppnåtts. Verktyget är skadat.
Serviceindikatorn blinkar rött.	Överhettningsskydd Strömförsörjningen har för hög spänning.

Se till att lämna in produkten till **Hilti**-service i tid. På så sätt vet du att produkten alltid är driftklar.

3.6 Active Vibration Reduction (AVR)

Mejselhammaren är utrustad med ett Active Vibration Reduction (AVR)-system som minskar vibrationerna avsevärt.



3.7 Leveransinnehåll

Mejselhammare, bruksanvisning och fett.
Transportvagnen erbjuds som tillbehör.



Dessutom finns fler systemprodukter för din produkt i ditt **Hilti**-center eller online på adressen: www.hilti.group

4 Teknisk information



Märkspänning, märkström, frekvens och/eller märkeffekt finns angivet på den landsspecifika typskylten på ditt verktyg.

Om verktyget drivs via en generator eller transformator måste denna ha en uteffekt som är minst dubbelt så hög som den märkeffekt som finns angiven på verktygets typskylt. Transformatorns eller generatorns driftspänning måste alltid ligga inom +5 % och -15 % av verktygets märkspänning.

	TE 3000-AVR
Vikt enligt EPTA-procedure 01	29,9 kg
Enkelslagsenergi enligt EPTA Procedure	68 J
Förvaringstemperatur	-20 °C ... 70 °C
Omgivningstemperatur vid drift	-17 °C ... 60 °C

4.1 Bullerinformation och vibrationsvärden enligt EN 62841

De ljudtrycks- och vibrationsvärden som anges i anvisningarna har uppmätts med en standardiserad mätmetod och kan användas för att jämföra olika elverktyg med varandra. De kan också användas för att göra en preliminär uppskattning av exponeringarna.

De angivna värdena representerar borrhammarens huvudsakliga användning. När elverktyget begagnas inom andra områden, med andra insatsverktyg eller med otillräckligt underhåll, kan mätning ge avvikande värden. Det innebär att exponeringen under den totala arbetstiden kan ökas betydligt.

För att uppskattningen av exponeringarna ska bli exakt bör man också räkna in de tider då verktyget är frånkopplat, eller då det är igång men inte används. Det kan betydligt minska exponeringen under den totala arbetstiden.

Vidta även andra säkerhetsåtgärder för att skydda användaren mot effekterna av buller och vibrationer, exempelvis: underhåll av elverktyg och insatsverktyg, möjlighet att hålla händerna varma, välorganiserade arbetsförlopp.

Bullerinformation

Ljudeffektnivå (L_{WA})	105 dB(A)
Osäkerhet ljudeffektnivå (K_{WA})	3 dB(A)
Ljudtrycksnivå (L_{pA})	94 dB(A)
Osäkerhet ljudtrycksnivå (K_{pA})	3 dB(A)

Vibrationsinformation

Mejsling ($a_{h, Cheq}$)	7 m/s ²
Osäkerhet (K)	1,5 m/s ²

4.2 Användning av förlängningskabel



VARNING

Fara på grund av skadad kabel! Om kabeln eller förlängningskabeln skadas under arbetet får du inte röra vid den. Dra ut kabeln ur uttaget.

- ▶ Kontrollera verktygets anslutningskabel regelbundet och låt en behörig fackman byta ut den om den är skadad.
- Använd endast för användningsområdet godkända förlängningskablar med tillräckligt stor ledningsarea. Annars finns risk för nedsatt verktygs kapacitet och överhettning i kabeln.
- Kontrollera regelbundet att förlängningskabeln inte är skadad.



- Byt ut skadade förlängningskablar.
- Vid arbete utomhus, använd endast en förlängningskabel som är godkänd och märkt för detta ändamål.

Rekommenderad minsta area och största kabellängd vid 120V nätspänning

Kabel	AWG 16	AWG 14	AWG 12	AWG 10
Kabelarea	1,31 mm ²	2,08 mm ²	3,31 mm ²	5,26 mm ²
Kabelarea	2,58 kcmil	4,11 kcmil	6,53 kcmil	10,4 kcmil
Kabellängd	25 m	30 m	50 m	100 m
Kabellängd	75 ft	100 ft	150 ft	250 ft

5 Användning

5.1 Förberedelser för arbete


FÖRSIKTIGHET

Risk för personskada! Oavsiktlig igångsättning av produkten.


- Dra alltid ur elsladden innan du gör några inställningar på verktyget eller byter tillbehördelar.

Observera de säkerhets- och varningsanvisningar som du hittar i dokumentationen och på själva enheten.

5.1.1 Byta insatsverktyg

 Kontrollera alltid verktyget innan du börjar använda det så att det inte är skadat eller ojämnt slitet. Byt ut det vid behov. Kontrollera att låsbygeln är ren och oskadd.

1. Fetta in insticksänden på insatsverktyget en aning.
2. Öppna låsbygeln.
3. Stick in insatsverktyget i chucken tills det tar stopp.
4. För låsbygeln till låsposition A på verktyg med ansats.
5. För låsbygeln till låsposition B på verktyg med spår.
 - ↳ Placera mejseln så att den pekar mot låsposition B.
6. Dra in mejseln för att kontrollera att den sitter fast ordentligt.
 - ↳ Kombinationsverktyg med styrkrage och mutter kan låsas antingen i spärrläge A eller B.

 Använd endast originalfett från **Hilti**. Användning av olämpligt fett kan orsaka skador på produkten.

5.1.2 Ta ur insatsverktyg

VARNING

Risk för personskada Verktyget blir varmt när det används och kan ha vassa kanter.

- Använd skyddshandskar vid verktygsbyte.

FARA

Brandfara Fara vid kontakt mellan det heta verktyget och lättantändliga material.

- Ställ inte det heta verktyget på lättantändligt material.

VARNING

Risk för personskada Risk för brännskador på heta ytor.

- Undvik att komma i kontakt med styrroret, eftersom detta hettas upp under användning.

1. Öppna låsbygeln.
2. Dra ut insatsverktyget ur chucken.



5.2 Nätkabel med stickkontakt

FÖRSIKTIGHET

Risk för personskada på grund av läckström vid smutsiga kontakter.

► Se till att endast ansluta den löstagbara kontakten till elverktyget i rent, torrt och spänningslöst tillstånd.

► Ansluta/ta loss nätkabel med stickkontakt.

5.2.1 Ansluta nätkabel med stickkontakt

FÖRSIKTIGHET

Risk för personskada på grund av läckström vid smutsiga kontakter.

► Se till att endast ansluta den löstagbara kontakten till elverktyget i rent, torrt och spänningslöst tillstånd.

1. För in den kodade avtagbara nätkabeln så långt det går i verktyget tills du hör att spärren hakar i.
2. Stick in elkontakten i uttaget.

5.2.2 Dra ut nätkabel ur elverktyg

1. Dra ut elkontakten ur uttaget.
2. Tryck ner låsningknappen och dra ut den kodade, avtagbara nätkabeln.
3. Dra ut nätkabeln ur verktyget.

6 Skötsel och underhåll

VARNING

Risk för personskada vid anslutet batteri !

► Ta alltid bort batteriet innan skötsel och underhåll utförs!

Verktygets skötsel

- Ta försiktigt bort smuts som fastnat på verktyget.
- Rengör ventilationsspringorna försiktigt med en torr borste.
- Rengör höljet med en lätt fuktad trasa. Använd inte rengöringsmedel med silikon, eftersom det kan skada plastdelarna.

Skötsel av litiumjonbatterier

- Håll batteriet rent och fritt från olja och fett.
- Rengör höljet med en lätt fuktad trasa. Använd inte rengöringsmedel med silikon, eftersom det kan skada plastdelarna.
- Se till att ingen fukt tränger in.

Underhåll

- Kontrollera regelbundet att inga synliga delar har skadats och att alla reglage fungerar som de ska.
- Använd inte produkten om den uppvisar skador eller funktionsstörningar. Skicka den direkt till **Hilti Service** för reparation.
- Efter att skötsel- och underhållsarbete utförts ska alla skyddsanordningar alltid monteras och kontrolleras.



Använd endast originalreservdelar och förbrukningsmaterial för säker drift. Godkända reservdelar, förbrukningsmaterial och tillbehör till din produkt från oss hittar du i närmaste **Hilti Store** eller på: www.hilti.group.

7 Transport och förvaring

- Transportera inte elverktyget med monterat insatsverktyg.
- Förvara alltid elverktyget med nätsladden urdragen.
- Förvara verktyget torrt och utom räckhåll för barn och obehöriga personer.
- Kontrollera alltid att elverktyget inte uppvisar några skador innan du använder det första gången efter en längre tids transport eller förvaring.



8 Felsökning

Kontakta **Hilti** Service om det uppstår ett fel som inte finns med i den här tabellen eller som du inte lyckas åtgärda på egen hand.

8.1 Felsökning

Fel	Möjlig orsak	Lösning
Mejselhammaren startar inte.	Elektroniken initieras (i ca 4 sekunder efter det att kontakten anslutits). Den elektroniska startspärren efter strömbavbrott har aktiverats.	► Stäng av verktyget och slå sedan på det igen.
	Strömförsörjningen är bruten.	► Koppla in ett annat elverktyg och se om det fungerar.
	Generatoren i viloläge.	► Belasta generatoren med en andra förbrukare (t.ex. en byggglampa). Stäng av verktyget och slå sedan på det igen.
	Nätkabel med stickkontakt är inte riktigt ansluten.	► Anslut nätkabeln med stickkontakt på rätt sätt.
Serviceindikator lyser rött.	Skador på verktyget eller drifttiden för service har uppnåtts.	► Låt endast Hilti kundservice reparera produkten.
Serviceindikator blinkar rött.	Strömförsörjningen har för hög spänning	► Byt uttag. Kontrollera elnätet.
	Överhettningsskydd.	► Låt verktyget svalna. Rengör ventilationsspringorna. Tomgångsdrift är fortfarande möjlig.
Inget slag.	Verktyget är för kallt.	► Sätt mejselhammaren på underlaget och kör den på tomgång. Upprepa detta om så krävs, tills slagmekanismen kommer igång.
Mejselhammaren startar inte eller kopplas från vid drift.	Förlängningskabeln är alltför lång och/eller har alltför liten area.	► Använd en förlängningskabel med tillåten längd och med tillräcklig area.

9 Avfallshantering

Hilti-verktyg är till stor del tillverkade av återvinningsbara material. En förutsättning för återvinning är att materialen separeras på rätt sätt. I många länder kan du lämna in ditt uttjänta verktyg så att **Hilti** tar hand om det. Hör efter med **Hilti**s kundtjänst eller din kontaktperson.



- Kasta inte elverktyg, elektronisk apparatur och batterier i hushållssoporna.

10 RoHS (föreskrifter för begränsning av användningen av farliga ämnen)

Använd den här länken för att komma till tabellen över farliga ämnen: qr.hilti.com/r4783.

En länk till RoHS-tabellen hittar du i slutet på det här dokumentet i form av en QR-kod.

11 Tillverkargaranti

- Vänd dig till din lokala **Hilti**-representant om du har frågor om garantivillkoren.



1 Informasjon om dokumentasjonen

1.1 Om denne dokumentasjonen

- Les denne dokumentasjonen før du tar produktet i bruk. Dette er en forutsetning for sikkerhet under arbeidet og problemfri bruk.
- Følg sikkerhetshenvisningene og advarslene i denne dokumentasjonen og på produktet.
- Oppbevar alltid bruksanvisningen på produktet, og lever bruksanvisningen fra deg sammen med produktet hvis det overtas av andre personer.

1.2 Symbolforklaring

1.2.1 Farehenvisninger

Farehenvisninger advarer mot farer under håndtering av produktet. Følgende signalord brukes:



FARE !

- ▶ For en umiddelbart truende fare som kan føre til alvorlige personskader eller død.



ADVARSEL !

- ▶ Varsler en mulig fare som kan føre til alvorlige personskader eller død.



FORSIKTIG !

- ▶ Varsler om en mulig farlig situasjon som kan føre til lettere personskade eller skade på utstyr og annen eiendom.

1.2.2 Symboler i dokumentasjonen

Følgende symboler brukes i denne dokumentasjonen:

	Les bruksanvisningen før bruk
	Anvisninger om bruk og annen nyttig informasjon
	Håndtering av resirkulerbare materialer
	Ikke kast elektriske apparater eller batterier i husholdningsavfallet

1.2.3 Symboler i illustrasjoner

Følgende symboler brukes i illustrasjonene:

	Disse tallene henviser til illustrasjonen foran i denne bruksanvisningen
	Nummereringen angir rekkefølgen for arbeidstrinnene på bildet og kan avvike fra arbeidstrinnene i teksten
	Posisjonsnumrene brukes i illustrasjonen Oversikt og henviser til numrene på teksten i avsnittet Produktoversikt
	Dette symbolet betyr at håndtering av produktet krever stor grad av oppmerksomhet.

1.3 Symboler på produktet

1.3.1 Symboler på produktet

Følgende symboler kan brukes på produktet:

	Beskyttelsesklasse II (dobbelisolert)
--	---------------------------------------





Transport med kran er forbudt



Trådløs dataoverføring

1.4 Produktinformasjon

Hilti-produkter er laget for profesjonell bruk og må kun brukes, vedlikeholdes og repareres av kyndig personale. Dette personalet må informeres om eventuelle farer som kan oppstå. Produktet og tilleggsutstyr kan utgjøre en fare hvis det betjenes av ukvalifisert personale eller det benyttes feil.

Typebetegnelse og serienummer står på typeskiltet.

- ▶ Skriv inn serienummeret i tabellen nedenfor. Du trenger produktspesifikasjonene ved henvendelser til Hiltis representant eller servicesenter.

Produktspesifikasjoner → Side 44

Produktspesifikasjoner

Meiselhammer	TE 3000-AVR
Generasjon	01
Serienummer	

1.5 Samsvarserklæring

Vi erklærer herved at produktet som er beskrevet her, er i samsvar med gjeldende normer og direktiver. Du finner et bilde av samsvarserklæringen på slutten av denne dokumentasjonen.

Den tekniske dokumentasjonen er lagret her:

Hilti Entwicklungsgesellschaft mbH | Zulassung Geräte | Hiltistraße 6 | 86916 Kaufering, DE

2 Sikkerhet

2.1 Generelle sikkerhetsregler for elektroverktøy

⚠ ADVARSEL Les alle sikkerhetsanvisninger og andre anvisninger. Manglende overholdelse av sikkerhetsanvisninger og andre anvisninger kan medføre elektrisk støt, brann og/eller alvorlige skader.

Overhold alle sikkerhetsanvisninger og instruksjoner i hele bruksperioden.

Begrepet "elektroverktøy" som er brukt i sikkerhetsanvisningene, viser til nettdrevne elektroverktøy (med nettkabel) og batteridrevne elektroverktøy (uten nettkabel).

Sikkerhet på arbeidsplassen

- ▶ **Hold arbeidsområdet rent og godt opplyst.** Rotete eller dårlig belyste arbeidsområder kan føre til ulykker.
- ▶ **Bruk ikke elektroverktøyet i eksplosjonsfarlige omgivelser hvor det befinner seg brennbare flytende stoffer, gasser eller støv.** Elektroverktøy lager gnister som kan antenne støv eller damp.
- ▶ **Hold barn og andre personer på sikker avstand mens elektroverktøyet brukes.** Hvis du blir forstyrret under arbeidet, kan du miste kontrollen over verktøyet.

Elektrisk sikkerhet

- ▶ **Elektroverktøyets støpsele må passe i stikkontakten. Støpselet må ikke forandres på noen som helst måte. Bruk ikke adapterkontakt på elektroverktøyet som er jordet.** Originale plugger og egnede stikkontakter minsker risikoen for elektrisk støt.
- ▶ **Unngå kroppskontakt med jordete overflater som rør, radiatorer, komfyrer eller kjøleskap.** Risikoen for elektriske støt er høyere når kroppen er jordet.
- ▶ **Hold elektroverktøyet unna regn og fuktighet.** Risikoen for et elektrisk støt øker ved inntrenging av vann i et elektroverktøy.
- ▶ **Bruk ikke ledningen til å bære elektroverktøyet, henge det opp eller til å dra støpselet ut av stikkontakten. Hold ledningen unna varme, olje, skarpe kanter eller maskindeler som beveger seg.** Skadede eller sammenviklede ledninger øker risikoen for elektriske støt.
- ▶ **Bruk kun skjøteledning som også er godkjent for utendørs bruk når du arbeider med et elektroverktøy utendørs.** Bruk av skjøteledning som er egnet til utendørs bruk, minsker risikoen for elektrisk støt.
- ▶ **Må elektroverktøyet brukes i fuktige omgivelser, er det nødvendig å bruke en jordfeilbryter.** Bruk av en jordfeilbryter reduserer risikoen for elektrisk støt.



Personsikkerhet

- ▶ **Vær oppmerksom, pass på hva du gjør, og gå fornuftig fram under arbeidet med et elektroverktøy. Ikke bruk elektroverktøy når du er trøtt eller påvirket av narkotika, alkohol eller medikamenter.** Et øyeblikks uoppmerksomhet ved bruk av elektroverktøyet kan være nok til å forårsake alvorlige personskader.
- ▶ **Bruk alltid personlig verneutstyr og vernebriller.** Bruk av personlig verneutstyr som støvmaske, sklisikre vernesko, hjelm eller hørselsvern – avhengig av type og bruk av elektroverktøyet – reduserer risikoen for skader.
- ▶ **Unngå utilsiktet start. Forsikre deg om at elektroverktøyet er slått av før du setter i stikkkontakten eller batteriet, løfter den eller flytter på den.** Hvis du holder fingeren på bryteren når du bærer elektroverktøyet, eller kobler elektroverktøyet til strøm i innkoblet tilstand, kan dette føre til uhell.
- ▶ **Fjern justeringsverktøy og skrunøkkel før du slår på elektroverktøyet.** Et verktøy eller en nøkkel som befinner seg i en roterende maskindel, kan føre til skader.
- ▶ **Unngå uhensiktsmessige arbeidsposisjoner. Sørg for å stå stødig og i balanse.** Dermed kan du kontrollere elektroverktøyet bedre i uventede situasjoner.
- ▶ **Bruk egnede klær. Ikke bruk vide klær eller smykker. Hold hår, tøy og hansker unna deler som beveger seg.** Løstsittende tøy, smykker eller langt hår kan komme inn i deler som beveger seg.
- ▶ **Hvis det er montert støvavsugs- og oppsamlingsinnretninger, må det kontrolleres at disse er koblet til og blir brukt på riktig måte.** Bruk av et støvavsug kan redusere faremomentene i forbindelse med støv.

Bruk og behandling av elektroverktøyet

- ▶ **Ikke overbelast verktøyet. Bruk et elektroverktøy som er beregnet til den type arbeid du vil utføre.** Med et passende elektroverktøy arbeider du bedre og sikrere i det angitte effektområdet.
- ▶ **Ikke bruk elektroverktøy med defekt bryter.** Et elektroverktøy som ikke lenger kan slås av eller på, er farlig og må repareres.
- ▶ **Dra ut støpselet fra stikkkontakten og/eller ta ut batteriet før du foretar maskinnstillinger, bytter tilleggsutstyr eller legger bort verktøyet.** Disse tiltakene forhindrer en utilsiktet start av elektroverktøyet.
- ▶ **Oppbevar elektroverktøy som ikke brukes utenfor barns rekkevidde. La ikke personer som ikke er fortrolige med eller ikke har lest instruksjonene, bruke verktøyet.** Elektroverktøy er farlige når de brukes av uerfarne personer.
- ▶ **Sørg for grundig stell og vedlikehold av elektroverktøyet. Kontroller at bevegelige deler på elektroverktøyet fungerer feilfritt og ikke klemmes fast, og om deler er brukt eller skadet, slik at dette innvirker på elektroverktøyet funksjon. La skadde deler repareres før elektroverktøyet brukes.** Mange ulykker er et resultat av dårlig vedlikeholdte elektroverktøy.
- ▶ **Hold skjæreverktøy skarpe og rene.** Godt vedlikeholdte skjæreverktøy med skarpe skjærekanten blir sjeldnere fastklemt og er lettere å styre.
- ▶ **Bruk elektroverktøy, tilbehør, arbeidsverktøy osv. i overensstemmelse med denne anvisningen. Ta hensyn til arbeidsforholdene og arbeidet som skal utføres.** Bruk av elektroverktøy til andre formål enn det som er angitt kan føre til farlige situasjoner.

Service

- ▶ **Elektroverktøyet må kun repareres av kvalifisert fagpersonale og kun med originale reservedeler.** Slik opprettholdes elektroverktøets sikkerhet.

2.2 Sikkerhetsanvisninger for borhammere

- ▶ **Bruk hørselsvern.** Påvirkning av støy kan føre til hørselstap.
- ▶ **Bruk håndtakene som leveres med maskinen.** Tap av kontroll kan føre til skader.
- ▶ **Hold maskinen i de isolerte håndtaksflatene når du utfører arbeid der verktøybits kan komme i kontakt med skjulte strømledninger.** Kontakt med en spenningsførende ledning kan også sette maskinens metalldele under spenning og føre til elektrisk støt.

2.3 Ekstra sikkerhetsanvisninger

Personsikkerhet

- ▶ Bruk bare maskinen i teknisk feilfri stand.
- ▶ Ikke foreta modifiseringer eller endringer på maskinen.
- ▶ Ved gjennombruddsarbeider må området på den andre siden sikres. Deler som brytes ut, kan falle ut og/eller ned og skade andre personer.
- ▶ Kontroller at sidehåndtaket er riktig montert og forskriftsmessig festet. Hold alltid maskinen fast med begge hendene i de to håndtakene. Hold håndtakene tørre, rene og fri for olje og fett.



- ▶ Ta pauser i arbeidet og gjør øvelser for å sikre bedre blodsirkulasjon i fingrene. Ved langvarig arbeid kan det oppstå skader på blodkar eller nervesystemet i fingrer, hender eller håndledd.
- ▶ Maskinen er ikke beregnet for svake personer uten opplæring.
- ▶ Sørg for at maskinen ikke er tilgjengelig for barn.
- ▶ Før arbeidet påbegynnes, må du bringe på det rene hvilken fareklasse støvmaterialet som oppstår, tilhører. Bruk en anleggsstøvsuger med offisiell beskyttelsesklassifisering sammen med maskinen. Maskinen må oppfylle lokale støvbeskyttelseskrav.
- ▶ Bruk hvis mulig støvavsug og en egnet mobil støvsuger. Støv fra materialer som blyholdig maling, enkelte tresorter, betong/mur/stein som inneholder kvarts, mineraler og metaller kan være helseskadelig.
- ▶ Sørg for god ventilasjon på arbeidsplassen, og bruk eventuelt åndedrettsvern tilpasset den aktuelle typen støv. Berøring eller innånding av slike typer støv kan fremkalle allergiske reaksjoner og/eller luftveissykdommer hos brukeren og andre personer som oppholder seg i nærheten. Bestemte typer støv som eikestøv eller bøkestøv regnes som kreftfremkallende, særlig i forbindelse med stoffer for trebehandling (kromat, trepleiemidler). Asbestholdige materialer skal kun håndteres av kvalifisert personell.

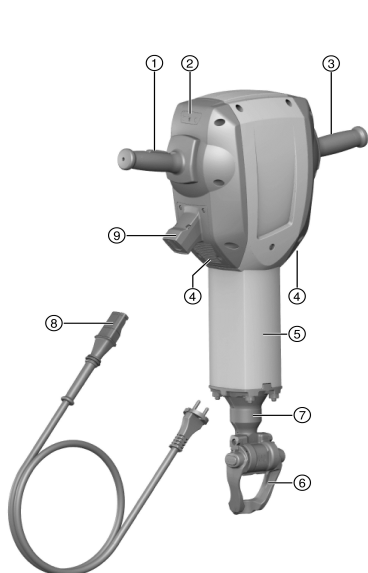
Elektrisk sikkerhet

- ▶ Kontroller før arbeidet påbegynnes at det ikke finnes skjulte strømledninger, gass- eller vannrør i arbeidsområdet. Utvendige metalldeleer på maskinen kan forårsake elektrisk støt hvis du utilsiktet skulle skade en strømledning.
- ▶ Kontroller maskinens tilførselsledning regelmessig, og sørg for at den blir skiftet av fagfolk hvis den blir skadd. Hvis elektroverktøyets ledning er skadd, må den skiftes ut med en godkjent, spesielt utformet ledning som kan skaffes via kundeservice. Kontroller skjøteledninger regelmessig, og skift dem ut hvis de blir skadde. Ikke ta på ledningen hvis den skades under arbeid. Trekk støpslet ut av stikkkontakten. Skader på ledninger og skjøteledninger innebærer fare for elektrisk støt.
- ▶ La tilsmussede maskiner som ofte brukes til bearbeiding av ledende materialer, kontrolleres regelmessig av **Hilti** service. Støv, især av ledende materialer, eller fuktighet på maskinens overflate gjør at det er vanskelig å holde den, og under ugunstige forhold kan det føre til elektrisk støt.
- ▶ Slå av maskinen og trekk ut støpslet ved strøbrudd. Dette hindrer utilsiktet start av maskinen når strømmen kommer tilbake.



3 Beskrivelse

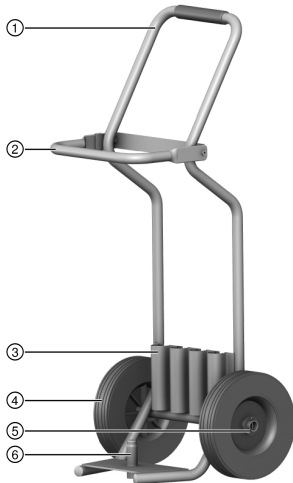
3.1 Produktoversikt



- ① Av/på-bryter
- ② Serviceindikator
- ③ Håndtak
- ④ Ventilasjonsåpninger
- ⑤ Føringsrør
- ⑥ Verktøyfeste/låsebøyle
- ⑦ Chuck
- ⑧ Strømledning med kodet, avtakbar plugg-kontakt
- ⑨ Kontakt på elektroverktøy



3.2 Transportvognkomponenter 2



- ① Håndtak
- ② Låsebøyle
- ③ Holder for forbruksmateriale (meisel)
- ④ Hjul
- ⑤ Hjulsikring (skive, splint)
- ⑥ Maskinfestetapp

3.3 Forskriftsmessig bruk

Det beskrevne produktet er en håndholdt meiselhammer med 28 mm sekskantchuck. Den er beregnet for meising i betong, mur og asfalt. Andre bruksområder er stamping og graving.

- ▶ Bruk maskinen kun når den er knyttet til hovedledning med en spenning og frekvens som er i overensstemmelse med informasjonen på typeskiltet.


3.4 Mulig feilbruk

Dette produktet er ikke beregnet til arbeid med helsefarlige materialer.
 Dette produktet er ikke beregnet til arbeid i fuktige omgivelser.

3.5 Serviceindikator

Meiselhammeren er utstyrt med en serviceindikator med lyssignal.

Tilstand	Betydning
Serviceindikatoren lyser rødt.	Maskinens driftstid før en service er nådd. Skader på maskinen.
Serviceindikatoren blinker rødt.	Overopphetingsvern Strømtilførsel har for høy spenning.

 Lever produktet inn til **Hilti** service i god tid. Da er det alltid klart til bruk.

3.6 Active Vibration Reduction (AVR)

Meiselhammeren er utstyrt med et Active Vibration Reduction (AVR)-system som reduserer vibrasjonen betraktelig.



3.7 Dette følger med:

meiselhammer, bruksanvisning, fett.
Transportvognen leveres som ekstrautstyr.



I tillegg finner du tillatte systemprodukter til produktet hos nærmeste **Hilti**-senter eller på nettet under: www.hilti.group

4 Tekniske data



Merkespenning, merkestrøm, frekvens og/eller nominell inngangseffekt står på typeskiltet for ditt land.

Ved drift med generator eller transformator må generatorens eller transformatorens utgangseffekt være minst dobbelt så stor som den nominelle inngangseffekten som er oppgitt på maskinens typeskilt. Driftsspenningen for transformatoren eller generatoren må alltid ligge innenfor +5 % og -15 % av merkespenningen for maskinen.

	TE 3000-AVR
Vekt i henhold til EPTA-prosedyre 01	29,9 kg
Enkeltlagenergi ifølge EPTA-prosedyre	68 J
Lagringstemperatur	-20 °C ... 70 °C
Omgivelsestemperatur under drift	-17 °C ... 60 °C

4.1 Støyinformasjon og vibrasjonsverdier iht. EN 62841

Lydtrykk- og vibrasjonsverdiene som er angitt i denne bruksanvisningen, er målt i samsvar med en normert målemetode og kan brukes til sammenligning av elektroverktøy. De egner seg også til en foreløpig vurdering av eksponeringene.

De angitte dataene representerer de viktigste bruksområdene for elektroverktøyet. Men hvis elektroverktøyet brukes til andre formål, med avvikende innsatsverktøy eller med utilstrekkelig vedlikehold, kan dataene avvike. Dette kan øke eksponeringene betraktelig gjennom hele arbeidsperioden.

For å få en nøyaktig vurdering av eksponeringene må man også ta hensyn til tidsrommene da maskinen er slått av eller er i gang, men ikke i drift. Dette kan redusere eksponeringene betraktelig gjennom hele arbeidsperioden.

Fastsett ekstra sikkerhetstiltak for å beskytte operatøren mot effekten av støy og/eller vibrasjoner, for eksempel: Vedlikehold av elektroverktøy og innsatsverktøy, holde hendene varme, organisering av arbeidsprosesser.

Støyinformasjon

Lydeffektnivå (L_{WA})	105 dB(A)
Usikkerhet lydeffektnivå (K_{WA})	3 dB(A)
Støynivå (L_{pA})	94 dB(A)
Usikkerhet lydtryknivå (K_{pA})	3 dB(A)

Vibrasjonsinformasjon

Meisling ($a_{h, Cheq}$)	7 m/s ²
Usikkerhet (K)	1,5 m/s ²

4.2 Bruk av skjøteledning



ADVARSEL

Fare på grunn av skadd ledning! Ikke ta på maskinens ledning eller skjøteledning hvis de skades under arbeid. Trekk støpslet ut av stikkkontakten.

- ▶ Kontroller maskinens tilførselsledning regelmessig, og sørg for at den blir skiftet av fagfolk hvis den blir skadd.
- Bruk skjøteledning som er godkjent for bruksområdet og som har stort nok ledningstverrsnitt. I motsatt fall kan det oppstå effekttap på maskinen og overoppheting av kabelen.



- Kontroller med jevne mellomrom at det ikke har oppstått skader på skjøteledningen.
- Bytt ut skjøteledninger med feil.
- Ved jobbing utendørs, bruk kun skjøteledninger som er godkjent og merket for dette bruk.

Anbefalt minste diameter og maksimale kabellengder ved 120 V nettspenning

Kabel	AWG 16	AWG 14	AWG 12	AWG 10
Kabeltverrsnitt	1,31 mm ²	2,08 mm ²	3,31 mm ²	5,26 mm ²
Kabeltverrsnitt	2,58 kcmil	4,11 kcmil	6,53 kcmil	10,4 kcmil
Kabellengde	25 m	30 m	50 m	100 m
Kabellengde	75 ft	100 ft	150 ft	250 ft

5 Betjening

5.1 Klargjøring til arbeidet

FORSIKTIG

Fare for personskader! Utsikket start av produktet.

- ▶ Trekk støpselet ut av stikkkontakten før du foretar maskininnstillinger eller skifter tilbehørsdeler.

Følg sikkerhetshenvisningene og advarslene i denne dokumentasjonen og på produktet.

5.1.1 Sette i innsatsverktøy



Kontroller alltid om det er skader eller ujevn slitasje på verktøyet før det tas i bruk, og skift det eventuelt ut. Kontroller at låsebøylen er ren og uten skader.

1. Smør innstikkenden til innsatsverktøyet med litt fett.
2. Åpne låsebøylen.
3. Sett innsatsverktøyet inn i chucken til anslag.
4. For verktøy med krage settes låsebøylen i låseposisjon A.
5. For verktøy med spor settes låsebøylen i låseposisjon B.
 - ↳ Plasser meiselen slik at sporet peker mot låseposisjon B.
6. Trekk i verktøyet for å forsikre deg om at det er godt festet.
 - ↳ Kombinerte verktøy med krage og spor kan låses i låseposisjon A og B etter eget valg.



Bruk bare originalfett fra **Hilti**. Bruk av uegnet fett kan føre til skade på produktet.

5.1.2 Ta ut verktøyet

ADVARSEL

Fare for personskader Verktøyet blir varmt under bruk og kan ha skarpe kanter.

- ▶ Bruk vernehansker ved skifte av verktøy.

FARE

Brannfare! Fare ved kontakt mellom varmt verktøy og lett antenkelige materialer.

- ▶ Ikke legg et varmt verktøy på lett antenkelige materialer.

ADVARSEL

Fare for personskader Forbrenningsfare på grunn av varme overflater.

- ▶ Unngå berøring med føringsrøret fordi dette blir meget varmt under drift.

1. Åpne låsebøylen.
2. Trekk innsatsverktøyet ut av chucken.



5.2 Avtakbar strømledning

FORSIKTIG

Fare for personskader på grunn av krypestrøm på skitne kontakter.

► Den avtakbare pluggkontakten må være ren, tørr og spenningsfri når den skal kobles til elektroverktøyet.

► Koble til/fra den avtakbare strømledningen.

5.2.1 Koble til avtakbar strømledning

FORSIKTIG

Fare for personskader på grunn av krypestrøm på skitne kontakter.

► Den avtakbare pluggkontakten må være ren, tørr og spenningsfri når den skal kobles til elektroverktøyet.

1. Skyv den kodete, avtakbare pluggkontakten til anslag i maskinen til den smekker hørbart på plass.
2. Sett støpslet inn i stikkkontakten.

5.2.2 Koble den avtakbare strømledningen fra elektroverktøyet

1. Trekk støpslet ut av stikkkontakten.
2. Trykk på låseknappen, og trekk ut den kodete, avtakbare pluggkontakten.
3. Trekk strømledningen ut av maskinen.

6 Service og vedlikehold

ADVARSEL

Fare for personskader på grunn av isatt batteri !

► Ta alltid ut batteriet før stell og vedlikeholdsarbeid!

Stell av maskinen

- Fjern gjenstridig smuss forsiktig.
- Rengjør ventilasjonsåpningene forsiktig med en tørr børste.
- Rengjør huset bare med en lett fuktet klut. Ikke bruk silikonholdige pleiemiddel, da dette kan angripe plastdelene.

Stell av Li-Ion-batterier

- Hold batteriet rent og fritt for olje og fett.
- Rengjør huset bare med en lett fuktet klut. Ikke bruk silikonholdige pleiemiddel, da dette kan angripe plastdelene.
- Unngå inntrenging av fuktighet.

Vedlikehold

- Kontroller alle synlige deler regelmessig mht. skade og alle betjeningselementene mht. feilfri funksjon.
- Ved skader og/eller funksjonsfeil må produktet ikke brukes. Få maskinen reparert av **Hilti** service snarest mulig.
- Etter stell- og vedlikeholdsarbeid må alle beskyttelsesinnretninger monteres, og det må foretas funksjonskontroll av dem.



Av hensyn til sikkerheten må du bare bruke originale reservedeler og forbruksmaterialer. Reservedeler, forbruksmaterialer og tilbehør til produktet, som er godkjent av oss, finner du hos **Hilti Store** eller under: www.hilti.group.

7 Transport og lagring

- Elektroverktøyet må ikke transporteres med isatt verktøy.
- Oppbevar alltid elektroverktøy med uttrukket nettstøpsel.
- Oppbevar maskinen tørt og utenfor barns og uvedkommendes rekkevidde.
- Etter lang transport eller lengre tids oppbevaring må elektroverktøyet kontrolleres mht. skade før bruk.



8 Feilsøking

Ved feil som ikke står i denne tabellen eller som du selv ikke kan rette opp, må du kontakte **Hilti Service**.

8.1 Feilsøking

Feil	Mulig årsak	Løsning
Meiselhammeren starter ikke.	Initialisering av elektronikken pågår (i ca. 4 sekunder fra kontakten settes inn). Den elektroniske startspærren er aktivert etter et strømbrudd.	▶ Slå maskinen av og på igjen.
	Spenningstilførselen er brutt.	▶ Sett på et annet elektroverktøy og kontroller funksjonen.
	Dynamo i Sleep Mode.	▶ Belast dynamoen med en andre forbruker (f.eks. bygglampe). Slå deretter maskinen av og på igjen.
	Den innstikkbare nettkabelen ikke riktig satt i.	▶ Koble den innstikkbare nettkabelen riktig til elektroverktøyet.
Serviceindikatoren lyser rødt.	Skader på maskinen, eller maskinens driftstid før en service er nådd.	▶ Få alltid produktet reparert av Hilti service .
Serviceindikatoren blinker rødt.	Strømtilførsel har for høy spenning	▶ Skift ut stikkkontakten. Kontroller strømmettet.
	Overopphetingsvern.	▶ La verktøyet kjøles av. Rengjør ventilasjonsåpningene. Drift på tomgang er fremdeles mulig.
Slageffekt uteblir.	Maskinen er for kald.	▶ Sett meiselhammeren på underlaget og la den gå på tomgang. Gjøenta hvis nødvendig til slagverket arbeider.
Meiselhammeren starter ikke eller kobles ut under arbeid.	Skjøteledning for lang og/eller med for lite tverrsnitt.	▶ Skjøteledning med tillatt lengde og/eller med tilstrekkelig tverrsnitt.

9 Avhending

Hilti maskiner er i stor grad laget av resirkulerbart materiale. En forskriftsmessig materialsortering er en forutsetning for resirkulering. I mange land tar **Hilti** din gamle maskin i retur. Spør **Hilti** kundeservice eller forhandleren din.



- ▶ Kast aldri elektroverktøy, elektronisk utstyr eller batterier i husholdningsavfallet!

10 RoHS (direktiv for begrensning av bruk av farlige stoffer)

Under følgende lenke finner du tabellen over farlige stoffer: qr.hilti.com/r4783.

Du finner en lenke til RoHS-tabellen helt til slutt i denne dokumentasjonen som QR-kode.

11 Produsentgaranti

- ▶ Når det gjelder spørsmål om garantibetingelser, ber vi deg kontakte din lokale **Hilti**-partner.



1 Dokumentaation tiedot

1.1 Tästä dokumentaatiosta

- Lue ehdottomasti tämä dokumentaatio ennen tuotteen käyttöönottoa. Se on turvallisen työnteon ja tuotteen ongelmattoman käsittelyn perusedellytys.
- Noudata tässä dokumentaatiossa ja tuotteessa olevia turvallisuus- ja varoitusohjeita.
- Säilytä käyttöohje aina tuotteen yhteydessä ja varmista, että käyttöohje on mukana, kun luovutat tuotteen toiselle henkilölle.

1.2 Merkkien selitykset

1.2.1 Varoitusohjeet

Varoitusohjeet varoittavat tuotteen käyttöön liittyvistä vaaroista. Seuraavia varoitustekstejä käytetään:

VAKAVA VAARA

VAKAVA VAARA !

- ▶ Varoittaa uhkaavasta vaaratilanteesta, josta voi seurauksena olla vakava loukkaantuminen tai jopa kuolema.

VAARA

VAARA !

- ▶ Varoittaa mahdollisesta vaarasta, josta voi seurauksena olla vakava loukkaantuminen tai kuolema.





VAROITUS

VAROITUS !

- ▶ Varoittaa mahdollisesta vaaratilanteesta, josta voi seurata loukkaantuminen tai aineellinen vahinko.


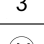


1.2.2 Symbolit dokumentaatiossa

Tässä dokumentaatiossa käytetään seuraavia symboleita:

	Lue käyttöohje ennen käyttämistä
	Toimintaohjeita ja muuta hyödyllistä tietoa
	Kierrätyskelpoisten materiaalien käsittely
	Älä hävitä sähkölaitteita ja akkuja tavallisen sekajätteen mukana

1.2.3 Symbolit kuvissa


Kuvissa käytetään seuraavia symboleita:

	Nämä numerot viittaavat vastaavaan kuvaan tämän käyttöohjeen alussa
	Numerointi kertoo työvaiheiden järjestyksen kuvissa ja saattaa poiketa numeroinnista tekstissä
	Kohtanumeroita käytetään kuvassa Yleiskuva , ja ne viittaavat kuvatekstien numerointiin kappaleessa Tuoteyhteenveto
	Tämän merkin tarkoitus on kiinnittää erityinen huomiosi tuotteen käyttöön ja käsittelyyn.

1.3 Symbolit tuotteessa

1.3.1 Symbolit tuotteessa

Tuotteessa voidaan käyttää seuraavia symboleita:

	Suojausluokka II (kaksinkertainen eristys)
---	--





Nosturilla kuljettaminen kielletty



Langaton tiedonsiirto

1.4 Tuotetiedot

Hilti-tuotteet on tarkoitettu ammattikäyttöön, ja niitä saa käyttää, huoltaa tai korjata vain valtuutettu, koulutettu henkilö. Käyttäjän pitää olla hyvin perillä käyttöön liittyvistä vaaroista. Tuote ja sen varusteet saattavat aiheuttaa vaaratilanteita, jos kokemattomat henkilöt käyttävät tuotetta ohjeiden vastaisesti tai muutoin asiattomasti.

Tyypimerkinnän ja sarjanumeron löydät tyyppikilvestä.

- Kirjoita sarjanumero ohiseen taulukkoon. Tuotteen tiedot tarvitaan, jos esität kysymyksiä myynti- tai huoltoedustajallemme.

Tuotetiedot → Sivu 54

Tuotetiedot

Piikkausvasara	TE 3000-AVR
Sukupolvi	01
Sarjanumero	

1.5 Vaatimustenmukaisuusvakuutus

Vakuutamme, että tässä kuvattu tuote täyttää voimassa olevien direktiivien ja standardien vaatimukset. Kuva vaatimustenmukaisuusvakuutuksesta on tämän dokumentaation lopussa.

Tekninen dokumentaatio löytyy tästä:

Hilti Entwicklungsgesellschaft mbH | Zulassung Geräte | Hiltistraße 6 | 86916 Kaufering, DE

2 Turvallisuus

2.1 Sähkötyökaluja koskevat yleiset turvallisuusohjeet

⚠ VAKAVA VAARA Lue kaikki turvallisuus- ja käyttöohjeet. Turvallisuus- ja käyttöohjeiden noudattamatta jättäminen saattaa johtaa sähköiskuun, tulipaloon ja/tai vakavaan loukkaantumiseen.

Säilytä kaikki turvallisuus- ja käyttöohjeet huolellisesti vastaisen varalle.

Turvallisuusohjeissa käytetty käsite "sähkötyökalu" tarkoittaa verkkokäyttöisiä sähkötyökaluja (joissa verkkojohto) ja akkukäyttöisiä sähkötyökaluja (joissa ei verkkojohtoa).

Työpaikan turvallisuus

- **Pidä työskentelyalue siistinä ja hyvin valaistuna.** Työpaikan epäjärjestys ja valaisemattomat työalueet voivat johtaa tapaturmiin.
- **Älä käytä sähkötyökalua räjähdysalttiissa ympäristössä, jossa on syttyvää nestettä, kaasua tai pölyä.** Sähkötyökalut synnyttävät kipinöitä, jotka saattavat sytyttää pölyn tai höyryt.
- **Pidä lapset ja sivulliset loitolla sähkötyökalua käyttäessäsi.** Voit menettää sähkötyökalun hallinnan huomiosi suuntautuessa muualle.

Sähköturvallisuus

- **Sähkötyökalun pistokkeen pitää sopia pistorasiaan. Pistoketta ei saa muuttaa millään tavalla. Älä käytä pistorasia-adaptoreita suojamaadotettujen sähkötyökalujen yhteydessä.** Alkuperäisessä kunnossa olevat pistokkeet ja sopivat pistorasiat vähentävät sähköiskun vaaraa.
- **Vältä koskettamasta sähköä johtaviin pintoihin kuten putkiin, pattereihin, liesiin ja jääkaappeihin.** Sähköiskun vaara kasvaa, jos kehosi maadottuu.
- **Älä aseta sähkötyökalua alttiiksi sateelle tai kosteudelle.** Veden tunkeutuminen sähkötyökalun sisään lisää sähköiskun vaaraa.
- **Älä kannata tai ripusta sähkötyökalua verkkojohdoistaan äläkä vedä pistoketta irti pistorasiasta johdosta vetämällä. Pidä johto loitolla kuumuudesta, öljystä, terävistä reunoista ja liikkuvista osista.** Vahingoittuneet tai toisiinsa kietoutuneet johdot lisäävät sähköiskun vaaraa.
- **Kun käytät sähkötyökalua ulkona, käytä ainoastaan ulkokäyttöön soveltuvaa jatkojohtoa.** Ulko- käyttöön soveltuvan jatkojohdon käyttö pienentää sähköiskun vaaraa.
- **Jos sähkötyökalua on välttämätöntä käyttää kosteassa ympäristössä, käytä vikavirtasuojakytintä.** Vikavirtasuojakytimen käyttö pienentää sähköiskun vaaraa.



Henkilöturvallisuus

- ▶ **Ole valpas, kiinnitä huomiota työskentelyysi ja noudata tervettä järkeä sähkötyökalua käyttäessäsi. Älä käytä sähkötyökalua, jos olet väsynyt tai huumeiden, alkoholin tai lääkkeiden vaikutuksen alaisena.** Sähkötyökalua käytettäessä hetkellinenkin varomattomuus saattaa aiheuttaa vakavia vammoja.
- ▶ **Käytä henkilökohtaisia suojavarusteita ja aina suojalaseja.** Henkilökohtaiset suojavarusteet, kuten hengityssuojain, luistamattomat turvajalkineet, kypärä ja kuulosuojaimet, pienentävät oikein käytettyinä loukkaantumisriskiä sähkötyökalun käyttötilanteesta riippuen.
- ▶ **Varo tahatonta käynnistämistä.** Varmista, että sähkötyökalu on kytketty pois päältä, ennen kuin liität sen verkkovirtaan ja/tai liität siihen akun, otat sen käteesi tai kannat sitä. Jos kannat sähkötyökalua sormi käyttökytkimellä tai liität pistokkeen pistorasiaan käyttökytkimen ollessa käyntiasennossa, altistat itsesi onnettomuuksille.
- ▶ **Poista kaikki säätötyökalut ja ruuvitaltat, ennen kuin käynnistät sähkötyökalun.** Työkalu tai avain, joka sijaitsee sähkötyökalun pyöriivässä osassa, saattaa johtaa loukkaantumiseen.
- ▶ **Vältä vaikeita työskentelyasentoja.** Varmista aina tukeva seisoma-asento ja tasapaino. Siten voit paremmin hallita sähkötyökalua odottamattomissa tilanteissa.
- ▶ **Käytä työohsi soveltuvia vaatteita. Älä käytä löysiä työvaatteita tai koruja. Pidä hiukset, vaatteet ja käsineet loitolla liikkuvista osista.** Väljät vaatteet, korut ja pitkät hiukset voivat takertua liikkuviin osiin.
- ▶ **Jos pölynpoisto- ja keräilylaitteita voidaan asentaa, sinun on tarkastettava, että ne on liitetty oikein ja että niitä käytetään oikealla tavalla.** Pölynpoistovarustuksen käyttö vähentää pölyn aiheuttamia vaaroja.

Sähkötyökalun käyttö ja käsittely

- ▶ **Älä yliuormita konetta. Käytä kyseiseen työhön tarkoitettua sähkötyökalua.** Sopivaa sähkötyökalua käyttäen työskentelet paremmin ja varmemmin tehoalueella, jolle sähkötyökalu on tarkoitettu.
- ▶ **Älä käytä sähkötyökalua, jonka käyttökytkin ei toimi.** Sähkötyökalu, jota ei enää voida käynnistää ja pysäyttää käyttökytkimellä, on vaarallinen ja se täytyy korjata.
- ▶ **Irrota pistoke pistorasiasta ja/tai irrota akku ennen kuin muutat säätöjä, vaihdat terää tai lisävarusteita ja kun lopetat työkalun käyttämisen.** Tämä turvatoimenpide estää sähkötyökalun tahattoman käynnistysriskin.
- ▶ **Säilytä sähkötyökalut poissa lasten ulottuvilta, kun niitä ei käytetä. Älä anna toisten henkilöiden käyttää sähkötyökalua, elleivät he ole perehtyneet sen käyttöön ja lukeneet käyttöohjeita.** Sähkötyökalut ovat vaarallisia, jos niitä käyttävät kokemattomat henkilöt.
- ▶ **Hoida sähkötyökalujasi huolella. Tarkasta, että liikkuvat osat toimivat moitteettomasti eivätkä ole puristuksissa, ja tarkasta myös, ettei sähkötyökalussa ole murtuneita tai vaurioituneita osia, jotka saattaisivat haitata sen toimintaa. Korjauta vaurioituneet osat ennen työkalun käyttämistä.** Usein loukkaantumisten ja tapaturmien syyinä on sähkötyökalujen laiminlyöty huolto.
- ▶ **Pidä terät terävinä ja puhtaina.** Huolella hoidetut terät, joiden leikkausreunat ovat teräviä, eivät jumitu herkästi, ja niillä työntekeo on kevyempää.
- ▶ **Käytä sähkötyökalua, lisävarusteita ja tarvikkeita, teriä jne. niiden käyttöohjeiden mukaisesti. Ota tällöin työolosuhteet ja suoritettava työtehtävä huomioon.** Sähkötyökalun käyttö muuhun kuin sille tarkoitettuun käyttöön saattaa johtaa vaarallisiin tilanteisiin.

Huolto

- ▶ **Anna koulutettujen ammattihenkilöiden korjata sähkötyökalusi ja hyväksy korjauksiin vain alkupe räisiä varaosia.** Siten varmistat, että sähkötyökalu säilyy turvallisena.

2.2 Poravasaroita koskevat turvallisuusohjeet

- ▶ **Käytä kuulosuojaimia.** Melu saattaa heikentää kuuloasi.
- ▶ **Käytä koneen mukana toimitettuja lisäkäsikahvoja.** Koneen hallinnan menettäminen saattaa aiheuttaa loukkaantumisia.
- ▶ **Pidä koneesta kiinni vain sen eristetyistä kahvapinnoista, jos teet työtä, jossa sähkötyökalun terä saattaa osua rakenteen sisällä olevaan virtajohtoon tai koneen verkkojohtoon.** Jos terä osuu virtajohtoon, koneen metalliosiin saattaa johtua virta, jolloin saatat saada sähköiskun.

2.3 Muut turvallisuusohjeet

Henkilöturvallisuus

- ▶ Käytä vain konetta, joka on teknisesti moitteettomassa kunnossa.
- ▶ Älä koskaan tee koneeseen minkäänlaisia muutoksia.
- ▶ Kun teet reikiä, varmista työstettävän kohdan taustapuoli. Putoamaan tai sinkoutumaan pääsevät palaset voivat aiheuttaa muille vammoja.



- ▶ Varmista, että sivukahva on kiinnitetty oikein ja kunnolla kiinni. Pidä aina molemmin käsin kiinni koneen käsikahvoista. Pidä käsikahvat kuivina, puhtaina, öljytöminä ja rasvattomina.
- ▶ Pidä työssäsi taukoja, joiden aikana tee sormivoimisteluliikkeitä varmistaaksesi sormiesi hyvän verenkierron. Pitempään jatkuva työnteko saattaa tänä vuoksi aiheuttaa verenkiertohäiriöitä tai sormien, käsien ja ranteiden hermokipuja.
- ▶ Koneetta ei ole tarkoitettu voimiltaan heikkojen henkilöiden käyttöön ilman opastusta ja apua.
- ▶ Älä jätä konetta lasten ulottuville.
- ▶ Selvitä työssä syntyvän pölyn vaarallisuus ennen työn aloittamista. Käytä rakennustyömaakäyttöön hyväksyttyä pölynimuria, joka täyttää viralliset pölysuojaluokitusmääräykset.
- ▶ Käytä mahdollisuuksien mukaan pölynpoistovarustusta ja liikuteltavaa pölynpoistolaitetta. Tiettyjen materiaalien kuten lyijypitoisen maalin, joidenkin puulajien, kvartsia sisältävän betonin / muurauksen / kivityksen ja mineraalien sekä metallien pölyt voivat olla terveydelle vaarallisia.
- ▶ Varmista työpisteen hyvä tuuletus ja tarvittaessa käytä hengityssuojainta, joka soveltuu kyseessä olevalla pölylle. Pölyjen ihokosketus tai hengittäminen saattaa aiheuttaa allergisia reaktioita ja/tai hengitystiesairauksia koneen käyttäjälle tai lähellä oleville henkilöille. Tietty pölyt kuten tammen tai pyökin pöly on luokiteltu syöpää aiheuttaviksi, erityisesti jos niihin liittyy puunkäsittelyn lisäaineita (kromaatti, puunsuoja-aineet). Asbestia sisältäviä materiaaleja saavat työstää vain erikoiskoulutetut henkilöt.

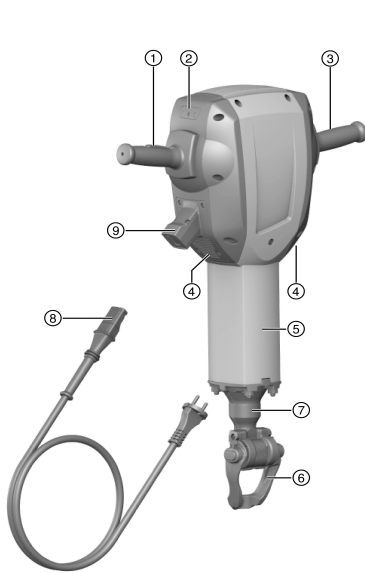
Sähköturvallisuus

- ▶ Tarkasta ennen työn aloittamista, onko työskentelyalueella rakenteiden sisälle asennettuja sähköjohtoja tai kaasu- ja vesiputkia. Koneen ulkopinnan metalliosista saatat saada sähköiskun, jos vahingossa osut sähköjohtoon.
- ▶ Tarkasta verkkojohdon kunto säännöllisesti, ja jos havaitset vaurioita, vaihdeta verkkojohto erikoiskorjaamossa. Jos sähkötyökalun liitäntäjohto on vaurioitunut, sen tilalle on vaihdettava erityisesti tähän käyttöön tarkoitettu ja hyväksytty johto; näitä johtoja on saatavana huolto-organisaation kautta. Tarkasta jatkojohdon kunto säännöllisesti, ja vaihda johto, jos havaitset vaurioita. Jos verkkojohto tai jatkojohto vaurioituu työskentelyn aikana, älä kosketa johtoa. Irrota pistoke verkkopistorasiasta. Vaurioituneet liitäntäjohdot ja jatkojohdot aiheuttavat vakavan sähköiskun vaaran.
- ▶ Tarkastuta likaantunut kone säännöllisin välein **Hilti**-huollossa, jos työstät sähköä johtavia materiaaleja usein. Koneen pintaan kertynyt pöly, etenkin sähköä johtavien materiaalien pöly, tai kosteus saattavat epäsuotuisissa tilanteissa aiheuttaa sähköiskun.
- ▶ Jos virransaanti katkeaa, katkaise koneesta virta ja irrota pistoke verkkopistorasiasta. Tämä estää konetta käynnistymästä vahingossa, kun virransaanti palautuu.



3 Kuvaus

3.1 Tuoteyhteenvedo

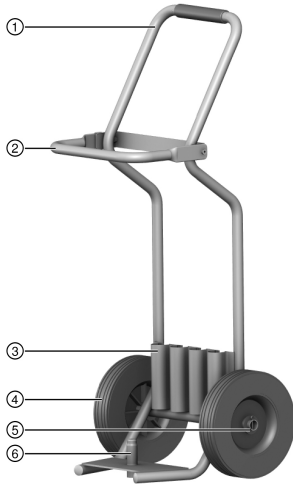


- ① Käyttökytkin
- ② Huoltotarpeen merkkivalo
- ③ Kahva
- ④ Jäähdytysilmaraat
- ⑤ Ohjainputki
- ⑥ Työkäluterän lukitus / lukituskaari
- ⑦ Istukka
- ⑧ Verkkojohto jossa koodattu, irrotettava pistoke
- ⑨ Liitäntä sähkötyökalussa



3.2 Kuljetusvaunun osat 2

- ① Kahva
- ② Lukituskaari
- ③ Työkalujen (piikkausterien) teline
- ④ Pyörät
- ⑤ Pyörälukko (levy, sokka)
- ⑥ Koneen kiinnitystappi



3.3 Tarkoituksenmukainen käyttö

Kuvattu tuote on käsiohjattava piikkausvasara, jossa on 28 mm:n kuusiokantaistukka. Se on tarkoitettu betonin, tiilen, muurauksen ja asfaltin piikkaustöihin. Muita käyttötarkoituksia ovat juntaaminen ja kaivaminen.

- ▶ Koneen saa liittää vain verkkovirtaan, jonka jännite ja taajuus vastaavat koneen tyyppikilvessä olevia tietoja.

3.4 Mahdollinen väärä käyttö


Tämä tuote ei sovellu terveydelle vaarallisten materiaalien työstöön.

Tämä tuote ei sovellu kosteassa ympäristössä käytettäväksi.

3.5 Huoltotarpeen merkkivalo

Piikkausvasarassa on huoltotarpeen merkkivalo.

Tila	Merkitys
Huoltotarpeen merkkivalo palaa punaisena.	Käyttöajan perusteella huolto on tullut ajankohtaiseksi. Kone vaurioitunut.
Huoltotarpeen merkkivalo vilkkuu punaisena.	Ylikuumentumisuoja Tuleva jännite on liian suuri.

 Vie tuote ajoissa **Hilti**-huoltoon. Siten se pysyy aina käyttövalmiina.

3.6 Active Vibration Reduction (AVR)

Piikkausvasarassa on Active Vibration Reduction (AVR) -järjestelmä, joka merkittävästi vähentää värinää.



3.7 Toimituksen sisältö

Piikkausvasara, käyttöohje, rasvaa.
Kuljetusvaunu on saatavissa lisävarusteena.

Muita tälle tuotteelle hyväksytyjä järjestelmätuotteita löydät **Hilti**-edustajalta tai internetistä osoitteesta: www.hilti.com

4 Tekniset tiedot

Nimellisjännitteen, nimellisvirran, verkkovirran taajuuden ja/tai nimellisottotehon näet maakohtaisesta tyyppikilvestä.

Jos konetta käytetään generaattoriin tai muuntajaan liitettynä, generaattorin tai muuntajan antotehon pitää olla vähintään kaksi kertaa niin suuri kuin koneen tyyppikilpeen merkitty nimellisottoteho. Muuntajan tai generaattorin käyttöjännitteen pitää aina olla rajoissa +5 % ja -15 % koneen nimellisjännitteestä.

	TE 3000-AVR
Paino EPTA 01 mukaan	29,9 kg
Yhden iskun energia EPTA mukaan	68 J
Varastointilämpötila	-20 °C ... 70 °C
Ympäristön lämpötila käytettäessä	-17 °C ... 60 °C

4.1 Melutiedot ja värinäarvot EN 60745 mukaan

Tässä käyttöohjeessa annetut äänenpaine- ja värinäarvot on mitattu standardoitujen mittausmenetelmien mukaisesti, ja näitä arvoja voidaan käyttää sähkötyökalujen vertailussa. Ne soveltuvat myös altistumisten tilapäiseen arviointiin.

Annetut arvot koskevat sähkötyökalun pääasiallisia käyttötarkoituksia. Jos sähkötyökalua kuitenkin käytetään muihin tarkoituksiin, poikkeavia työkaluja tai teriä käyttäen tai puutteellisesti huollettuna, arvot voivat poiketa tässä ilmoitetuista. Tämä saattaa merkittävästi lisätä altistumista koko työskentelyajan aikana.

Altistumisia tarkasti arvioitaessa on otettava huomioon myös ne ajat, jolloin kone on kytketty pois päältä tai jolloin kone on päällä, mutta sillä ei tehdä varsinaista työtä. Tämä saattaa merkittävästi vähentää altistumista koko työskentelyajan aikana.

Käyttäjän suojaamiseksi melun ja/tai värinän vaikutukselta ryhdy tarpeellisiin turvatoimenpiteisiin kuten: Sähkötyökalun ja siihen kiinnitettävien työkalujen huolto, käsien lämpimänä pitäminen, työtehtävien organisointi.

Melutiedot

Melutehotaso (L_{WA})	105 dB(A)
Äänitehotason epävarmuus (K_{WA})	3 dB(A)
Äänenpainetaso (L_{pA})	94 dB(A)
Äänenpainetaso epävarmuus (K_{pA})	3 dB(A)

Tärinäarvot

Piikkaaminen ($a_{h, Cheq}$)	7 m/s ²
Epävarmuus (K)	1,5 m/s ²

4.2 Jatkojohdon käyttö

VAARA

Johdon vaurion aiheuttama vaara! Jos verkkojohto tai jatkojohto vaurioituu käytön aikana, älä kosketa johtoa. Irrota verkkopistoke verkkopistorasiasta.

► Tarkasta verkkojohdon kunto säännöllisesti, ja jos havaitset vaurioita, vaihdata verkkojohto erikoiskorjaamossa.

- Käytä vain käyttötarkoitukseen hyväksytyjä jatkojohtoja, joiden poikkipinta-ala on riittävä. Muutoin koneen teho voi olla normaalia heikompi ja johto saattaa ylikuumentua.
- Tarkasta jatkojohdon mahdolliset vauriot säännöllisin välein.
- Vaihda vaurioitunut jatkojohto.



- Jos työskentelet ulkona, käytä vain ulkokäyttöön tarkoitettua jatkojohtoa.

Johdon suositeltu minimipoikkipinta-ala ja max. sallittu pituus kun 120 V verkkojännite

Johdot	AWG 16	AWG 14	AWG 12	AWG 10
Johdon poikkipinta-ala	1,31 mm ²	2,08 mm ²	3,31 mm ²	5,26 mm ²
Johdon poikkipinta-ala	2,58 kcmil	4,11 kcmil	6,53 kcmil	10,4 kcmil
Johdon pituus	25 m	30 m	50 m	100 m
Johdon pituus	75 ft	100 ft	150 ft	250 ft

5 Käyttö

5.1 Työkohteen valmistelu

VAROITUS

Loukkaantumisvaara! Tuotteen käynnistyminen vahingossa.

- ▶ Irrota pistoke verkkopistorasiasta, ennen kuin muutat koneen säätöjä tai vaihdat lisävarusteosia.

Noudata tässä dokumentaatioissa ja tuotteessa olevia turvallisuus- ja varoitushuomautuksia.

5.1.1 Työkaluterän kiinnitys



Aina ennen käyttöä tarkasta työkaluterän mahdolliset vauriot sekä epätasainen kuluminen ja tarvittaessa vaihda työkaluterä. Tarkasta lukituskaaren likaantuneisuus ja vauriot.

1. Rasvaa työkaluterän istukkapää kevyesti.
2. Avaa lukituskaari.
3. Aseta työkaluterä vasteeseen saakka istukkaan.
4. Jos työkaluterässä on olake, aseta lukituskaari lukitusasentoon A.
5. Jos työkaluterässä on ura, aseta lukituskaari lukitusasentoon B.
 - ↳ Aseta piikkausterä siten, että ura osoittaa lukitusasennon B suuntaan.
6. Tarkasta työkaluterän kunnollinen kunnollinen vetämällä työkaluterästä.
 - ↳ Jos työkaluterässä on sekä olake että ura, voit käyttää joko lukitusasentoa A tai B.



Käytä vain alkuperäistä **Hilti**-rasvaa. Soveltumattoman rasvan käyttö voi vaurioittaa tuotetta.

5.1.2 Työkaluterän irrotus

VAARA

Loukkaantumisvaara Terä kuumenee käytössä ja siinä saattaa olla teräviä reunoja.

- ▶ Käytä terän vaihdossa suojakäsineitä.

VAKAVA VAARA

Palovaara Kuumen työkalun ja helposti syttyvien materiaalien välisen kosketuksen aiheuttama vaara.

- ▶ Älä laske kuumaa työkalua herkästi syttyvien materiaalien päälle.

VAARA

Loukkaantumisvaara Kuumat pinnat voivat aiheuttaa palovammoja.

- ▶ Varo, että et koske ohjainputkeen, sillä se kuumenee koneen käytön myötä.

1. Avaa lukituskaari.
2. Vedä työkalu irti istukasta.



5.2 Irrotettava verkkojohto

VAROITUS

Loukkaantumisvaara Likaantuneiden liittimien aiheuttama vuotovirtavaara.

► Irrotettavan sähköpistokkeen saa liittää sähkötyökaluun vain, kun pistoke on puhdas, kuiva ja jännitteetön.

► Liitä/irrota irrotettava verkkojohto.

5.2.1 Irrotettavan verkkojohdon liittäminen

VAROITUS

Loukkaantumisvaara Likaantuneiden liittimien aiheuttama vuotovirtavaara.

► Irrotettavan sähköpistokkeen saa liittää sähkötyökaluun vain, kun pistoke on puhdas, kuiva ja jännitteetön.

1. Työnnä koodattu, irrotettava sähköpistoke koneeseen vasteeseen saakka siten, että kuulet lukittumisen.
2. Liitä pistoke verkkopistorasiaan.

5.2.2 Irrotettavan verkkojohdon irrottaminen sähkötyökalusta

1. Irrota pistoke verkkopistorasiasta.
2. Paina lukituspainiketta ja vedä koodattu, irrotettava sähköpistoke irti.
3. Vedä verkkojohto irti koneesta.

6 Huolto, hoito ja kunnossapito

VAARA

Loukkaantumisvaara jos akku paikallaan !

► Irrota akku aina ennen hoito- ja kunnostustöitä!

Koneen hoito

- Poista pinttynyt lika varovasti.
- Puhdista jäähdytysilmaraot varovasti kuivalla harjalla.
- Käytä kotelon puhdistamiseen vain kevyesti kostutettua kangasta. Älä käytä silikonia sisältäviä hoitoaineita, sillä ne voivat vaurioittaa muoviosia.

Litiumioniakkujen hoito

- Pidä akku puhtaana, öljyttömänä ja rasvattomana.
- Käytä kotelon puhdistamiseen vain kevyesti kostutettua kangasta. Älä käytä silikonia sisältäviä hoitoaineita, sillä ne voivat vaurioittaa muoviosia.
- Varo, ettei kosteutta pääse tunkeutumaan sisään.

Kunnossapito

- Tarkasta säännöllisin välein kaikkien näkyvien osien mahdolliset vauriot ja käyttöelementtien moitteeton toiminta.
- Jos havaitset vaurioita ja / tai toteat toimintahäiriöitä, älä käytä tuotetta. Korjauta heti **Hilti**-huollossa.
- Hoito- ja kunnostustöiden jälkeen kiinnitä kaikki suojalaitteet ja tarkasta niiden toiminta.



Käyttöturvallisuuden varmistamiseksi käytä vain alkuperäisiä varaosia ja käyttömateriaaleja. Tälle tuotteelle hyväksytyjä varaosia, kulutusmateriaaleja ja lisävarusteita löydät **Hilti Store** -liikkeestä tai osoitteesta: www.hilti.group.

7 Kuljetus ja varastointi

- Älä kuljeta sähkötyökalua työkaluterä kiinnitettynä.
- Varastoi sähkötyökalu aina sen pistoke verkkopistorasiasta irrotettuna.
- Varastoi kone lasten ja asiattomien henkilöiden ulottumattomissa.
- Pitemmän kuljetuksen tai varastoinnin jälkeen tarkasta sähkötyökalun mahdolliset vauriot ennen käyttöä.

8 Apua häiriötilanteisiin

Häiriöissä, joita ei ole kuvattu tässä taulukossa tai joita et itse pysty poistamaan, ota yhteys **Hilti**-huoltoon.



8.1 Vianmääritys

Häiriö	Mahdollinen syy	Ratkaisu
Piikkausvasara ei käynnisty.	Elektroniikan perusasetus on käynnissä (kestää noin 4 sekuntia pistokkeen liittämisen jälkeen). Elektroninen käynnistyksenesto on kytkeytynyt päälle virran katkeamisen seurauksena.	► Kytke kone pois päältä ja takaisin päälle.
	Katkos jännitteensaannissa.	► Liitä toinen sähkötyökalu ja tarkasta toimiiko se.
	Generaattori Sleep Mode -tilassa.	► Kuormita generaattoria toisella kuluttimella (esimerkiksi työmaalampulla). Kytke kone sitten pois päältä ja takaisin päälle.
	Irrotettava verkkojohto ei ole kunnolla kiinni.	► Liitä irrotettava verkkojohto oikein sähkötyökaluun.
Huoltotarpeen merkkivalo palaa punaisena.	Vika koneessa tai käyttöajan perusteella huolto on tullut ajankohitaiseksi.	► Korjauta tuote aina vain Hilti -huollossa.
Huoltotarpeen merkkivalo vilkkuu punaisena.	Tuleva jännite on liian suuri	► Vaihda pistorasiaa. Tarkasta verkkovirta.
	Ylikuumentumissuoja.	► Tarvittaessa anna koneen jäähtyä. Puhdista jäähdytysilmaraot. Käyttö tyhjäkäynnillä on vielä mahdollista.
Ei iskuja.	Kone liian kylmä.	► Aseta piikkausvasara pintaa vasten ja anna käydä tyhjäkäynnillä. Tarvittaessa toista tämä, kunnes iskumekanismi toimii.
Piikkausvasara ei käynnisty tai kytkeytyy käytön aikana pois päältä.	Jatkojohto liian pitkä ja / tai sen poikkipinta-ala on liian pieni.	► Käytä jatkojohtoa, jonka pituus on sallittu ja / tai poikkipinta-ala on riittävä.

9 Hävittäminen

Hilti-työkalut, -koneet ja -laitteet on pääosin valmistettu kierrätyskelpoisista materiaaleista. Kierrätyksen edellytys on materiaalien asianmukainen lajittelu. Useissa maissa **Hilti** ottaa vanhat koneet ja laitteet vastaan kierrätystä ja hävitystä varten. Lisätietoja saat **Hilti**-huollosta tai -edustajalta.



- Älä hävitä sähkötyökaluja, elektronisista laitteita ja akkuja tavallisen sekajätteen mukana!

10 RoHS (vaarallisten aineiden käytön rajoittamisen direktiivi)

Vaarallisten aineiden taulukon löydät seuraavasta linkistä: qr.hilti.com/r4783.
Linkki RoHS-taulukkoon on tämän dokumentaation lopussa QR-koodina.

11 Valmistajan myöntämä takuu

- Jos sinulla on takuuehtoihin liittyviä kysymyksiä, ota yhteys paikalliseen **Hilti**-edustajaan.



1 Andmed dokumentatsiooni kohta

1.1 Kasutusjuhend

- Enne seadme kasutuselevõttu lugege see kasutusjuhend läbi. See on ohutu kasutamise ja tõrgeteta töö eeldus.
- Järgige kasutusjuhendis esitatud ja tootele märgitud ohutusnõudeid ja hoiatusi.
- Hoidke kasutusjuhend alati seadme juures ja toote edasiandmisel teistele isikutele andke üle ka kasutusjuhend.

1.2 Märkide selgitus

1.2.1 Hoiatused

Hoiatused annavad märku toote kasutamisel tekkivatest ohtudest. Kasutatakse alljärgnevat märksõnu:



OHT

OHT !

- ▶ Võimalikud ohtlikud olukorrad, mis võivad põhjustada kasutaja raskeid kehavigastusi või hukkamist.



HOIATUS

HOIATUS !

- ▶ Võimalik ohtlik olukord, mis võib põhjustada kasutaja raskeid kehavigastusi või hukkamist.



ETTEVAATUST

ETTEVAATUST !

- ▶ Võimalikud ohtlikud olukorrad, millega võivad kaasnedna kergemad kehavigastused või varaline kahju.

1.2.2 Kasutusjuhendis kasutatud sümbolid

Selles dokumendis kasutatakse järgmisi sümboleid.



Lugege enne kasutamist läbi kasutusjuhend!



Soovitused seadme kasutamiseks ja muu kasulik teave



Taaskasutatavate materjalide käsitlemine



Elektriseadmeid ja akusid ei tohi visata olmejäätmete hulka.

1.2.3 Joonistel kasutatud sümbolid

Joonistel kasutatakse järgmisi sümboleid.



Numbrid viitavad vastavatele joonistele kasutusjuhendi alguses



Numeratsioon kajastab töetappide järjekorda pildi kujul ja võib tekstis kirjeldatud töetappidest erineda



Positsiooninumbreid **kasutatakse ülevaatejoonisel** ja need viitavad selgituste numbritele **toote ülevaates**



See märk näitab, et toote käsitlemisel tuleb olla eriti tähelepanelik.

1.3 Tootel olevad sümbolid

1.3.1 Sümbolid tootel

Tootel võidakse kasutada järgmisi sümboleid:



Kaitseklass II (topeltisolatsioon)





Kraanaga transportimine keelatud!



Traadita andmeedastus

1.4 Tooteinfo

Hilti tooted on mõeldud professionaalsele kasutajale ning nendega tohivad töötada ja neid hooldada üksnes selleks volitatud, asjakohase kvalifikatsiooniga töötajad. Nimetatud personal peab olema teadlik kõikidest kaasnevatest ohtudest. Seade ja sellega ühendatavad abivahendid võivad osutada ohtlikuks, kui neid ei kasutata nõuetekohaselt või kui nendega töötab vastava väljaõppeta isik.

Tüübitähis ja seerianumber on tüübisildil.

- ▶ Kandke seerianumber järgmise tabelisse. Andmeid toote kohta vajate meie esindusele või hooldekeskusele päringute esitamisel.

Toote andmed → Lehekülg 64

Toote andmed

Piikvasar	TE 3000-AVR
Põlvkond	01
Seerianumber	

1.5 Vastavusdeklaratsioon

Kinnitame ainuvastutajana, et käesolevas kasutusjuhendis kirjeldatud seade vastab kehtivate direktiivide ja standardite nõuetele: Vastavusdeklaratsiooni ärakirja leiata käesoleva kasutusjuhendi lõpust.

Tehnilised dokumendid on saadaval:

Hilti Entwicklungsgesellschaft mbH | Zulassung Geräte | Hiltistraße 6 | 86916 Kaufering, DE

2 Ohutus

2.1 Üldised ohutusnõuded elektriliste tööriistade kasutamisel

⚠ HOIATUS Lugege läbi kõik ohutusnõuded ja juhised. Järgnevate ohutusnõuete eiramise tagajärjeks võib olla elektrilöök, tulekahju ja/või rasked vigastused.

Hoidke kõik ohutusnõuded ja juhised edaspidiseks kasutamiseks alles.

Järgnevalt kasutatud mõiste "elektriline tööriist" käib võrgutoitega (toitejuhtmega) elektriliste tööriistade ja akutoitega (ilma toitejuhtmata) elektriliste tööriistade kohta.

Ohutus töökojal

- ▶ **Hoidke oma töökoht puhas ja valgustage seda korralikult.** Korrastamata ja valgustamata töökoht võib põhjustada õnnetusi.
- ▶ **Ärge kasutage elektrilist tööriista plahvatusohtlikus keskkonnas, kus leidub tuleohtlikke vedelikke, gaase või tolmu.** Elektrilistest tööriistadest lööb sädemeid, mis võivad tolmu või auru süüdata.
- ▶ **Elektrilise tööriista kasutamise ajal hoidke lapsed ja teised isikud töökohest eemal.** Kui Teie tähelepanu juhitakse kõrvale, võib seade Teie kontrolli alt väljuda.

Elektriohutus

- ▶ **Elektrilise tööriista pistik peab pistikupesaga sobima. Pistiku kallal ei tohi teha mingeid muudatusi. Kaitsemaandusega seadmete puhul ei tohi kasutada adapterpistikuid.** Muutmata pistikud ja sobivad pistikupesad vähendavad elektrilöögi ohtu.
- ▶ **Vältige kehalist kontakti maandatud pindadega, näiteks torude, radiaatorite, pliitide ja külmikutega.** Kui Teie keha on maandatud, on elektrilöögi oht suurem.
- ▶ **Kaitske elektrilist tööriista vihma ja niiskuse eest.** Kui elektrilise tööriista sisemusse on sattunud vett, on elektrilöögi oht suurem.
- ▶ **Ärge kasutage toitejuhet elektrilise tööriista kandmiseks, ülesriputamiseks ega pistiku väljatõmbamiseks pistikupesast. Kaitske toitejuhet kuumuse, õli, teravate servade ja seadme liikuvate osade eest.** Kahjustatud või keerduläinud toitejuhtmed suurendavad elektrilöögi ohtu.
- ▶ **Kui töötate elektrilise tööriistaga vabas õhus, kasutage ainult pikendusjuhtmeid, mis on ette nähtud kasutamiseks ka välitingimustes.** Välitingimustes kasutamiseks ettenähtud pikendusjuhtme kasutamine vähendab elektrilöögi ohtu.



- ▶ **Kui seadmega töötamine niiskes keskkonnas on vältimatu, kasutage rikkevoolukaitselüliti.** Rikkevoolukaitselüliti kasutamine vähendab elektrilöögi ohtu.

Isikuohutus

- ▶ **Olge tähelepanelik, jälgige, mida teete, ning toimige elektrilise tööriistaga töötades kaalutletult. Ärge töötage elektrilise tööriistaga, kui olete väsinud või alkoholi, narkootikumide või ravimite mõju all.** Hetkeline tähelepanematus elektrilise tööriista kasutamisel võib põhjustada raskeid kehavigastusi ja varalist kahju.
- ▶ **Kandke isikukaitsevahendeid ja alati kaitseprille.** Isikukaitsevahendite, näiteks tolmu maski, libisemiskindlate turvajalatsite, kaitsekiivri või kuulmiskaitsevahendite kandmine – sõltuvalt elektrilise tööriista tüübist ja kasutusala – vähendab vigastuste ohtu.
- ▶ **Vältige elektrilise tööriista tahtmatut käivitamist. Enne elektrilise tööriista ühendamist vooluvõrguga ja/või elektrilise tööriista aku paigaldamist, tööriista ülestõstmist ja kandmist veenduge, et see on välja lülitatud.** Kui hoiate elektrilise tööriista kandmisel sõrme lüliti või ühendate vooluvõrku sisselülitatud tööriista, võib tagajärjeks olla tööõnnetus.
- ▶ **Enne elektrilise tööriista sisselülitamist eemaldage selle küljest reguleerimis- ja mutrivõtmed.** Elektrilise tööriista pöörleva osa küljes olev reguleerimis- või mutrivõti võib põhjustada vigastusi.
- ▶ **Vältige ebatavalist tööasendit. Võtke stabiilne tööasend ja säilitage kogu aeg tasakaal.** Nii saate seadet ootamatutes olukordades paremini kontrollida.
- ▶ **Kandke sobivat rõivastust. Ärge kandke laiu riideid ega ehteid. Hoidke juuksed, rõivad ja kindad seadme liikuvatest osadest eemal.** Lotendavad riided, ehted ja pikad juuksed võivad sattuda seadme liikuvate osade vahele.
- ▶ **Kui elektrilise tööriista külge on võimalik paigaldada tolmuemaldus- ja kogumisseadiseid, veenduge, et need on tööriistaga ühendatud ja et neid kasutatakse nõuetekohaselt.** Tolmuemaldusseadise kasutamine võib vähendada tolmuust tingitud ohte.

Elektrilise tööriista kasutamine ja käsitsemine

- ▶ **Ärge koormake seadet üle. Kasutage antud töö tegemiseks sobivat elektrilist tööriista.** See töötab ettenähtud jõudluspiirides tõhusamalt ja ohutumalt.
- ▶ **Ärge kasutage elektrilist tööriista, mille lüliti on rikkis.** Elektriline tööriist, mida ei saa enam lüliti korralikult sisse ja välja lülitada, on ohtlik ning tuleb viia parandusse.
- ▶ **Enne mis tahes seadistustöid seadme kallal, tarvikute vahetamist ja seadme hoiulepanekut tõmmake pistik pistikupesast välja ja/või eemaldage seadmest aku.** See ettevaatusabinõu hoiab ära seadme tahtmatu käivitamise.
- ▶ **Kasutusvälisel ajal hoidke elektrilist tööriista lastele kättesaamatus kohas. Ärge lubage seadet kasutada isikutel, kes seda ei tunne või ei ole lugenud käesolevaid juhiseid.** Asjatundmatute isikute käes on elektrilised tööriistad ohtlikud.
- ▶ **Hooldage elektrilise tööriista korralikult. Kontrollige, kas seadme liikuvad detailid töötavad veatult ega kiilu kiini. Veenduge, et seadme detailid ei ole murdunud või kahjustatud määral, mis mõjutab seadme töökindlust. Laske kahjustatud osad enne seadme kasutamist parandada.** Ebapiisavalt hooldatud elektrilised tööriistad põhjustavad tööõnnetusi.
- ▶ **Hoidke löiketarvikud teravad ja puhtad.** Hästi hooldatud, teravate löikeservadega löiketarvikud kiiluvad harvemini kinni ja neid on lihtsam juhtida.
- ▶ **Kasutage elektrilist tööriista, tarvikuid, lisaseadmeid vastavalt käesolevatele juhistele. Arvestage seejuures töötingimuste ja teostatava töö iseloomuga.** Elektrilise tööriista kasutamine otstarbel, milleks see ei ole ette nähtud, võib põhjustada ohtlikke olukordi.

Hooldus

- ▶ **Laske elektrilist tööriista parandada ainult kvalifitseeritud spetsialistidel, kes kasutavad originaalvaruosi.** Nii on tagatud elektrilise tööriista ohutuse säilimine.

2.2 Ohutusnõuded puurvasaratega töötamisel

- ▶ **Kandke kuulmiskaitsevahendeid.** Müra võib kahjustada kuulmist.
- ▶ **Kasutage tarnekomplekti kuuluvaid lisakäepidemeid.** Kontrolli kaotus seadme üle võib põhjustada vigastusi.
- ▶ **Kui teete töid, mille puhul võib tarvik tabada varjatud elektrijuhtmeid või omaenda toitejuhet, hoidke seadet üksnes käepidemete isoleeritud pindadest.** Kokkupuude pingestatud elektrijuhtmega võib seada pinge alla ka seadme metalldetailid ja põhjustada elektrilöögi.



2.3 Täiendavad ohutusnõuded

Inimeste turvalisus

- ▶ Kasutage seadet ainult siis, kui selle tehniline seisukord on veatu.
- ▶ Ärge kunagi muutke ega modifitseerige seadet.
- ▶ Läbistavate tööde korral turvake töödeldava koha taha jääv ala. Murduvad osad võivad välja ja/või alla kukkuda ning teisi inimesi vigastada.
- ▶ Veenduge, et lisakäepide on korrektselt paigaldatud ja nõuetekohaselt kinnitatud. Hoidke seadet ettenähtud käepidemetest mõlema käega. Käepidemed peavad olema kuivad, puhtad ja vabad õlist ning rasvast.
- ▶ Tehke tööpause ja liigutage sõrmi, et parandada nende verevarustust. Pikemaajaliste tööde korral võib vibratsioon tekitada probleeme sõrmede, käte ja käeliigete veresoontes ja närvisüsteemis.
- ▶ Seade ei ole mõeldud füüsiliselt nõrkadele, väljaõppeta inimestele.
- ▶ Hoidke seadet lastele kättesaamatus kohas.
- ▶ Enne töö algust tehke kindlaks töötamisel tekkiva tolmu ohuklass. Kasutage ametliku kaitseklassiga ehitustolmuimejat, mis vastab kohapeal kehtivatele tolmukaitse nõuetele.
- ▶ Võimaluse korral kasutage tolmu kogurit ja mobiilset tolmuimejat. Pliisisaldusega värvide, teatavat liiki puidu, kvartsisaldusega betooni/müüritise/kivi, mineraalide ja metalli tolmu võib kahjustada tervist.
- ▶ Tagage töökohal hea ventilatsioon ja vajaduse korral kandke tekkiva tolmu filtreerimiseks sobivat hingamisteede kaitsemaski. Kokkupuude tolmu või tolmu sissehingamine võib põhjustada kasutajal või läheduses viibvatel isikutel allergilist reaktsiooni ja/või hingamisteede haigusi. Teatav tolm, nt tamme- või pöögitolm on kantserogeenne, seda eeskätt koosmõjus puidu töötlemise lisaainetega (kromaat, puidukaitsevahendid). Asbesti sisaldavate materjalide töötlemine on lubatud vaid asjaomase kvalifikatsiooniga isikutel.

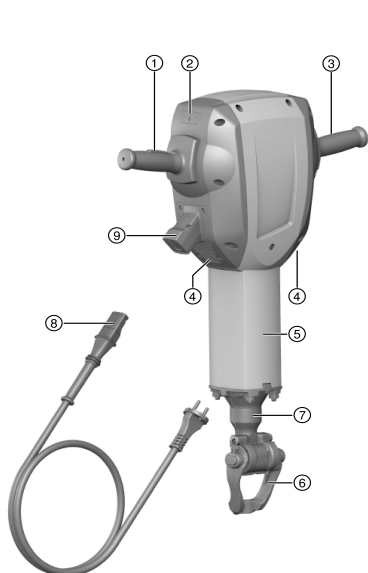
Elektriõhutus

- ▶ Enne töö algust kontrollige tööpiirkond üle ja veenduge, et seal ei ole varjatud elektrijuhtmeid, gaasi- ega veetorusid. Seadme välised metalliosad võivad elektrijuhtme vigastamise korral tekitada elektrilöögi.
- ▶ Kontrollige regulaarselt seadme toitejuhet. Kui see on kahjustatud, laske see elektrikul välja vahetada. Kui elektritööriista toitejuhe on kahjustatud, tuleb see asendada spetsiaalselt ette valmistatud ja heakskiidetud toitejuhtmega, mis on saadaval müügiesindustes. Kontrollige regulaarselt pikendusjuhtmeid, kahjustuste korral vahetage need välja. Ärge puudutage toite- või pikendusjuhet, mis on töö ajal kahjustada saanud. Tõmmake seadme toitepistik pistikupesast välja. Kahjustatud toite- ja pikendusjuhtmed võivad tekitada elektrilöögi.
- ▶ Juhul kui kasutate seadet tihti elektrit juhtivate materjalide töötlemiseks, laske seade **Hilti** hooldekeskuses korrapäraselt üle vaadata. Seadme pinnale kinnitunud tolm või niiskus võib ebasoodsatel tingimustel tekitada elektrilöögi, seda just hea elektrijuhtivusega materjalide puhul.
- ▶ Voolukatkestuse korral lülitage seade välja ja eemaldage vooluvõrgust. Nii hoiate vooluvarustuse taastumisel ära seadme soovimatu käivitumise.



3 Kirjeldus

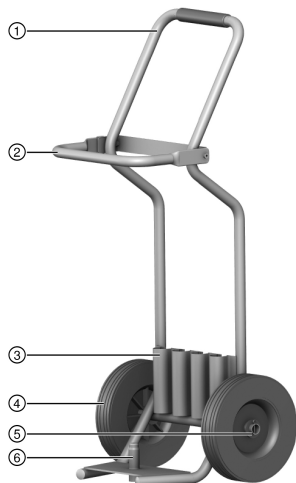
3.1 Toote ülevaade 1



- ① Toitelüliti
- ② Hooldusnäit
- ③ Käepide
- ④ Ventilatsioonivad
- ⑤ Juhttoru
- ⑥ Tarvikukinnitus/sulgurkaar
- ⑦ Padrun
- ⑧ Kodeeritud lahutatava pistikühendusega võrgujuhe
- ⑨ Elektrilise tööriista liides



3.2 Teisaldamiskäru osad 2



- ① Käepide
- ② Lukustuskaar
- ③ Hoidik tarvikule (meisel)
- ④ Rattad
- ⑤ Ratta kinnitus (seib, splint)
- ⑥ Seadme kinnitamise torn

3.3 Kasutusotstarve

Kirjeldatud toode on käsitsi juhitud 28 mm kuuskantpadruniga piikvasar. See on ette nähtud meiseldustöödeks betooni, müüritise ja asfaldi puhul. Muud rakendusvõimalused on pinnasetihendus- ja kaevetööd.

- ▶ Seadet võib kasutada vaid siis, kui vooluvõrgu pinge ja sagedus ühtib seadme tüübisildil märgitud vörgupinge ja sagedusega.

3.4 Võimalik väärkasutus

Toode ei ole ette nähtud tervisekahjulike materjalide töötlemiseks.

Toode ei ole ette nähtud niiskes keskkonnas töötamiseks.

3.5 Hooldusnäit

Piikvasaral on võimsuse indikaatorituli, mis on varustatud valgussignaaliga.

Seisund	Tähendus
Hooldusnäit põleb punase tulega.	Käes on hoolduse tähtaeg. Seade on kahjustada saanud.
Hooldusnäit vilgub punase tulega.	Ülekuumenemiskaitse Vooluvõrgu pinge on liiga kõrge.



Toimetage seade õigeaegselt Hilti hooldekeskusse. Nii on seade alati töövalmis.

3.6 Active Vibration Reduction (AVR)

Piikvasar on varustatud Active Vibration Reduction (AVR) süsteemiga, mis vähendab vibratsiooni olulisel määral.



3.7 Tarnekomplekt

Piikvasar, kasutusjuhend, määre.
Teisaldamiskäru pakutakse lisatarvikuna.

Teised süsteemi kuuluvad tooted, mida on lubatud tööriistaga kasutada, leiate **Hilti** müügiesindusest või veebisaidilt: www.hilti.group

4 Tehnilised andmed

Andmed nimipinge, nimivoolu, sageduse ja/või nimivõimsuse kohta leiate andmesildilt.

Generaatori või transformaatori kasutamisel peab selle väljundvõimsus olema vähemalt kaks korda suurem kui seadme tüübisildile märgitud nimisindvõimsus. Transformaatori või generaatori tööpinge peab olema kogu aeg vahemikus + 5% ja - 15% seadme nimipingest.

	TE 3000-AVR
Kaal EPTA-Procedure 01 kohaselt	29,9 kg
Löögenergia EPTA-Procedure kohaselt	68 J
Hoiutemperatuur	-20 °C ... 70 °C
Ümbritseva keskkonna temperatuur töötamise ajal	-17 °C ... 60 °C

4.1 Andmed müra ja vibratsiooni kohta vastavalt standardile EN 62841

Käesolevas juhendis märgitud helirõhu- ja vibratsioonitase on mõõdetud standarditult mõõtemeetodil ja seda saab kasutada elektriliste tööriistade omavaheliseks võrdlemiseks. See sobib ka vibratsiooni- ja mürataseme esialgseks hindamiseks.

Toodud näitajad iseloomustavad elektrilise tööriista põhilisi ettenähtud töid. Kui aga elektrilist tööriista kasutatakse muul otstarbel, teiste tarvikutega või kui tööriista on ebapiisavalt hooldatud, võivad näitajad käesolevas juhendis toodud näitajatest kõrvale kalduda. See võib vibratsiooni- ja mürataset töötamise koguperioodil tunduvalt suurendada.

Ekspositsiooni täpseks hindamiseks tuleb arvesse võtta ka aega, mil seade oli välja lülitatud või küll sisse lülitatud, kuid tegelikult tööle rakendamata. See võib vibratsiooni- ja mürataset töö koguperioodi lõikes tunduvalt vähendada.

Kasutaja kaitseks müra ja/või vibratsiooni eest võtke tarvitusele täiendavaid kaitsemeetmeid, näiteks: hooldage elektrilist tööriista ja tarvikuid korralikult, hoidke käed soojad, tagage sujuv töökorraldus.

Teave müra kohta

Helivõimsustase (L_{WA})	105 dB(A)
Helivõimsustaseme mõõtemääramatus (K_{WA})	3 dB(A)
Helirõhutase (L_{pA})	94 dB(A)
Helirõhutaseme mõõtemääramatus (K_{pA})	3 dB(A)

Teave vibratsiooni kohta

Meiseldamine ($a_{h, Cheq}$)	7 m/s ²
Mõõtemääramatus (K)	1,5 m/s ²

4.2 Pikendusjuhtmete kasutamine

HOIATUS

Kahjustatud toitejuhe on ohtlik! Ärge puudutage toitejuhett, kui see on töö käigus vigastada saanud. Tõmmake seadme pistik elektrikontaktist välja.

- ▶ Kontrollige regulaarselt seadme toitejuhett ja vigastuste tuvastamisel laske see elektriala asjatundjal välja vahetada.
- Kasutage ainult kasutusotstarbeks lubatud piisava ristlõikega pikendusjuhtmeid. Vastasel korral võib seadme jõudlus väheneda ja juhe üle kuumeneda.



- Kontrollige, ega pikendusjuhe ei ole kahjustatud.
- Vigastatud pikendusjuhe vahetage välja.
- Välistingimustes töötades kasutage ainult selleks ettenähtud ja vastava märgistusega pikendusjuhtmeid.

Soovituslikud juhtme minimaalsed ristlõiked ja maksimaalsed pikkused 120V võrgupinge korral

Toitejuhe	AWG 16	AWG 14	AWG 12	AWG 10
Juhtme ristlõige	1,31 mm ²	2,08 mm ²	3,31 mm ²	5,26 mm ²
Juhtme ristlõige	2,58 kcmil	4,11 kcmil	6,53 kcmil	10,4 kcmil
Juhtme pikkus	25 m	30 m	50 m	100 m
Juhtme pikkus	75 ft	100 ft	150 ft	250 ft

5 Käsitsemine

5.1 Töö ettevalmistamine

ETTEVAATUST

Vigastuste oht! Seadme soovimatu käivitumine.

- ▶ Enne seadme seadistamist ja tarvikute vahetamist tõmmake pistik pistikupesast välja.

Järgige kasutusjuhendis esitatud ja tootele märgitud ohutusnõudeid ja hoiatusi.

5.1.1 Tarviku paigaldamine

Iga kord enne kasutamist kontrollige tarvikut kahjustuste ja ebaühtlase kulumise suhtes ning vajaduse korral vahetage see välja. Kontrollige, et lukustuskaar on puhas ja kahjustusteta.

1. Määrige tarviku padrunisse kinnitatavat osa veidi.
2. Avage lukustuskaar.
3. Viige tarvik lõpuni tarvikukinnitusse.
4. Võruga tarvikute puhul viige sulgurkaar sulgemisasendisse A.
5. Soonega tarvikute puhul viige sulgurkaar sulgemisasendisse B.
 - ↳ Asetage meisel sellisesse asendisse, et soon on suunatud sulgemisasendi B poole.
6. Tõmmake tarvikust, et kontrollida, kas see on kindlalt kinni.
 - ↳ Võru ja soonega kombineeritud tarvikuid saab lukustada vastavalt oma soovile sulgemisasendisse A või B.

Kasutage üksnes **Hilti** originaalmääret. Mittesobiva määre kasutamine võib seadet kahjustada.

5.1.2 Tarviku eemaldamine

HOIATUS

Vigastuste oht! Tarvik kuumeneb kasutamisel ja võib olla teravate servadega.

- ▶ Tarvikut vahetades kandke kaitsekindaid!

OHT

Tulekahju oht! Kuuma tööriista kokkupuutel kergsüttivate materjalidega võib puhkeda tulekahju.

- ▶ Ärge asetage kuuma tööriista tuleohtlikele materjalidele.

HOIATUS

Vigastuste oht! Kuumadest pindadest tingitud põletusoht.

- ▶ Vältige kehalist kontakti juhttoruga, kuna see muutub kasutamisel kuumaks.

1. Avage lukustuskaar.
2. Tõmmake tarvik padrunist välja.



5.2 Ühendatav võrgujuhe

ETTEVAATUST

Vigastuste oht põhjustatud lekkevoolust määratud kontaktide puhul.

► Ühendage lahutatav elektripistikühendus seadmega vaid siis, kui see on puhas, kuiv ja pingevaba.

► Pistikühendusega võrgujuhtme külgeühendamine/lahtiühendamine

5.2.1 Pistikühendusega võrgujuhtme ühendamine

ETTEVAATUST

Vigastuste oht põhjustatud lekkevoolust määratud kontaktide puhul.

► Ühendage lahutatav elektripistikühendus seadmega vaid siis, kui see on puhas, kuiv ja pingevaba.

1. Viige kodeeritud lahutatav pistik lõpuni seadmesse, kuni lukustus kuuldavalt kohale fikseerub.
2. Ühendage võrgupistik pistikupessa.

5.2.2 Pistikühendusega võrgujuhtme lahtiühendamine elektrilise tööriista küljest

1. Tõmmake seadme võrgupistik pistikupesast välja.
2. Vajutage lukustusnupule ja tõmmake kodeeritud eemaldatav pistik välja.
3. Eemaldage toitejuhe seadmest.

6 Hooldus ja korrashoid

HOIATUS

Vigastuste oht paigaldatud aku korral !

► Enne mis tahes hooldus- ja korrashoiutöid eemaldage seadmest aku!

Seadme hooldamine

- Eemaldage kõvasti kinni olev mustus ettevaatlikult.
- Puhastage ventilatsiooniavad ettevaatlikult kuiva harjaga.
- Puhastage korpust kergelt niiske lapiga. Ärge kasutage silikooni sisaldavaid hooldusvahendeid, sest need võivad kahjustada seadme plastdetailaile.

Litiumioonakude hooldus

- Hoidke aku puhas ja vaba õlist ja rasvast.
- Puhastage korpust kergelt niiske lapiga. Ärge kasutage silikooni sisaldavaid hooldusvahendeid, sest need võivad kahjustada seadme plastdetailaile.
- Vältige vedeliku sissetungimist.

Korrashoid

- Kontrollige regulaarselt, kas kõik nähtavad osad on terved ja kas juhtelemendid toimivad veatult.
- Kahjustuste ja/või tõrgete korral ei tohi seadet kasutada. Laske tööriist kohe **Hilti** hooldekeskuses parandada.
- Pärast hooldus- ja korrashoiutöid paigaldage kõik kaitseseadised ja kontrollige nende toimivust.



Tööohutuse tagamiseks kasutage ainult originaalvaruosi ja -materjale. Teie tootega sobivaid ja meie poolt heakskiidetud varuosad, materjalid ja tarvikud leiata kauplusest **Hilti Store** või veebilehelt: www.hilti.group.

7 Transport ja ladustamine

- Ärge transportige elektrilist tööriista, millesse on paigaldatud tarvik.
- Enne elektrilise tööriista hoiulepanekut tõmmake toitepistik pistikupesast välja.
- Hoidke seadet kuivas kohas, mis on lastele ja kõrvalistele isikutele ligipääsmatu.
- Pärast pikemat transporti või ladustamist kontrollige tööriista vigastuste suhtes.



8 Abi tõrgete puhul

Kui peaks esinema tõrge, mida ei ole järgmises tabelis nimetatud või mida Te ei suuda ise kõrvaldada, pöörduge **Hilti** hooldekeskusse.

8.1 Veaoosing

Tõrge	Võimalik põhjus	Lahendus
Piikvasar ei käivitu.	Käimas on elektroonika initsialiseerimine (kuni ca 4 sekundit alates pistiku ühendamisest pistikupessa). Elektrooniline käivitustõkis on pärast voolukatkestust aktiveerunud.	▶ Lülitage seade välja ja uuesti sisse.
	Vooluvärustus katkenud.	▶ Ühendage vooluvõrku mõni teine elektriseade ja kontrollige, kas see töötab.
	Generaator on ooterežiimil (Sleep Mode).	▶ Kasutage generaatorit mõne teise tarvitiga (nt ehitusplatsil kasutatav lamp). Lülitage seade välja ja uuesti sisse.
	Pistikühendusega võrgujuhe ei ole korrektselt ühendatud.	▶ Ühendage pistikühendusega võrgujuhe elektrilise tööriista külge korrektselt.
Hooldusnäit põleb punase tulega.	Seade on kahjustatud või on käes hoolduse tähtaeg.	▶ Laske seadet parandada üksnes Hilti hooldekeskuses.
Hooldusnäit vilgub punase tulega.	Vooluvõrgu pinge on liiga kõrge	▶ Vahetage pistikupesa välja. Kontrollige võrku.
	Ülekuumenemiskaitse.	▶ Laske seadmel jahtuda. Puhastage ventilatsioonivad. Töötamine tühikäigul on veel võimalik.
Puudub löögifunktsioon.	Seade on liiga külm.	▶ Asetage piikvasar maha ja laske sellel töötada tühikäigul. Vajaduse korral korrake toimungut, kuni löögimehhanism töötab.
Piikvasar ei käivitu või lülitub töötamisele välja.	Pikendusjuhe on liiga pikk /või liiga väikese ristlõikega.	▶ Kasutage ettenähtud pikkuse ja/või piisava ristlõikega pikendusjuhet.

9 Utiliseerimine

Hilti seadmed on suures osas valmistatud taaskasutatavatest materjalidest. Taaskasutuse eelduseks on materjalide korralik sorteerimine. Paljudes riikides kogub **Hilti** kasutusressursi ammendanud seadmed kokku. Lisateavet saate **Hilti** müügiesindusest.



- ▶ Ärge visake kasutusressursi ammendanud elektrilisi tööriistu, elektroonikaseadmeid ja akusid olmejäätmete hulka!

10 RoHS (direktiiv ohtlike ainete kasutamise piirangute kohta)

Järgmiselt lingilt leiata ohtlike ainete tabeli: qr.hilti.com/r4783.

RoHS-tabeli juurde viiva lingi leiata käesoleva dokumendi lõpust QR-koodina.

11 Tootja garantii

- ▶ Kui Teil on küsimusi garantiitingimuste kohta, pöörduge **Hilti** müügiesindusse.



1 Informācija par dokumentāciju

1.1 Par šo dokumentāciju

- Pirms ekspluatācijas sākšanas obligāti izlasiet šo dokumentāciju. Tas ir priekšnoteikums darba drošībai un izstrādājuma lietošanai bez traucējumiem.
- Ievērojiet drošības norādījumus un brīdinājumus, kas atrodami šajā dokumentācijā un uz izstrādājuma.
- Vienmēr glabājiet lietošanas instrukciju izstrādājuma tuvumā un nododiet to kopā ar izstrādājumu, ja tas tiek nodots citām personām.

1.2 Apzīmējumu skaidrojums

1.2.1 Brīdinājumi

Brīdinājumi pievērš uzmanību bīstamībai, kas pastāv, strādājot ar izstrādājumu. Tiek lietoti šādi signālvārdi:

BĪSTAMI!

BĪSTAMI! !

- ▶ Pievērš uzmanību draudošām briesmām, kas var izraisīt smagus miesas bojājumus vai nāvi.

BRĪDINĀJUMS!

BRĪDINĀJUMS! !

- ▶ Pievērš uzmanību iespējamam apdraudējumam, kas var izraisīt smagas traumas vai pat nāvi.





IEVĒROT PIESARDZĪBU!

UZMANĪBU! !

- ▶ Norāda uz iespējami bīstamām situācijām, kas var izraisīt vieglas traumas vai materiālos zaudējumus.


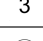


1.2.2 Dokumentācijā lietotie simboli

Šajā dokumentācijā tiek lietoti šādi simboli:

	Pirms lietošanas izlasiet instrukciju
	Norādījumi par lietošanu un cita noderīga informācija
	Rīcība ar otrreiz pārstrādājamiem materiāliem
	Niezmetiet elektroiekārtas un akumulatorus sadzīves atkritumos.

1.2.3 Attēlos lietotie simboli


Attēlos tiek lietoti šādi simboli:

	Šis skaitļi norāda uz attiecīgajiem attēliem, kas atrodami šīs instrukcijas sākumā.
	Numerācija attēlos atbilst veicamo darbību secībai un var atšķirties no darbību apraksta tekstā.
	Pozīciju numuri tiek lietoti attēlā Pārskats un norāda uz leģendas numuriem sadaļā Izstrādājuma pārskats .
	Šī simbola uzdevums ir pievērst īpašu uzmanību izstrādājuma lietošanas laikā.

1.3 Simboli uz izstrādājuma

1.3.1 Simboli uz izstrādājuma

Uz izstrādājuma var tikt lietoti šādi simboli:

	Aizsardzības klase II (divkārša izolācija)
	Aizliegts transportēt ar celtni





1.4 Izstrādājuma informācija

Hilti Izstrādājumi ir paredzēti profesionāliem lietotājiem, un to lietošanu, apkopi un remontu drīkst veikt tikai atbilstīgi pilnvarots un instruēts personāls. Personālam ir jābūt labi informētam par iespējamiem riskiem, kas var rasties darba laikā. Izstrādājums un tā papildaprīkojums var radīt bīstamas situācijas, ja to uztic neprofesionālam personālam vai nelieto atbilstīgi nosacījumiem.

Iekārtas tipa apzīmējums un sērijas numurs ir norādīti uz identifikācijas datu plāksnītes.

- Ierakstiet sērijas numuru zemāk redzamajā tabulā. Izstrādājuma dati jānorāda, vēršoties mūsu pārstāvnīcībā vai servisā.

Izstrādājuma dati → Lappuse 74

Izstrādājuma dati

Atskaldāmais āmurs	TE 3000-AVR
Paaudze	01
Sērijas Nr.	

1.5 Atbilstības deklarācija

Uzņemoties pilnu atbildību, mēs apliecinām, ka šeit aprakstītais izstrādājums atbilst šādām direktīvām un standartiem: Atbilstības deklarācijas attēls ir atrodams šīs dokumentācijas beigās.

Tehniskā dokumentācija ir saglabāta šeit:

Hilti Entwicklungsgesellschaft mbH | Zulassung Geräte | Hiltistraße 6 | 86916 Kaufering, DE

2 Drošība

2.1 Vispārīgi drošības norādījumi darbam ar elektroiekārtām

⚠ BRĪDINĀJUMS! Izlasiet visus drošības norādījumus un instrukcijas. Šeit izklāstīto drošības norādījumu un instrukciju neievērošana var izraisīt elektrošoku, ugunsgrēku un/vai nopietnas traumas.

Saglabājiet visus drošības norādījumus un instrukcijas turpmākai lietošanai.

Drošības norādījumos lietotais apzīmējums "elektroiekārta" attiecas uz iekārtām ar tīkla barošanu (ar barošanas kabeli) un iekārtām ar barošanu no akumulatora (bez kabeļa).

Drošība darba vietā

- **Uzturiet darba vietā tīrību un kārtību un nodrošiniet labu apgaismojumu.** Nekārtīgā darba vietā vai sliktā apgaismojumā var viegli notikt nelaimes gadījums.
- **Nestrādājiet ar elektroiekārtu sprādzienbīstamā vidē, kur atrodas uzliesmojoši šķidrumi, gāzes vai putekļi.** Darbības laikā elektroiekārtas mēdz dzirkstēlot, un tas var izraisīt viegli degošu putekļu vai tvaiku aizdegšanos.
- **Lietojot elektroiekārtu, neļaujiet nepiederošām personām un jo īpaši bērniem tuvoties darba vietai.** Citu personu klātbūtne var novērst uzmanību, un tā rezultātā jūs varat zaudēt kontroli pār iekārtu.

Elektrodrošība

- **Elektroiekārtas kontaktdakšai jāatbilst elektrotīkla kontaktligzdai. Kontaktdakšas konstrukciju nedrīkst nekādā veidā mainīt. Kopā ar elektroiekārtām, kurām ir aizsargzeme, nedrīkst lietot adapteru spraudņus.** Neizmainītas konstrukcijas kontaktdakša, kas atbilst kontaktligzdai, ļauj samazināt elektrošoka risku.
- **Darba laikā nepieskarieties saņemtiem priekšmetiem, piemēram, caurulēm, radiatoriem, plītim vai ledusskapjiem.** Pieskaroties saņemtiem virsmām, pieaug risks saņemt elektrisko triecienu.
- **Nelietojiet elektroiekārtu lietus laikā, neturiet to mitrumā.** Mitrumam iekļūstot elektroiekārtā, pieaug risks saņemt elektrisko triecienu.
- **Nenesiet un nepakariniet elektroiekārtu aiz barošanas kabeļa un neraujiet aiz kabeļa, ja vēlaties atvienot iekārtu no elektrotīkla kontaktligzdas. Sargājiet elektrokabeli no karstuma, eļļas, asām šķautnēm un iekārtas kustīgajām daļām.** Bojāts vai sapīņķerējies elektrokabelis var kļūt par cēloni elektrošokam.
- **Darbinot elektroiekārtu ārpus telpām, izmantojiet tās pievienošanai vienīgi tādus pagarinātāja-kabeļus, kas ir paredzēti lietošanai brīvā dabā.** Lietojot elektrokabeli, kas ir piemērots darbam ārpus telpām, samazinās elektrošoka risks.



- ▶ **Ja elektroiekārtas izmantošana slapjā vidē ir obligāti nepieciešama, lietojiet bojājumstrāvas aizsargslēdzi.** Bojājumstrāvas slēdža lietošana samazina elektrošoka risku.

Personiskā drošība

- ▶ **Strādājiet ar elektroiekārtu uzmanīgi, darba laikā saglabājiet paškontroli un rīkojieties saskaņā ar veselo saprātu.** Ar elektroiekārtu nedrīkst strādāt personas, kas ir nogurušas vai atrodas narkotiku, alkohola vai medikamentu ietekmē. Mirklis neuzmanības, strādājot ar elektroiekārtu, var novest pie nopietnām traumām.
- ▶ **Izmantojiet individuālos aizsardzības līdzekļus un darba laikā vienmēr nēsājiet aizsargbrilles.** Individuālo aizsardzības līdzekļu (putekļu aizsargmaskas, neslidošu apavu un aizsargķiveres vai ausu aizsargu) lietošana atbilstoši elektroiekārtas tipam un veicamā darba raksturam ļauj izvairīties no savainojumiem.
- ▶ **Nepieļaujiet iekārtas nekontrolētas ieslēgšanās iespēju.** Pirms pievienošanas elektrotīklam, akumulatora ievietošanas, elektroiekārtas satveršanas vai pārvietošanas pārliecinieties, ka tā ir **izslēgta**. Ja iekārtas pārvietošanas laikā pirksts atrodas uz slēdža vai ja ieslēgta iekārta tiek pievienota elektrotīklam, var notikt nelaimes gadījums.
- ▶ **Pirms elektroiekārtas ieslēgšanas jānoņem visi regulēšanas piederumi un uzgriežņu atslēgas.** Regulēšanas piederumi vai uzgriežņu atslēga, kas iekārtas ieslēgšanas brīdī atrodas iekārtā, var radīt traumas.
- ▶ **Izvairieties no nedabiskām pozām.** Darba laikā vienmēr saglabājiet līdzsvaru un nodrošinieties pret paslīdēšanu. Tas atvieglos elektroiekārtas vadību neparedzētās situācijās.
- ▶ **Izvēlieties darbam piemērotu apģērbu.** Darba laikā nenēsājiet brīvi plandošas drēbes un rotaslietas. **Netuviniet matus, apģērbu un aizsargcimdus iekārtas kustīgajām daļām.** Vaļiņas drēbes, rotaslietas un gari mati var iekļēties iekārtas kustīgajās daļās.
- ▶ **Ja elektroiekārtas konstrukcija ļauj pievienot putekļu nosūkšanas vai savākšanas ierīci, sekojiet, lai tā būtu pievienota un tiktu darbināta pareizi.** Putekļu nosūcēja lietošana samazina putekļu kaitīgo ietekmi.

Elektroiekārtas lietošana un apkope

- ▶ **Nepārslogojiet elektroiekārtu.** Katram darbam izvēlieties piemērotu iekārtu. Elektroiekārta darbosies labāk un drošāk pie nominālās slodzes.
- ▶ **Nelietojiet elektroiekārtu, ja ir bojāts tās slēdzis.** Elektroiekārta, ko nevar ieslēgt un izslēgt, ir bīstama un nekavējoties jānodod remontā.
- ▶ **Pirms iestatījumu veikšanas, aprikojuma daļu nomaiņas vai iekārtas novietošanas glabāšanā atvienojiet kontaktdakšu no elektrotīkla un/vai noņemiet akumulatoru.** Šādi jūs novērsīsiet elektroiekārtas nejaušas ieslēgšanās risku.
- ▶ **Elektroiekārtu, kas netiek darbināta, uzglabājiet piemērotā vietā.** Neļaujiet lietot iekārtu personām, kas nav iepazīlušas ar tās funkcijām un izlasījušas šo lietošanas instrukciju. Ja elektroiekārtu lieto nekompetentas personas, tas var apdraudēt cilvēku veselību.
- ▶ **Rūpīgi veiciet elektroiekārtu apkopi.** Pārbaudiet, vai kustīgās daļas darbojas bez traucējumiem un neķeras un vai kāda no daļām nav salauzta vai bojāta un tādējādi netraucē elektroiekārtas nevainojamu darbību. Raugieties, lai pirms iekārtas lietošanas tiktu nomainītas vai saremontētas bojātās daļas. Daudzi nelaimes gadījumi notiek tāpēc, ka elektroiekārtām nav nodrošināta pareiza apkope.
- ▶ **Griezējinstrumentiem vienmēr jābūt uzasinātiem un tīriem.** Rūpīgi kopti griezējinstrumenti ar asām šķautnēm retāk iestrēgst un ir vieglāk vadāmi.
- ▶ **Lietojiet elektroiekārtu, piederumus, maināmos instrumentus utt. saskaņā ar šiem norādījumiem.** Jāņem vērā arī konkrētie darba apstākļi un veicamās operācijas īpatnības. Elektroiekārtu lietošana citiem mērķiem, nekā to ir paredzējusi ražotājfirma, ir bīstama un var izraisīt neparedzamas sekas.

Serviss

- ▶ **Uzdodiet elektroiekārtas remontu veikt tikai kvalificētam personālam, kas izmanto vienīgi oriģinālās rezerves daļas.** Tikai tā ir iespējams saglabāt elektroiekārtas funkcionālo drošību.

2.2 Drošības noteikumi darbam ar perforatoriem

- ▶ **Lietojiet dzirdes aizsargapriekojumu.** Trokšņa iedarbība var radīt dzirdes zudumu.
- ▶ **Lietojiet kopā ar iekārtu piegādātos papildu rokturus.** Kontroles zudums var kļūt par cēloni traumām.
- ▶ **Ja pastāv iespēja, ka instruments var skart apslēptus elektriskos vadus vai pašas iekārtas barošanas kabeli, iekārta vienmēr jātur aiz izolētajām rokturu virsmām.** Saskaroties ar spriegumam pieslēgtiem vadiem, spriegums tiek novadīts uz iekārtas metāla daļām, radot elektrošoka risku.



2.3 Papildnorādījumi par drošību

Personīgā drošība

- ▶ Lietojiet iekārtu tikai tad, ja tā ir tehniski nevainojamā stāvoklī.
- ▶ Nekādā gadījumā nemēģiniet ietekmēt iekārtas funkcijas vai to pārveidot.
- ▶ Pirms laušanas vai urbšanas darbiem, kas šķērso celtnes daļas, atbilstoši jānodrošina attiecīgās celtnes daļas pretējā puse. Atlūzušās materiāla daļas var izkrist caur atveri un/vai nokrist un savainot cilvēkus.
- ▶ Pārliedzinieties, vai sānu rokturis ir piemontēts pareizi un kārtīgi nostiprināts. Vienmēr turiet iekārtu ar abām rokām aiz tam paredzētajiem rokturiem. Gādājiet, lai rokturi būtu sausi, tīri, nenotraipīti ar eļļu un smērvielām.
- ▶ Darba pārtraukumos veiciet pirkstu vingrinājumus, kas uzlabo asinsriti. Ilgstoša darba gadījumā vibrācija var radīt traucējumus pirkstu, roku vai plaukstas locītavu asinsvadu un nervu sistēmas funkcijās.
- ▶ Iekārta nav paredzēta, lai to patstāvīgi lietotu personas ar nepietiekamām fiziskajām vai garīgajām spējām.
- ▶ Raugieties, lai iekārta nebūtu pieejama bērniem.
- ▶ Pirms darba sākšanas noskaidrojiet darba laikā radušos putekļu bīstamības kategoriju. Lietojiet celtniecības putekļsūcēju ar oficiālas sertifikācijas ietvaros piešķirtu drošības klasifikāciju, kas atbilst vietējiem putekļu ietekmes ierobežošanas normatīviem.
- ▶ Ja iespējams, lietojiet putekļu nosūkšanas sistēmu un piemērotu mobilo putekļsūcēju. Putekļi, ko rada tādi materiāli kā, piemēram, svīnu saturoša krāsa, dažādi koknes veidi, betons / mūris / kvarcu saturoši akmeņi, minerāli un metāls, var būt kaitīgi veselībai.
- ▶ Nodrošiniet darba vietā labu ventilāciju un, ja nepieciešams, valkājiet elpceļu aizsargmasku, kas aizsargā pret attiecīgā veida putekļiem. Saskaņā ar šiem putekļiem vai to ieelpošana var izraisīt lietotāja vai citu tuvumā esošo personu alerģiskas reakcijas un/vai elpceļu saslimšanas. Noteikti putekļu veidi, piemēram, ozola un skābarža koknes putekļi, tiek uzskatīti par kancerogēniem – sevišķi kopā ar kokapstrādē izmantojamām vielām (hromātiem, koknes aizsarglīdzekļiem). Azbestu saturošus materiālus drīkst apstrādāt tikai kompetenti speciālisti.

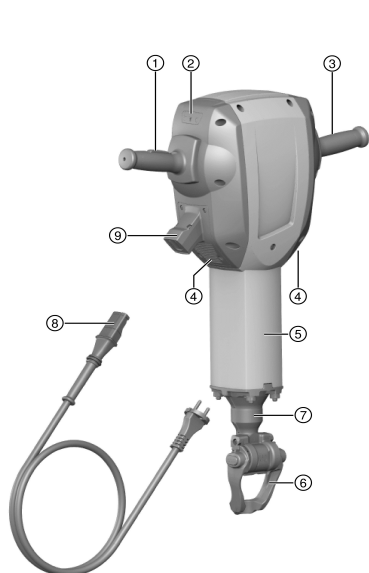
Elektrodrošība

- ▶ Pirms darba sākšanas pārbaudiet, vai darba zonā neatrodas neseģti elektrības vadi, gāzes vai ūdensapgādes caurules. Nejauši sabojājot zem sprieguma esošus vadus, iekārtas ārējās metāla daļas var izraisīt elektrošoku.
- ▶ Regulāri pārbaudiet iekārtas barošanas kabeli un nepieciešamības gadījumā nododiet to kompetentam speciālistam remonta vai nomaiņas veikšanai. Ja ir bojāts elektroinstrumenta barošanas kabelis, tas jānomaina pret speciāli aprīkotu un sertificētu kabeli, ko piedāvā klientu apkalpošanas organizācija. Regulāri pārbaudiet pagarinātājkabeļus un bojājumu gadījumā nomainiet tos. Ja darba laikā tiek bojāts barošanas vai pagarinātāja kabelis, nepieskarieties tam. Atvienojiet iekārtu no elektrotīkla. Bojāti barošanas kabeli un pagarinātāji slēpj elektriskā trieciena risku.
- ▶ Ja bieži tiek apstrādāti elektrību vadoši materiāli, ar tiem piesārņotās iekārtas regulāri jānodod pārbaudīšanai **Hilti** servisā. Uz iekārtas ārējās virsmas esošie putekļi, kas galvenokārt ir uzkrājušies no vadītspējīgiem materiāliem, vai mitrums nelabvēlīgos apstākļos var izraisīt elektrisku triecienu.
- ▶ Ja tiek pārtraukta sprieguma padeve, instruments jāizslēdz un jāatvieno no elektrotīkla. Tas palīdzēs izvairīties no iekārtas nekontrolētas ieslēgšanās, kad tiks atjaunota sprieguma padeve.



3 Apraksts

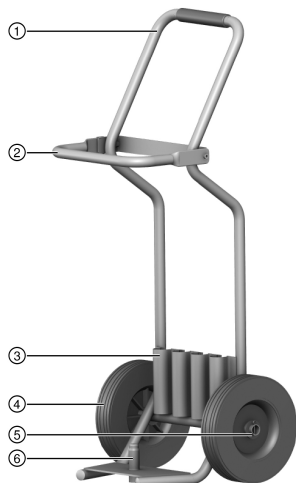
3.1 Izstrādājuma pārskats



- ① Ieslēgšanas un izslēgšanas slēdzis
- ② Servisa indikators
- ③ Rokturis
- ④ Ventilācijas atveres
- ⑤ Vadotnes caurule
- ⑥ Instrumenta fiksācija / aizslēga stīpa
- ⑦ Instrumenta patrona
- ⑧ Barošanas kabelis ar kodētu, noņemamu spraudsavienojumu
- ⑨ Pievienošana pie elektroiekārtas



3.2 Transportēšanas ratiņu daļas 2



- ① Rokturis
- ② Bloķēšanas stīpa
- ③ Patērējamā materiāla turētājs (kalts)
- ④ Riteņi
- ⑤ Riteņa fiksācija (paplāksne, šķelttapa)
- ⑥ Iekārtas nostiprināšanas rēdze

3.3 Nosacījumiem atbilstīga lietošana

Aprakstītais izstrādājums ir manuāli vadāms atskaldāmais āmurs ar 28 mm sešstūra instrumenta patronu. Tas ir paredzēts kalšanas darbiem betonā, mūrī un asfaltā. To var izmantot arī blietēšanas un rakšanas darbos.

- ▶ Iekārtas darbināšanai drīkst lietot tikai uz identifikācijas datu plāksnītes norādīto barošanas spriegumu un frekvenci.

3.4 Varbūtējā nepareizā lietošana

Šis izstrādājums nav paredzēts veselībai bīstamu materiālu apstrādāšanai.

Šis izstrādājums nav paredzēts darbam slapjā vidē.

3.5 Servisa indikācija

Atskaldāmajam āmuram ir servisa indikācija ar gaismas signālu.

Stass	Nozīme
Servisa indikācija deg sarkanā krāsā.	Pienācis laiks servisa darbiem. Iekārtas bojājums.
Servisa indikācija mirgo sarkanā krāsā.	Termiskā aizsardzība Elektroapgādē pārāk augsts spriegums.



Savlaicīgi nododiet izstrādājumu **Hilti** servisā. Tad tas vienmēr būs gatavs darbam.

3.6 Active Vibration Reduction (AVR)

Atskaldāmais āmurs ir aprīkots ar sistēmu Active Vibration Reduction (AVR), kas ievērojami samazina vibrāciju.



3.7 Piegādes komplektācija

Atskaldāmais āmurs, lietošanas instrukcija, smērviela.
Transportēšanas ratīni tiek piedāvāti opcijas veidā.



Citus šim izstrādājumam izmantojamus sistēmas produktus meklējiet **Hilti** servisa centrā vai tiešrajietnē www.hilti.group

4 Tehniskie parametri



Nominālā sprieguma, nominālās strāvas, frekvences un/vai nominālās ieejas jaudas parametri ir norādīti attiecīgajai valstij paredzētajā identifikācijas datu plāksnītē.

Ja šīs iekārtas darbināšanai izmanto ģeneratoru vai transformatoru, tā izejas jaudai jābūt vismaz divreiz lielākai par nominālo ieejas jaudu, kas norādīta uz iekārtas identifikācijas datu plāksnītes. Transformatora vai ģeneratora darba spriegumam vienmēr jābūt iekārtas nominālā sprieguma diapazonā ar pielaidi +5 % vai -15 %.

	TE 3000-AVR
Svars saskaņā ar EPTA procedūru 01	29,9 kg
Atsevišķa trieciena enerģija atbilstīgi EPTA procedūrai	68 J
Uzglabāšanas temperatūra	-20 °C ... 70 °C
Apkārtējā temperatūra darbības laikā	-17 °C ... 60 °C

4.1 Informācija par troksni un vibrāciju saskaņā ar EN 62841

Šajās instrukcijās norādītie lielumi, kas raksturo skaņas spiedienu un vibrāciju, ir noteikti ar standartizētās mērījumu metodes palīdzību, un tos var izmantot elektroiekārtu savstarpējai salīdzināšanai. Tos var izmantot arī trokšņa un vibrācijas iedarbības pagaidu novērtējumam.

Norādītie parametri attiecas uz elektroiekārtas galvenajiem lietošanas veidiem. Taču, ja elektroiekārta tiek izmantota citos nolūkos, ar citiem maināmajiem instrumentiem vai netiek nodrošināta pietiekama tās apkope, parametri var atšķirties no norādītajiem. Tas var ievērojami palielināt trokšņa un vibrācijas iedarbību visa darba laikā.

Lai precīzi novērtētu iedarbību, jāņem vērā arī laiks, cik ilgi iekārta ir izslēgta vai ir ieslēgta, taču faktiski netiek darbināta. Tas var būtiski samazināt iedarbību kopējā darba laikā.

Jāparedz papildu drošības pasākumi, lai aizsargātu iekārtas lietotāju pret trokšņa un/vai vibrācijas iedarbību, piemēram, elektroiekārtas un apkope, roku turēšana siltumā, darba procesu organizācija.

Informācija par troksni

Skaņas jaudas līmenis (L_{WA})	105 dB(A)
Skaņas jaudas līmeņa pielaide (K_{WA})	3 dB(A)
Skaņas spiediena līmenis (L_{pA})	94 dB(A)
Skaņas spiediena līmeņa pielaide (K_{pA})	3 dB(A)

Informācija par vibrāciju

Kalšana ($a_{h, Cheq}$)	7 m/s ²
Iespējamā kļūda (K)	1,5 m/s ²

4.2 Pagarinātājkaabeļa izmantošana



BRĪDINĀJUMS!

Bojāta kabeļa izraisīts apdraudējums! Ja darba laikā tiek bojāts barošanas kabelis vai pagarinātājkaabeļis, neaizietiet to. Nekavējoties atvienojiet kontaktdakšu no kontaktligzdas.

- ▶ Regulāri pārbaudiet iekārtas barošanas kabeli un nepieciešamības gadījumā nododiet to kompetentam speciālistam remonta vai nomaiņas veikšanai.



- Lietojiet tikai konkrētajai darbības jomai atbilstīgus elektriskos pagarinātājkabeļus ar pietiekamu vada šķērssgriezumu. Pretējā gadījumā ir iespējami iekārtas jaudas zudumi un kabeļa pārkaršana.
- Regulāri pārbaudiet, vai pagarinātājkabeļi nav bojāti.
- Nomainiet bojāto pagarinātājkabeļi.
- Strādājot ārā, izmantojiet tikai atbilstošus un attiecīgi marķētus pagarinātājkabeļus.

leteicamais kabeļa minimālais šķērssgriezums un garums tīkla spriegumam 120 V

Kabeļis	AWG 16	AWG 14	AWG 12	AWG 10
Vada šķērssgriezums	1,31 mm ²	2,08 mm ²	3,31 mm ²	5,26 mm ²
Vada šķērssgriezums	2,58 kcmil	4,11 kcmil	6,53 kcmil	10,4 kcmil
Kabeļa garums	25 m	30 m	50 m	100 m
Kabeļa garums	75 ft	100 ft	150 ft	250 ft

5 Lietošana

5.1 Sagatavošanās darbam

IEVĒROT PIESARDZĪBU!

Traumu risks! Izstrādājuma nekontrolēta iedarbošanās.

- ▶ Atvienojiet barošanas kabeļi, pirms veikt iekārtas iestatīšanu vai aprīkojuma maiņu.

Ievērojiet drošības norādījumus un brīdinājumus, kas atrodami šajā dokumentācijā un uz izstrādājuma.

5.1.1 Maināmā instrumenta ievietošana

Pirms katras lietošanas pārbaudiet, vai instruments nav bojāts un nevienmērīgi nodilis, un, ja nepieciešams, apmainiet to. Pārbaudiet, vai aizslēga stīpa nav netīra vai nodilusi.

1. Viegli ieziēdiet maināma instrumenta galu ar smērvielu.
2. Atveriet aizslēga stīpu.
3. Līdz galam iespraudiet maināmo darba instrumentu instrumenta turētājā.
4. Lietojot instrumentu ar apcīlni, novietojiet aizslēga stīpu aizvēršanas pozīcijā A.
5. Lietojot instrumentu ar rievu, novietojiet aizslēga stīpu aizvēršanas pozīcijā B.
 - ↳ Novietojiet kalnu tā, lai rievā būtu pavērsta pret aizvēršanas pozīciju B.
6. Pavelkot instrumentu, jāpārbauda, vai tas ir nofiksējies kārtīgi.
 - ↳ Kombinētos instrumentus ar kāta apcīlni un rievu pēc izvēles var nofiksēt bloķēšanas pozīcijā A un B.

Lietojiet tikai oriģinālās **Hilti** smērvielas. Nepiemērotas smērvielas lietošana var izraisīt izstrādājuma bojājumus.

5.1.2 Instrumenta izņemšana

BRĪDINĀJUMS!

Traumu risks! Lietošanas laikā instruments sakarst, turklāt tam var būt asas šķautnes.

- ▶ Instrumenta nomainīšanas laikā valkājiet aizsargcimdus.

BĪSTAMI!

Aizdegšanās risks! Bīstamība, ko rada karsta instrumenta saskaršanās ar viegli uzliesmojošiem materiāliem

- ▶ Nenovietojiet karstus instrumentus uz viegli uzliesmojošiem materiāliem.

BRĪDINĀJUMS!

Traumu risks! Apdegumu risks, ko rada karstas virsmas.

- ▶ Izvairieties no pieskaršanās vadotnes caurulei, jo tā iekārtas darbības laikā kļūst karsta.

1. Atveriet aizslēga stīpu.
2. Izvelciet maināmo instrumentu no patronas.



5.2 Barošanas kabelis ar spraudni

IEVĒROT PIESARDZĪBU!

Traumu risks netīru kontaktu radītās noplūdes strāvas iedarbībā.

- ▶ Veiciet elektrisko spraudkontakta savienošanu ar elektroiekārtu tikai tad, kad kontakti ir tīri, sausi un nav zem sprieguma.

- ▶ Barošanas kabeļa pievienošana / atvienošana

5.2.1 Barošanas kabeļa pievienošana

IEVĒROT PIESARDZĪBU!

Traumu risks netīru kontaktu radītās noplūdes strāvas iedarbībā.

- ▶ Veiciet elektrisko spraudkontakta savienošanu ar elektroiekārtu tikai tad, kad kontakti ir tīri, sausi un nav zem sprieguma.

1. Līdz galam iespraudiet kodēto elektriskā savienojuma spraudni iekārtas ligzdā, līdz tas sadzirdami noklikšķinās.
2. Ievietojiet kontaktdakšu kontaktligzdā.

5.2.2 Barošanas kabeļa atvienošana no elektroiekārtas

1. Atvienojiet iekārtu no elektrotīkla.
2. Nospiediet bloķēšanas taustiņu un izvelciet kodēto elektriskā savienojuma spraudni no ligzdas.
3. Izvelciet barošanas kabeli no iekārtas.

6 Apkope un uzturēšana

BRĪDINĀJUMS!

Traumu risks ievietota akumulatora gadījumā !

- ▶ Pirms jebkādiem apkopes un tehniskā stāvokļa uzturēšanas darbiem vienmēr izņemiet akumulatoru!

Iekārtas apkope

- Uzmanīgi notīriet pielīpušos netīrumus.
- Uzmanīgi iztīriet ventilācijas atveres ar sausu birstīti.
- Korpusa tīrīšanai jālieto tikai neredzami samitrināta drāniņa. Nedrīkst lietot silikonu saturošus kopšanas līdzekļus, kas var sabojāt plastmasas daļas.

Litija jonu akumulatoru apkope

- Raugieties, lai akumulators ir tīrs un nebūtu savārtīts ar eļļu un smērvielām.
- Bojājumu un/vai funkciju traucējumu gadījumā izstrādājumu nedrīkst lietot. Tas nekavējoties jānodod **Hilti**, lai veiktu remontu.
- Nepieļaujiet mitruma iekļūšanu.

Uzturēšana

- Regulāri pārbaudiet visas redzamās daļas, lai pārliecinātos, ka tās nav bojātas un funkcionē nevainojami.
- Bojājumu un/vai funkciju traucējumu gadījumā izstrādājumu nedrīkst lietot. Tas nekavējoties jānodod **Hilti**, lai veiktu remontu.
- Pēc apkopes un remonta darbiem visas aizsargierīces jāpiemontē vietā un jāpārbauda, vai tās darbojas.



Lai iekārtas lietošana būtu droša, izmantojiet tikai oriģinālās rezerves daļas un patēriņa materiālus. Rezerves daļas un patēriņa materiālus, kuru lietošanu kopā ar šo iekārtu mēs akceptējam, var atrast **Hilti Store** vai tīmekļvietnē. www.hilti.group.

7 Transportēšana un uzglabāšana

- Netransportējiet elektroiekārtu ar tajā ievietotu darba instrumentu.
- Glabāšanas laikā elektroiekārtas barošanas kabeļa kontaktdakšai vienmēr jābūt atvienotai.
- Glabājiet iekārtu sausā vietā, kas nav pieejama bērniem.
- Pirms atsākt iekārtas lietošanu pēc ilgās transportēšanas vai uzglabāšanas, pārbaudiet, vai tā nav bojāta.



8 Traucējumu novēršana

Ja iekārtas darbībā ir radušies traucējumi, kas nav uzskaitīti šajā tabulā vai ko jums neizdodas novērst saviem spēkiem, lūdzu, meklējiet palīdzību mūsu **Hilti** servisā.

8.1 Traucējumu diagnostika

Traucējums	Iespējamais iemesls	Risinājums
Atskaldāmo āmuru nevar iedarbināt.	Notiek elektronikas inicializācija (ne ilgāk kā 4 sekundes pēc spraudņa pievienošanas). Pēc sprieguma padeves pārtraukuma ir aktivēta elektroniskā ieslēgšanās bloķēšana.	▶ Izslēdziet un vēlreiz ieslēdziet iekārtu.
	Pārtraukta tīkla elektropadeve.	▶ Pievienojiet citu elektroiekārtu un pārbaudiet, vai tā darbojas.
	Ģenerators atrodas gaidīšanas režīmā.	▶ Radiet ģenerators noslodzi ar cita patērētāja (piemēram, būvniecības lampas) palīdzību. Pēc tam izslēdziet un vēlreiz ieslēdziet iekārtu.
	Nav kārtīgi pievienots barošanas kabeļa spraudnis.	▶ Kārtīgi pievienojiet barošanas kabeli elektroiekārtai.
Servisa indikācija deg sarkanā krāsā.	Radies iekārtas bojājums vai pienācis laiks servisa darbiem.	▶ Uzticiet izstrādājuma remontu tikai Hilti servisa darbiniekiem.
Servisa indikācija mirgo sarkanā krāsā.	Elektroapgādē pārāk augsts spriegums	▶ Apmainiet kontaktligzdu. Pārbaudiet tīklu.
	Termiskā aizsardzība.	▶ Vispirms ļaujiet iekārtai atdzist. Izīriiet ventilācijas atveres. Darbība tukšgaitā nav iespējama.
Nav triecienu funkcijas.	Iekārta ir pārāk auksta.	▶ Novietojiet atskaldāmo āmuru uz virsmas un neilgu laiku padarbinot to tukšgaitā. Ja nepieciešams atkārtojiet šo procesu, līdz triecienu mehānisms iedarbojas.
Atskaldāmais āmurs neiedarbojas vai darba laikā izslēdzas.	Pagarinātājkabelis ir pārāk garš un / vai ar nepietiekamu šķērsgrīzumumu.	▶ Jālieto pieļaujamā garuma pagarinātājkabelis ar pietiekami lielu šķērsgrīzumumu.

9 Nokalpojušo iekārtu utilizācija

Hilti iekārtu izgatavošanā tiek izmantoti galvenokārt otrreiz pārstrādājami materiāli. Priekšnosacījums otrreizējai pārstrādei ir atbilstoša materiālu šķirošana. Daudzās valstīs **Hilti** pieņem nolietotās iekārtas otrreizējai pārstrādei. Lai saņemtu vairāk informācijas, vērsieties **Hilti** servisā vai pie sava pārdošanas konsultanta.



- ▶ Neizmetiet elektroiekārtas, elektroniskas ierīces un akumulatorus sadzīves atkritumos!

10 RoHS (direktīva par bīstamo vielu izmantošanas ierobežošanu)

Lai apskatītu bīstamo vielu tabulu, izmantojiet šādu saiti: qr.hilti.com/r4783.
Saiti uz RoHS tabulu jūs QR koda veidā atradīsiet šīs dokumentācijas beigās.

11 Ražotāja garantija

- ▶ Ar jautājumiem par garantijas nosacījumiem, lūdzu, vērsieties pie vietējā **Hilti** partnera.



1 Dokumentų duomenys

1.1 Apie šią instrukciją

- Prieš pradėdami eksploatuoti, perskaitykite šią instrukciją. Tai yra saugaus darbo ir patikimo naudojimo sąlyga.
- Laikykitės šioje instrukcijoje ir ant prietaiso pateiktų saugos nurodymų ir įspėjimų.
- Šią naudojimo instrukciją visada laikykite kartu su prietaisu, prietaisą kitiems asmenims perduokite tik kartu su šia instrukcija.

1.2 Ženklų paaiškinimas

1.2.1 Įspėjantieji nurodymai

Įspėjantieji nurodymai įspėja apie pavojus, gresiančius eksploatuojant prietaisą. Naudojami tokie signaliniai žodžiai:

PAVOJUS

PAVOJUS !

- ▶ Šis žodis vartojamas norint įspėti apie tiesiogiai gresiantį pavojų, kurio pasekmės yra sunkūs kūno sužalojimai arba žūtis.

ĮSPĖJIMAS

ĮSPĖJIMAS !

- ▶ Šis žodis vartojamas norint įspėti apie galimai gresiantį pavojų, kurio pasekmės gali būti sunkūs kūno sužalojimai arba žūtis.





ATSARGIAI

ATSARGIAI !

- ▶ Šis žodis vartojamas potencialiai pavojingai situacijai žymėti, kai yra lengvo kūno sužalojimo arba materialinių nuostolių grėsmė.


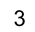


1.2.2 Instrukcijoje naudojami simboliai

Šioje instrukcijoje naudojami tokie simboliai:

	Prieš naudojant, perskaityti instrukciją
	Naudojimo nurodymai ir kita naudinga informacija
	Rodo, kad juo paženklintą medžiagą galima perdirbti
	Elektrinių prietaisų ir akumuliatorių nemesti į buitinius šiukšlynus

1.2.3 Iliustracijose naudojami simboliai

Iliustracijose naudojami šie simboliai:

	Šis skaitmenys nurodo atitinkamą iliustraciją šios instrukcijos pradžioje
	Numeravimas nurodo darbinių veiksmų eiliškumą paveikslėlyje ir gali skirtis nuo tekste pateikto darbinių veiksmų numeravimo
	Pozicijų numeriai naudojami paveikslėlyje Apžvalga – jie nurodo skyrelyje Prietaiso vaizdas esančių paaiškinimų numerius
	Šiuo ženklu siekiama atkreipti ypatingą dėmesį į naudojamą šiuo prietaisu.

1.3 Simboliai ant prietaiso

1.3.1 Simboliai ant prietaiso

Ant prietaiso gali būti naudojami tokie simboliai:



	II apsaugos klasė (su dviguba izoliacija)
	Draudžiama transportuoti kranu
	Belaidis duomenų perdavimas

1.4 Informacija apie prietaisą

Hilti gaminiai yra skirti profesionalams, todėl juos naudoti, techniškai prižiūrėti ir remontuoti leidžiama tik įgaliotam instruktuiotam personalui. Šis personalas turi būti supažindintas su visais galimais pavojais. Neapmokyto personalo, netinkamai arba ne pagal paskirtį naudojamas prietaisais ir jo reikmenys gali kelti pavojų.

Tipas ir serijos numeris yra nurodyti firminėje duomenų lentelėje.

- Serijos numerį perkeltkite į toliau nurodytą lentelę. Kreipdamiesi su prietaisu susijusiais klausimais į mūsų atstovybę ar techninės priežiūros centrą, visada nurodykite šiuos prietaiso duomenis.

Prietaiso duomenys → psl. 84

Prietaiso duomenys

Kirstuvus	TE 3000-AVR
Karta	01
Serijos Nr.	

1.5 Atitikties deklaracija

Prisiimdami visą atsakomybę pareiškiame, kad čia yra aprašytas gaminy s atitinka galiojančias direktyvas ir normas. Atitikties deklaracijos kopiją rasite šios instrukcijos gale.

Techninė dokumentacija saugoma čia:

Hilti Entwicklungsgesellschaft mbH | Zulassung Geräte | Hiltistraße 6 | 86916 Kaufering, DE

2 Sauga

2.1 Bendrieji saugos nurodymai elektriniams įrankiams

⚠ IŠPĖJIMAS Perskaitykite visus saugos nurodymus ir instrukcijas. Šių saugos nurodymų ir instrukcijų nesilaikymas gali tapti elektros smūgio, gaisro ir / arba sunkių sužalojimų priežastimi.

Išsaugokite visus saugos nurodymus ir instrukcijas, kad galėtumėte į juos pažvelgti ateityje.

Saugos nurodymuose vartojama sąvoka „elektrinis įrankis“ apibrėžiami iš elektros tinklo maitinami elektriniai įrankiai (tintintys maitinimo kabelį) ir iš akumuliatorių baterijos maitinami elektriniai įrankiai (be maitinimo kabelio).

Sauga darbo vietoje

- **Pasirūpinkite, kad darbo vieta visada būtų švari ir gerai apšviesta.** Netvarkinga ar blogai apšviesta darbo vieta gali tapti nelaimingų atsitikimų priežastimi.
- **Nenaudokite šio elektrinio įrankio sprogyje aplinkoje, kurioje yra degių skysčių, dujų arba dulkių.** Veikiantys elektriniai įrankiai kibirkščiuoja, ir kibirkštys gali uždegti dulkes arba susikaupusius garus.
- **Dirbdami su elektriniu įrankiu, neleiskite darbo zonoje būti vaikams ir pašaliniam asmenims.** Atitraukę dėmesį nuo darbo, galite nebesuvaldyti prietaiso.

Apsauga nuo elektros

- **Prietaiso maitinimo kabelio kištukas turi atitikti elektros lizdo tipą.** Kištuko joku būdu negalima keisti. **Nenaudokite tarpinių kištukų kartu su elektriniais įrankiais, turinčiais apsauginį įžeminimą.** Nepakeisti kištukai ir tinkami elektros lizdai sumažina elektros smūgio riziką.
- **Venkite kūno kontakto su įžemintais paviršiais, pvz., vamzdžiais, šildytuvais, viryklėmis ir šaldytuvais.** Kai žmogaus kūnas yra įžemintas, padidėja elektros smūgio tikimybė.
- **Saugokite elektrinius įrankius nuo lietaus ir drėgmės.** Į elektrinį įrankį patekus vandens, padidėja elektros smūgio rizika.
- **Nenaudokite maitinimo kabelio ne pagal paskirtį, t. y. neneškite elektrinio įrankio paėmę už kabelio, nekabinkite jo ant kabelio, netraukite už kabelio, norėdami ištraukti kištuką iš elektros lizdo. Maitinimo kabelį saugokite nuo karščio, alyvos / tepalo, aštrių briaunų ar judančių prietaiso dalių.** Pažeisti arba susipynę kabeliai didina elektros smūgio riziką.



- ▶ Jei su elektriniu įrankiu dirbate lauke, naudokite tik tokius ilginimo kabelius, kurie tinka lauko darbams. Naudojant lauko darbams pritaikytus ilginimo kabelius, sumažėja elektros smūgio rizika.
- ▶ Jeigu elektrinio įrankio naudojimo drėgnoje aplinkoje negalima išvengti, į elektros tinklą jįjunkite per apsauginę nuotėkio relę. Apsauginė nuotėkio relė mažina elektros smūgio riziką.

Žmonių sauga

- ▶ Dirbdami su elektriniu įrankiu, būkite atidūs, sutelkite dėmesį į darbą ir vadovaukitės sveika nuovoka. Elektrinio įrankio nenaudokite, jeigu esate pavargę arba apsvaigę nuo narkotinių medžiagų, alkoholio ar vaistų. Neatidumo akimirka dirbant su elektriniu įrankiu gali tapti rimtu sužalojimų priežastimi.
- ▶ Naudokite asmenines apsaugos priemones ir visuomet užsidėkite apsauginius akinius. Naudojant asmenines apsaugos priemones, pvz., respiratorių, neslystančius apsauginius batus, apsauginį šalną, ausines ir kt., priklausomai nuo elektrinio įrankio tipo ir naudojimo, sumažėja rizika susižaloti.
- ▶ Saugokitės, kad neįjungtumėte prietaiso atsitiktinai. Prieš prijungdami prie elektros maitinimo tinklo, idėdami akumuliatorių, imdami į rankas ar nešdami, įsitikinkite, kad elektrinis įrankis yra išjungtas. Jeigu nešdami elektrinį įrankį pirštą laikysite ant jungiklio arba įrankį įjungsite į elektros tinklą tuomet, kai jungiklis nėra išjungtas, gali įvykti nelaimingas atsitikimas.
- ▶ Prieš įjungdami elektrinį įrankį, pašalinkite iš jo reguliavimo įrankius ar veržlinius raktus. Besisukančioje prietaiso dalyje esantis įrankis ar paliktas raktas gali tapti sužalojimų priežastimi.
- ▶ Venkite nepatogių kūno padėčių. Dirbdami stovėkite tvirtai ir visada išlaikykite kūno pusiausvyrą. Taip galėsite geriau kontroliuoti elektrinį įrankį netikėtose situacijose.
- ▶ Vilkėkite tinkamą aprangą. Nevilkėkite plačių drabužių, nesidėkite papuošalų. Saugokite plaukus, drabužius ir pirštines nuo besisukančių prietaiso dalių. Laisvus drabužius, papuošalus ir ilgus plaukus gali įtrukti besisukančios prietaiso dalys.
- ▶ Jei yra numatyta galimybė prijungti dulkių nusiurbimo ar surinkimo įrenginius, visada įsitikinkite, kad jie yra prijungti ir tinkamai naudojami. Naudojant dulkių nusiurbimo įrenginį, gali sumažėti dulkių keliamą grėsmę.

Elektrinio įrankio naudojimas ir elgesys su juo

- ▶ Prietaiso neperkraukite. Naudokite Jūsų darbui tinkamą elektrinį įrankį. Su tinkamu elektriniu įrankiu Jūs dirbsite geriau ir saugiau, jei neviršysite nurodytos galios.
- ▶ Nenaudokite elektrinio įrankio su sugedusiu jungikliu. Elektrinis įrankis, kurio nebegalima įjungti ar išjungti, yra pavojingas ir jį reikia remontuoti.
- ▶ Prieš prietaisą nustatydami, keisdami reikmenis ar tiesiog padėdami į šalį, visuomet ištraukite maitinimo kabelio kištuką iš elektros lizdo ir / arba išimkite akumuliatorių. Ši atsargumo priemonė leis išvengti netikėto elektrinio įrankio įsijungimo.
- ▶ Nenaudojamus elektrinius įrankius saugokite vaikams neprieinamoje vietoje. Neleiskite prietaisui naudotis asmenims, kurie nėra su juo susipažinę arba nėra perskaitę šios instrukcijos. Elektriniai įrankiai yra pavojingi, kai juos naudoja patirties neturintys asmenys.
- ▶ Elektrinius įrankius rūpestingai prižiūrėkite. Tikrinkite, ar judančios elektrinio įrankio dalys tinkamai funkcionuoja ir niekur neklūva, ar nėra sulūžusių ir pažeistų dalių, kurios blogintų įrankio veikimą. Prieš naudojimą pažeistos prietaiso dalys turi būti suremontuotos. Blogai prižiūrimi elektriniai įrankiai yra daugelio nelaimingų atsitikimų priežastis.
- ▶ Pjovimo įrankiai visuomet turi būti aštrūs ir švarūs. Rūpestingai prižiūrėti pjovimo įrankiai su aštriomis pjaunančiosiomis briaunomis mažiau stringa ir juos yra lengviau valdyti.
- ▶ Elektrinį įrankį, reikmenis, keičiamuosius įrankius ir t. t. naudokite pagal šias instrukcijas. Taip pat atsižvelkite į darbo sąlygas ir atliekamo darbo pobūdį. Elektrinius įrankius naudojant ne pagal paskirtį, gali kilti pavojingos situacijos.

Techninė priežiūra

- ▶ Savo elektrinį įrankį patikėkite remontuoti tik kvalifikuotam specialistui, tam jis turi naudoti tik originalias atsargines dalis. Taip galima užtikrinti, kad bus išlaikytas elektrinio įrankio naudojimo saugumas.

2.2 Saugos nurodymai smūginiams įrankiams

- ▶ Dirbdami užsidėkite ausines. Triukšmas gali pakenkti klausai.
- ▶ Naudokite prietaiso komplekte esančias papildomas rankenas. Prietaisui tapus nebevaldomam, galite susižaloti.
- ▶ Vykdydami darbus, kurių metu keičiamasis įrankis gali liesti paslėptus elektros laidus ar nuosavą elektros maitinimo kabelį, prietaisą laikykite paėmę už izoliuotų rankenų paviršių. Dėl kontakto su laidais, kuriais teka elektros srovė, metalinėse prietaiso dalyse taip pat gali atsirasti įtampa, todėl kyla elektros smūgio pavojus.



2.3 Papildomi saugos nurodymai

Žmonių sauga

- ▶ Prietaisą naudokite tik tada, kai jis yra techniškai tvarkingas.
- ▶ Prietaisą draudžiama keisti ar kitaip juo manipuliuoti.
- ▶ Vykdydami sienų ar grindų pragręžimo ar pramušimo kliaurai darbus, apsaugokite kitoje pusėje esančią zoną. Gręžimo kernai ar medžiagos skeveldros gali iškristi arba nukristi ir sužaloti kitus žmones.
- ▶ Įsitikinkite, kad šoninė rankena tinkamai sumontuota ir tvarkingai pritvirtinta. Prietaisą visada laikykite tvirtai, abiem rankomis paėmę už rankenų. Prižiūrėkite rankenas, kad jos būtų sausos, švarios ir netepaluotos.
- ▶ Dirbdami darykite pertraukas ir atpalaidavimo pratimus pirštams, kad pagerėtų kraujotaka. Dirbant ilgesnį laiką, vibracijos gali sukelti pirštų, plaštakos ar riešo sąnario kraujagyslių ar nervų sistemos pažeidimus.
- ▶ Prietaisas nėra skirtas naudoti fiziškai silpniems neinstrukuotiems asmenims.
- ▶ Prietaisą laikykite vaikams nepasiekiamoje vietoje.
- ▶ Prieš pradėdami dirbti, nustatykite darbo metu kilsiančių dulkių kenksmingumo klasę. Naudokite licencijuotą statybinį dulkių siurbį, atitinkantį apsaugos klasę pagal vietoje galiojančias apsaugos nuo dulkių normas.
- ▶ Pagal galimybes naudokite dulkių nusiurbimo įtaisą ir tinkamą mobilųjį dulkių siurbį. Tam tikrų medžiagų, pvz., dažų, kuriuose yra švino junginių, kai kurių medienos rūšių, betono / mūro / akmens, kuriuose yra kvarco ir kitų mineralų, taip pat metalo dulksės gali būti sveikatai kenksmingos.
- ▶ Pasirūpinkite, kad darbo vieta būtų gerai vėdinama, ir, jeigu reikia, užsidėkite atitinkamoms dulksėms skirtą kvėpavimo takus saugančią kaukę. Liečiamos ar įkvėptos tokios dulksės darbuotojui ar arti jo esantiems asmenims gali sukelti alergines reakcijas ir / arba kvėpavimo takų susirgimus. Ažuolo arba buko medienos dulksės gali sukelti vėžinius susirgimus, ypač tada, kai buvo naudojami priedai medienai apdoroti (chromatai, medienos konservantai). Medžiagas, kuriose yra asbesto, leidžiama apdoroti tik specialistams.

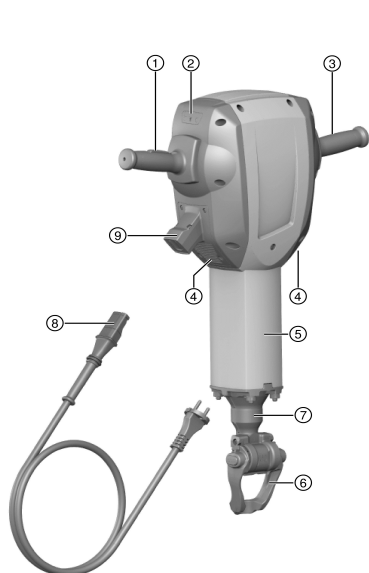
Apsauga nuo elektros

- ▶ Prieš pradėdami dirbti, patikrinkite, ar darbo zonoje nėra paslėptų elektros laidų, dujų ar vandentiekio vamzdžių. Netyčia pažeidus elektros kabelį, išorinėse metalinėse prietaiso dalyse gali atsirasti įtampa, kelianti elektros smūgio pavojų.
- ▶ Nuolat tikrinkite prietaiso elektros maitinimo kabelį; pažeistą kabelį turėtų pakeisti kvalifikuotas specialistas. Jeigu elektrinio įrankio maitinimo kabelis yra pažeistas, jį būtina pakeisti specialiai paruoštu ir aprobuotu elektros maitinimo kabeliu, kurį galima įsigyti per klientų aptarnavimo tinklą. Reguliariai tikrinkite ilginimo kabelį, o pažeistą pakeiskite nauju. Nesilieskite prie maitinimo ar ilginimo kabelio, jeigu darbo metu jie buvo apgadinti. Maitinimo kabelio kištuką ištraukite iš elektros lizdo. Pažeisti elektros maitinimo ir ilginimo kabeliai kelia elektros smūgio pavojų.
- ▶ Jei prietaisus dažnai naudojate elektrai laidžioms medžiagoms apdirbti, užterštus prietaisus reguliariai tikrinkite **Hilti** techniniame centre. Ant prietaiso korpuso susikaupusios dulksės, ypač laidžių medžiagų dulksės, arba drėgmė, esant nepalankioms sąlygoms, gali kelti elektros smūgio pavojų.
- ▶ Nutrūkus elektros energijos tiekimui, išjunkite prietaisą ir ištraukite jo maitinimo kabelio kištuką iš elektros lizdo. Taip išvengsite atsitiktinio prietaiso įsijungimo, kai įtampa elektros tinkle vėl atsiras.



3 Aprašymas

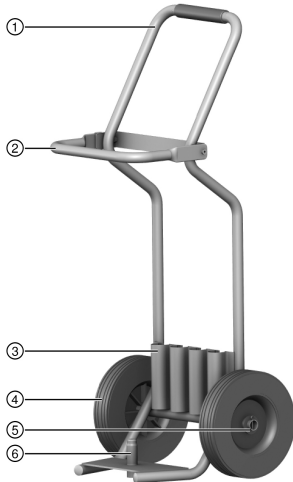
3.1 Prietaiso vaizdas



- ① Jungiklis
- ② Techninės priežiūros indikatorius
- ③ Rankena
- ④ Vėdinimo plyšiai
- ⑤ Kreipiantysis vamzdis
- ⑥ Įrankio fiksatorius / skląščio apkaba
- ⑦ Įrankio griebtuvas
- ⑧ Elektros maitinimo kabelis su atskiriamu koduotu jungties kištuku
- ⑨ Jungtis elektros maitinimo kabeliui



3.2 Transportinio vežimėlio elementai 2



- ① Rankena
- ② Fiksavimo rankena
- ③ Laikiklis eksploatacinėms medžiagoms (kal-tams)
- ④ Ratai
- ⑤ Rato tvirtinimas (poveržlė, vielokaištis)
- ⑥ Mašinos fiksavimo strypas

3.3 Naudojimas pagal paskirtį

Aprašytasis prietaisas yra rankinis kirstuvas su 28 mm šešiabriauniu įrankio griebtuvu. Jis yra skirtas betono, mūro ir asfalto kirtimo darbams. Kitos naudojimo sritys – plūkimas ir duobių kasimas.

- ▶ Su prietaisu dirbkite tik įjungę jį į elektros tinklą, kurio įtampa ir dažnis atitinka reikšmes, nurodytas prietaiso firminėje duomenų lentelėje.


3.4 Netinkamas naudojimas

Sveikatai pavojingoms medžiagoms apdoroti šis prietaisas netinka. Šis prietaisas nėra skirtas eksploatuoti drėgnoje aplinkoje.

3.5 Techninės priežiūros indikatoriai

Kirstuve yra įrengtas techninės priežiūros indikatoriai su šviesos signalu.

Būsena	Reikšmė
Techninės priežiūros indikatoriai šviečia raudona spalva.	Laikas vykdyti techninės priežiūros darbus. Prietaiso gedimas.
Techninės priežiūros indikatoriai mirksi raudona spalva.	Apsauga nuo perkaitimo Elektros tinkle yra per didelė įtampa.

 Prietaisą laikui pristatykite į **Hilti** techninės priežiūros centrą. Taip jis bus visada parengtas naudoti.

3.6 Active Vibration Reduction (AVR)

Kirstuvas turi Active Vibration Reduction (AVR) sistemą, kuri stipriai mažina vibraciją.



3.7 Tiekiamas kompletas

Kirstuvus, naudojimo instrukcija, tirštasis tepalas.

Transportinis vežimėlis yra siūlomas kaip papildomai užsakomas reikmuo.



Daugiau Jūsų turimam prietaisui skirtų sisteminių reikmenų rasite vietiniame **Hilti** techninės priežiūros centre arba tinklalapyje www.hilti.group

4 Techniniai duomenys



Nominalioji maitinimo įtampa, nominalioji srovė, dažnis ir / arba nominali vartojamoji galia yra nurodyti Jūsų šaliai galiojančioje firminėje duomenų lentelėje.

Prietaisą maitinant iš generatoriaus arba transformatoriaus, šių įrenginių atiduodamoji galia turi būti bent dvigubai didesnė už prietaiso firminėje duomenų lentelėje nurodytą nominalią vartojamąją galią. Generatoriaus arba transformatoriaus darbinės įtamos reikšmė bet kuriuo metu turi būti prietaiso nominalios maitinimo įtamos +5 % ir -15 % ribose.

	TE 3000-AVR
Svoris pagal EPTA-Procedure 01	29,9 kg
Smūgio energija pagal EPTA-Procedure	68 J
Laikymo temperatūra	-20 °C ... 70 °C
Darbinė aplinkos temperatūra	-17 °C ... 60 °C

4.1 Informacija apie triukšmą ir vibracijos reikšmės pagal EN 62841

Šiuose nurodymuose pateiktos garso slėgio ir vibracijos reikšmės yra išmatuotos taikant standartizuotą matavimo metodą ir gali būti naudojamos elektriniams įrankiams palyginti tarpusavyje. Jos taip pat tinka šių veiksmų poveikiui iš anksto įvertinti.

Nurodytieji duomenys yra susieti su pagrindinėmis šio elektrinio įrankio naudojimo sritimis. Jeigu elektrinis įrankis bus naudojamas kitaip, su skirtingais keičiamaisiais įrankiais arba bus nepakankamai techniškai prižiūrimas, šie duomenys gali skirtis nuo nurodytųjų. Tai gali gerokai padidinti šių veiksmų poveikį per visą darbo laikotarpį.

Norint tiksliai įvertinti poveikį, reikėtų įvertinti ir laiką, kai prietaisas yra išjungtas, arba, nors ir įjungtas, juo faktiškai nedirbama. Toks įvertinimas gali smarkiai sumažinti poveikio per visą darbo laikotarpį reikšmę.

Imkitės papildomų saugos priemonių, kad darbuotojas būtų apsaugotas nuo triukšmo ir / arba vibracijos poveikio, pavyzdžiui, reikalaukite tinkamos elektrinio įrankio ir keičiamųjų įrankių techninės priežiūros, pasirūpinkite, kad darbuotojų rankos visada būtų šiltos, užtikrinkite tinkamą darbo organizavimą.

Informacija apie triukšmą

Garso stiprumo lygis (L_{WA})	105 dB(A)
Garso stiprumo lygio paklaida (K_{WA})	3 dB(A)
Garso slėgio lygis (L_{pA})	94 dB(A)
Garso slėgio lygio paklaida (K_{pA})	3 dB(A)

Informacija apie vibraciją

Kirtimas kaltu ($a_{h, Cheq}$)	7 m/s ²
Paklaida (K)	1,5 m/s ²

4.2 Ilginimo kabelio naudojimas



ĮSPĖJIMAS

Pavojų kelia pažeistas kabelis! Nesilieskite prie maitinimo kabelio, jeigu darbo metu jis buvo apgadintas. aitinimo kabelio kištuką ištraukite iš elektros lizdo.

► Nuolat tikrinkite prietaiso maitinimo kabelį; pažeistą kabelį turėtų pakeisti kvalifikuotas specialistas.

- Naudokite tik darbo zonoje pritaikytą ir leistiną pakankamo laidų skerspjūvio ploto ilginimo kabelį. Priešingų atveju prietaisas gali veikti mažesne galia arba kabelis gali perkaisti.
- Reguliariai tikrinkite, ar ilginimo kabelis nėra pažeistas.



- Pažeistą ilginimo kabelį pakeiskite nauju.
- Dirbdami lauke, naudokite tik tokius ilginimo kabelius, kurie yra aprobuoti ir atitinkamai paženklinėti.

Rekomenduojamas mažiausias laidų skerspjūvio plotas ir maksimalus kabelio ilgis, kai elektros tinklo įtampa 120 V

Kabelis	AWG 16	AWG 14	AWG 12	AWG 10
Laido skerspjūvio plotas	1,31 mm ²	2,08 mm ²	3,31 mm ²	5,26 mm ²
Laido skerspjūvio plotas	2,58 kcmil	4,11 kcmil	6,53 kcmil	10,4 kcmil
Kabelio ilgis	25 m	30 m	50 m	100 m
Kabelio ilgis	75 ft	100 ft	150 ft	250 ft

5 Naudojimas

5.1 Pasiruošimas darbui

ATSAUGIAI

Sužalojimo pavojus! Atsitiktinis prietaiso įjungimas.

- ▶ Prieš nustatydami prietaisą ar keisdami reikmenis, maitinimo kabelio kištuką ištraukite iš elektros lizdo.

Laikykites šioje instrukcijoje ir ant prietaiso pateiktų saugos nurodymų ir įspėjimų.

5.1.1 Keičiamojo įrankio įdėjimas

Prieš kiekvieną naudojimą tikrinkite, ar įrankis nėra pažeistas ir netolygiai nusidėvėjęs; jeigu reikia, jį pakeiskite. Tikrinkite, ar skląščio apkaba yra švari ir nepažeista.

1. Keičiamojo įrankio kotą šiek tiek patepkite tirštuoju tepalu.
2. Atidarykite skląščio apkabą.
3. Keičiamąjį įrankį kiškite į įrankio griebtuvą, kol atsirems.
4. Kai naudojate įrankius su atraminiu žiedu, skląščio apkabą nustatykite į uždarymo padėtį A.
5. Kai naudojate įrankius su grioveliumi, skląščio apkabą nustatykite į uždarymo padėtį B.
 - ↳ Kalto padėtį nustatykite tokią, kad griovelis būtų nukreiptas į uždarymo padėtį B.
6. Patraukę įrankį patikrinkite, ar jis gerai užsifiksavo.
 - ↳ Kombinuotus įrankius, turinčius atraminį žiedą ir griovelį, galima fiksuoti pasirinktinai uždarymo padėtyje A arba B.

Naudokite tik originalų **Hilti** tirštąjį tepalą. Naudojant netinkamą tirštąjį tepalą, yra pavojus prietaisą pažeisti.

5.1.2 Įrankio išėmimas

ĮSPĖJIMAS

Sužalojimo pavojus Naudojamas įrankis įkaista, jo briaunos gali būti aštrios.

- ▶ Keisdami įrankį, mūvėkite apsaugines pirštines.

PAVOJUS

Gaisro pavojus. Pavojų kelia karšto įrankio lietimasis su lengvai užsidegančiomis medžiagomis.

- ▶ Įkaitusio įrankio nedėkite ant lengvai užsidegančių medžiagų.

ĮSPĖJIMAS

Sužalojimo pavojus Karšti paviršiai kelia nusideginimo pavojų.

- ▶ Stenkitės neliesi kreipiančiojo vamzdžio, nes darbo metu jis įkaista.

1. Atidarykite skląščio apkabą.
2. Keičiamąjį įrankį ištraukite iš griebtuvo.



5.2 Įkišamas elektros maitinimo kabelis

ATSARGIAI

Sužalojimo pavojus dėl paviršinio nuotėkio srovės, esant užterštiems kontaktams.

- ▶ Atskiriamą elektros maitinimo kabelio kištuką prie prietaisojunkite tik kai jis yra švarus, sausas ir atjungtas nuo elektros tinklo.

- ▶ Prijunkite / atjunkite įkišamą elektros maitinimo kabelį.

5.2.1 Įkišamo elektros maitinimo kabelio prijungimas

ATSARGIAI

Sužalojimo pavojus dėl paviršinio nuotėkio srovės, esant užterštiems kontaktams.

- ▶ Atskiriamą elektros maitinimo kabelio kištuką prie prietaisojunkite tik kai jis yra švarus, sausas ir atjungtas nuo elektros tinklo.

1. Koduotą atskiriamą elektrinę kištukinę jungtį kiškite į prietaisą, kol atsirems, o fiksatorius garsiai užsifiksuos.
2. Maitinimo kabelio kištuką įstatykite į elektros lizdą.

5.2.2 Įkišamo elektros maitinimo kabelio atjungimas nuo elektrinio prietaiso

1. Maitinimo kabelio kištuką ištraukite iš elektros lizdo.
2. Paspauskite fiksavimo mygtuką ir koduotą atskiriamą elektrinę kištukinę jungtį ištraukite.
3. Elektros maitinimo kabelį ištraukite iš prietaiso.

6 Prižiūra ir einamasis remontas

ĮSPĖJIMAS

Sužalojimo pavojus kai įstatytas akumulatorius !

- ▶ Prieš pradėdami bet kokius techninės prižiūros ir einamojo remonto darbus, akumuliatorių iš prietaiso išimkite!

Prietaiso prižiūra

- Atsargiai pašalinti prilipusius nešvarumus.
- Vėdinimo plyšius atsargiai išvalyti sausu šepetėliu.
- Korpusą valyti tik šiek tiek sudrėkinta šluoste. Nenaudoti silikono turinčių prižiūros priemonių, nes jos gali pakenkti plastikinėms detalėms.

Ličio jonų akumuliatorių prižiūra

- Akumuliatorių saugoti nuo alyvos ir tirštojo tepalo.
- Korpusą valyti tik šiek tiek sudrėkinta šluoste. Nenaudoti silikono turinčių prižiūros priemonių, nes jos gali pakenkti plastikinėms detalėms.
- Saugoti, kad į vidų neprasiskverbtų drėgmė.

Einamasis remontas

- Reguliariai tikrinti, ar matomos dalys nėra pažeistos ir ar valdymo elementai veikia nepriekaištingai.
- Pažeisto ir / arba turinčio veikimo sutrikimų prietaiso nenaudoti. Nedelsiant kreiptis į **Hilti** techninės prižiūros centrą dėl remonto.
- Baigus techninės prižiūros ir einamojo remonto darbus, sumontuoti visus apsauginius įtaisus ir patikrinti jų veikimą.



Kad eksploatacija būtų patikima, naudokite tik originalias atsargines dalis ir eksploatacines medžiagas. Mūsų aprobuotas atsargines dalis, eksploatacines medžiagas ir reikmenis savo prietaisui rasite vietinėje **Hilti Store** arba tinklalapyje www.hilti.group.

7 Transportavimas ir sandėliavimas

- Elektrinio prietaiso netransportuoti su sumontuotu įrankiu.
- Elektrinį prietaisą laikyti / sandėliuoti tik su iš elektros lizdo ištrauktu maitinimo kabelio kištuku.
- Prietaisą laikyti sausoje ir vaikams bei neįgaliesiems asmenims neprieinamoje vietoje.



- Prieš naudojant po ilgesnio transportavimo arba sandėliavimo, patikrinti, ar prietaisas nėra pažeistas.

8 Pagalba sutrikus veikimui

Pasitaikius sutrikimų, kurie nėra aprašyti šioje lentelėje arba kurių negalite pašalinti patys, kreipkitės į **Hilti** techninės priežiūros centrą.

8.1 Sutrikimų paieška

Sutrikimas	Galima priežastis	Sprendimas
Kirstuvas neįsijungia.	Vyksta elektroninės sistemos iniciacija (įstačius kištuką, ji trunka maždaug 4 sekundes). Dingus įtampai elektros tinkle, yra suaktyvintas elektroninis paleidimo bloktorius.	▶ Prietaisą išjunkite ir vėl įjunkite.
	Nutrūko elektros energijos tiekimas.	▶ Prijunkite kitą elektrinį prietaisą ir patikrinkite jo veikimą.
	Generatorius veikia budėjimo režimu (Sleep Mode).	▶ Apkraukite generatorių antruoju energijos vartotoju (pvz., statybinio šviestuvu). Paskui prietaisą išjunkite ir vėl įjunkite.
	Įkišamas elektros maitinimo kabelis netinkamai įstatytas į lizdą.	▶ Įkišamą elektros maitinimo kabelį tinkamai prijunkite prie elektrinio prietaiso.
Techninės priežiūros indikatorius šviečia raudona spalva.	Prietaiso gedimas arba laikas vykdyti techninės priežiūros darbus.	▶ Prietaisą remontuokite tik Hilti techninės priežiūros centre.
Techninės priežiūros indikatorius mirksi raudona spalva.	Elektros tinkle yra per didelė įtampa	▶ Pakeiskite elektros lizdą. Patikrinkite elektros tinklo parametrus.
	Apsauga nuo perkaitimo.	▶ Leiskite prietaisui atvėsti. Išvalykite vėdinimo plyšius. Prietaisą eksploatuoti tuščiąja eiga dar galima.
Prietaisas nesmūgiuoja.	Prietaisas per šaltas.	▶ Kirstuvą padėkite ant grindų ir leiskite veikti tuščiąja eiga. Jeigu reikia, pakartokite, kol smūginis mechanizmas pradės veikti.
Kirstuvas neįsijungia arba darbo metu išsijungia.	Per ilgas ilginimo kabelis ir / arba per mažas jo laidų skerspjūvio plotas.	▶ Naudokite reikiamo ilgio ir / arba pakankamo laidų skerspjūvio ploto ilginimo kabelį.

9 Utilizavimas

Hilti prietaisai yra pagaminti iš medžiagų, kurias galima naudoti antrą kartą. Būtina antrinio perdirbimo sąlyga yra tinkamas medžiagų išrūšiuojimas. Daugelyje šalių **Hilti** priims Jūsų nebenaudojamą prietaisą perdirbti. Apie tai galite pasiteirauti artimiausiam **Hilti** techninės priežiūros centre arba savo prekybos konsultantui.



- ▶ Elektrinių įrankių, elektroninių prietaisų ir akumuliatorių neišmeskite į buitinius šiukšlynus!

10 RoHS (direktyva dėl pavojingų medžiagų naudojimo ribojimo)

Pavojingų medžiagų lentelę rasite spausdami šią nuorodą: qr.hilti.com/r4783.
Nuorodą į RoHS lentelę rasite kaip QR kodą šios instrukcijos gale.



11 Gamintojo teikiama garantija

- ▶ Kilus klausimų dėl garantijos sąlygų, kreipkitės į vietinį **Hilti** partnerį.



1 Указания к документации**1.1 Об этом документе****Импортер и уполномоченная изготовителем организация**

- (RU) Российская Федерация
АО "Хилти Дистрибьюшн ЛТД", 141402, Московская область, г. Химки, ул. Ленинградская, стр. 25
- (BY) Республика Беларусь
222750, Минская область, Дзержинский район, Р-1, 18-й км, 2 (около д. Слободка), помещение 1-34
- (KZ) Республика Казахстан
Республика Казахстан, индекс 050011, г. Алматы, ул. Пугачева 4
- (KG) Киргизская Республика
ОсОО "Т AND Т", 720021, Кыргызстан, Бишкек, ул. Ибраимова 29 А
- (AM) Республика Армения
ООО Эйч-Кон, Республика Армения, г. Ереван, ул. Бабаяна 10/1

Страна производства: см. маркировочную табличку на оборудовании.

Дата производства: см. маркировочную табличку на оборудовании.

Соответствующий сертификат можно найти по адресу: www.hilti.ru

Специальных требований к условиям хранения, транспортировки и использования, кроме указанных в руководстве по эксплуатации, нет.

Срок службы изделия составляет 5 лет.

- Ознакомьтесь с этим документом перед началом работы. Это является залогом безопасной работы и бесперебойной эксплуатации.
- Соблюдайте указания по технике безопасности и предупреждающие указания, приводимые в данном документе и на изделии.
- Храните руководство по эксплуатации всегда рядом с электроинструментом и передавайте электроинструмент будущим владельцам только вместе с этим руководством.

1.2 Пояснение к знакам (условным обозначениям)**1.2.1 Предупреждающие указания**

Предупреждающие указания служат для предупреждения об опасностях при обращении с машиной. Используются следующие сигнальные слова:

 **ОПАСНО****ОПАСНО !**

- ▶ Общее обозначение непосредственной опасной ситуации, которая влечет за собой тяжелые травмы или смертельный исход.

 **ПРЕДУПРЕЖДЕНИЕ****ПРЕДУПРЕЖДЕНИЕ !**

- ▶ Общее обозначение потенциально опасной ситуации, которая может повлечь за собой тяжелые травмы или смертельный исход.

 **ОСТОРОЖНО****ОСТОРОЖНО !**

- ▶ Общее обозначение потенциально опасной ситуации, которая может повлечь за собой легкие травмы или повреждение оборудования.

1.2.2 Символы, используемые в руководстве

В этом руководстве используются следующие символы:



Перед использованием прочтите руководство по эксплуатации.



	Указания по эксплуатации и другая полезная информация
	Обращение с материалами, пригодными для вторичной переработки
	Не выбрасывайте электроустройства и аккумуляторы вместе с обычным мусором!

1.2.3 Символы на изображениях

На изображениях используются следующие символы:

	Эти цифры указывают на соответствующее изображение в начале данного руководства.
3	Нумерация на изображениях отображает порядок выполнения рабочих операций и может отличаться от нумерации, используемой в тексте.
	Номера позиций используются в обзорном изображении. В обзоре изделия они указывают на номера в экспликации.
	Этот знак должен привлечь особое внимание пользователя при обращении с изделием.

1.3 Символы на изделии

1.3.1 Символы на изделии

На изделии используются следующие символы:

	Класс защиты II (двойная изоляция)
	Транспортировка краном запрещена
	Беспроводная передача данных

1.4 Информация об изделии

Изделия **Hilti** предназначены для профессионального использования, поэтому они могут обслуживаться и ремонтироваться только уполномоченным и обученным персоналом. Этот персонал должен пройти специальный инструктаж по технике безопасности. Использование изделия и его оснастки не по назначению или его эксплуатация необученным персоналом могут представлять опасность.

Типовое обозначение и серийный номер указаны на заводской табличке.

- ▶ Перепишите серийный номер в нижеприведенную табличную форму. Данные изделия необходимы при обращении в наше представительство или сервисный центр.

Указания к изделию → страница 95

Указания к изделию

Отбойный молоток	TE 3000-AVR
Поколение	01
Серийный номер	

1.5 Декларация соответствия нормам

Настоящим мы с полной ответственностью заявляем, что данное изделие соответствует действующим директивам и нормам. Копию декларации соответствия нормам см. в конце этого документа.

Техническая документация (оригиналы) хранится здесь:

Hilti Entwicklungsgesellschaft mbH | Zulassung Geräte | Hiltistraße 6 | 86916 Kaufering, Германия



2.1 Общие указания по технике безопасности для электроинструментов

⚠ ПРЕДУПРЕЖДЕНИЕ Прочтите все указания по мерам безопасности и инструкции. Невыполнение приведенных ниже указаний может привести к поражению электрическим током, пожару и/или вызвать тяжелые травмы.

Сохраните все указания по технике безопасности и инструкции для следующего пользователя.

Используемый далее термин «электроинструмент» относится к электроинструменту, работающему от электрической сети (с сетевым кабелем) и от аккумулятора (без сетевого кабеля).

Безопасность рабочего места

- ▶ Следите за чистотой и порядком на рабочем месте. Беспорядок на рабочем месте и плохое освещение могут привести к несчастным случаям.
- ▶ Не используйте электроинструмент во взрывоопасной зоне, где имеются горючие жидкости, газы или пыль. При работе электроинструментом искрит, и искры могут воспламенить пыль или пары.
- ▶ Не разрешайте детям и посторонним приближаться к работающему электроинструменту. Отвлекаясь от работы, можно потерять контроль над инструментом.

Электрическая безопасность

- ▶ Соединительная вилка электроинструмента должна соответствовать розетке электросети. Не изменяйте конструкцию вилки! Не используйте переходные вилки с электроинструментами с защитным заземлением. Оригинальные вилки и соответствующие им розетки снижают риск поражения электрическим током.
- ▶ Избегайте непосредственного контакта с заземленными поверхностями, например с трубами, отопительными приборами, печами (плитами) и холодильниками. При соприкосновении с заземленными предметами возникает повышенный риск поражения электрическим током.
- ▶ Предохраняйте электроинструменты от дождя или воздействия влаги. В результате попадания воды в электроинструмент возрастает риск поражения электрическим током.
- ▶ Не используйте кабель не по назначению, например для переноски электроинструмента, его подвешивания или для выдергивания вилки из розетки электросети. Защищайте кабель от воздействий высоких температур, масла, острых кромок или вращающихся узлов электроинструмента. В результате повреждения или схлестывания кабеля повышается риск поражения электрическим током.
- ▶ Если работы выполняются на открытом воздухе, применяйте только удлинительные кабели, которые разрешено использовать вне помещений. Применение удлинительного кабеля, пригодного для использования вне помещений, снижает риск поражения электрическим током.
- ▶ Если нельзя избежать работы с электроинструментом в условиях влажности, используйте автомат защиты от тока утечки. Использование автомата защиты от тока утечки снижает риск поражения электрическим током.

Безопасность персонала

- ▶ Будьте внимательны, следите за своими действиями и серьезно относитесь к работе с электроинструментом. Не пользуйтесь электроинструментом, если вы устали или находитесь под действием наркотиков, алкоголя или медикаментов. Незначительная ошибка при невнимательной работе с электроинструментом может стать причиной серьезного травмирования.
- ▶ Применяйте средства индивидуальной защиты и всегда обязательно надевайте защитные очки. Использование средств индивидуальной защиты, например респиратора, обуви на нескользящей подошве, защитной каски или защитных наушников, в зависимости от вида и условий эксплуатации электроинструмента, снижает риск травмирования.
- ▶ Избегайте непреднамеренного включения электроинструмента. Убедитесь в том, что электроинструмент выключен, прежде чем подключить его к электропитанию и/или вставить аккумулятор, поднимать или переносить его. Если при перемещении инструмента ваш палец окажется на выключателе или произойдет подача питания на включенный инструмент, это может привести к несчастному случаю.
- ▶ Перед включением электроинструмента удалите регулировочные приспособления и гаечный ключ. Рабочий инструмент или гаечный ключ, находящийся во вращающейся части электроинструмента, может привести к травмам.
- ▶ Старайтесь избегать неестественных поз при работе. Постоянно сохраняйте устойчивое положение и равновесие. Это позволит лучше контролировать электроинструмент в непредвиденных ситуациях.



- ▶ **Носите спецодежду. Не надевайте очень свободной одежды или украшений. Оберегайте волосы, одежду и перчатки от вращающихся узлов электроинструмента.** Свободная одежда, украшения и длинные волосы могут быть захвачены ими.
- ▶ **Если предусмотрено подсоединение устройств для удаления и сбора пыли, убедитесь в том, что они подсоединены и используются по назначению.** Использование модуля пылеудаления снижает вредное воздействие пыли.

Использование и обслуживание электроинструмента

- ▶ **Не допускайте перегрузки электроинструмента. Используйте электроинструмент, предназначенный именно для данной работы.** Соблюдение этого правила обеспечит более высокое качество и безопасность работы в указанном диапазоне мощности.
- ▶ **Не используйте электроинструмент с неисправным выключателем.** Электроинструмент, включение или выключение которого затруднено, представляет опасность и должен быть отремонтирован.
- ▶ **Прежде чем приступить к регулировке электроинструмента, замене принадлежностей или перед перерывом в работе, выньте вилку из розетки и/или аккумулятор из электроинструмента.** Данная мера предосторожности позволит предотвратить непреднамеренное включение электроинструмента.
- ▶ **Храните неиспользуемые электроинструменты в местах, недоступных для детей. Не позволяйте использовать инструмент лицам, которые не ознакомлены с ним или не читали настоящих инструкций.** Электроинструменты представляют собой опасность в руках неопытных пользователей.
- ▶ **Бережно обращайтесь с электроинструментами. Проверяйте безупречное функционирование подвижных частей, легкость их хода, целостность и отсутствие повреждений, которые могли бы отрицательно повлиять на работу электроинструмента. Сдавайте поврежденные части инструмента в ремонт до его использования.** Причиной многих несчастных случаев является несоблюдение правил технического обслуживания электроинструментов.
- ▶ **Необходимо следить за тем, чтобы режущие инструменты были острыми и чистыми.** Заклинивание содержащихся в рабочем состоянии режущих инструментов происходит реже, ими легче управлять.
- ▶ **Применяйте электроинструмент, принадлежности, рабочую оснастку и т. д. согласно указаниям. Учитывайте при этом рабочие условия и характер выполняемой работы.** Использование электроинструментов не по назначению может привести к опасным ситуациям.

Сервис

- ▶ **Доверяйте ремонт своего электроинструмента только квалифицированному персоналу, использующему только оригинальные запчасти.** Этим обеспечивается поддержание электроинструмента в безопасном и исправном состоянии.

2.2 Указания по технике безопасности при работе с перфораторами

- ▶ **Надевайте защитные наушники.** В результате воздействия шума возможна потеря слуха.
- ▶ **Используйте дополнительные рукоятки, которые входят в комплект инструмента.** Потеря контроля над инструментом может привести к травмам.
- ▶ **При опасности повреждения рабочим инструментом скрытой электропроводки или сетевого кабеля держите электроинструмент за изолированные поверхности.** При контакте с токопроводящими предметами незащищенные металлические части электроинструмента находятся под напряжением, что может привести к поражению электрическим током.

2.3 Дополнительные указания по технике безопасности

Безопасность персонала

- ▶ Используйте электроинструмент только в технически исправном состоянии.
- ▶ Внесение изменений в конструкцию электроинструмента или его модификация категорически запрещаются.
- ▶ При изготовлении сквозных проемов ограждайте опасную зону с противоположной стороны стены. Вылетающие наружу и/или падающие вниз осколки могут травмировать других людей.
- ▶ Убедитесь в том, что боковая рукоятка правильно установлена и надежно закреплена. Всегда надежно удерживайте электроинструмент обеими руками за предусмотренные для этого рукоятки. Рукоятки должны быть сухими и чистыми, не замасленными.
- ▶ Чтобы во время работы руки не затекали, время от времени делайте упражнения для расслабления и разминки пальцев. При длительной работе возникающие вибрации могут привести к нарушениям кровоснабжения сосудов или в нервных окончаниях пальцев/кистей рук или в запястьях.



- ▶ Этот электроинструмент не предназначен для использования физически слабыми лицами без соответствующего инструктажа.
- ▶ Держите электроинструмент в недоступном для детей месте.
- ▶ Перед началом работы выясните (по обрабатываемому материалу) класс опасности возникающей пыли. Для работы с электроинструментом используйте строительный (промышленный) пылесос, степень защиты которого соответствует нормам пылезащиты, действующим в месте эксплуатации.
- ▶ По возможности используйте систему пылеудаления с подходящим мобильным пылеудаляющим аппаратом. Пыль, возникающая при обработке лакокрасочных покрытий, содержащих свинец, некоторых видов древесины, бетона/кирпичной и каменной кладки с частицами кварца, минералов, а также металла может представлять опасность для здоровья.
- ▶ Обеспечьте оптимальную вентиляцию рабочей зоны и при необходимости надевайте респиратор, который подходит для защиты от конкретного вида пыли. Вдыхание частиц такой пыли или контакт с ней может стать причиной появления аллергических реакций и/или заболеваний дыхательных путей как у пользователя, так и находящихся вблизи лиц. Некоторые виды пыли (например пыль, возникающая при обработке дуба или бука) считаются канцерогенными, особенно в комбинации с дополнительными материалами, используемыми для обработки древесины (соль хромовой кислоты, средства защиты древесины). К работам с асбестосодержащим материалом должны допускаться только специалисты.

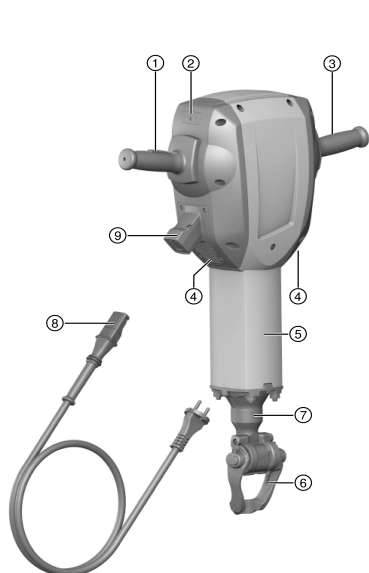
Электрическая безопасность

- ▶ Перед началом работы проверяйте рабочее место на наличие скрытой электропроводки, газо- и водопроводных труб. Открытые металлические части электроинструмента могут стать проводниками электрического тока, если случайно задеть (повредить) электропроводку.
- ▶ Регулярно проверяйте кабель электропитания электроинструмента. Замена поврежденного кабеля должна осуществляться специалистом-электриком. В случае повреждения кабеля электропитания электроинструмента его следует заменить другим специально предназначенным для замены и допущенным к эксплуатации кабелем, который можно заказать через отдел по обслуживанию клиентов. Регулярно проверяйте удлинительные кабели и при наличии повреждений заменяйте их. Если во время работы кабель электропитания/удлинительный кабель был поврежден, прикасаться к нему запрещается. Выньте вилку кабеля электропитания из розетки. Поврежденные кабели электропитания и удлинительные кабели представляют опасность поражения электрическим током.
- ▶ При частой обработке токопроводящих материалов электроинструмент загрязняется, поэтому его следует регулярно сдавать в сервисный центр **Hilti** для проверки. При неблагоприятных условиях влага и пыль, скапливающиеся на поверхности электроинструмента (особенно от токопроводящих материалов), могут вызвать удар электрическим током.
- ▶ При отключении подачи электропитания следует выключить электроинструмент и вынуть вилку кабеля из сетевой розетки. Это поможет избежать непреднамеренного включения электроинструмента после возобновления подачи электропитания.



3 Описание

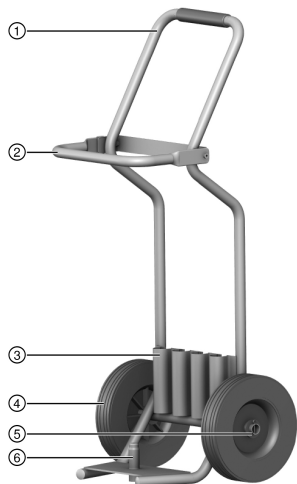
3.1 Обзор изделия



- ① Выключатель
- ② Сервисный индикатор
- ③ Рукоятка
- ④ Вентиляционные прорези
- ⑤ Направляющая трубка
- ⑥ Фиксатор/фиксирующая скоба
- ⑦ Зажимной патрон
- ⑧ Кабель электропитания с разъемным штеккерным соединителем с кодировкой
- ⑨ Разъем на электроинструменте



3.2 Детали транспортировочной тележки 2



- ① Рукоятка
- ② Стопорная скоба
- ③ Держатель для расходного материала (зубил)
- ④ Колеса
- ⑤ Крепление колеса (шайба, шплинт)
- ⑥ Зажимная оправка

3.3 Использование по назначению

Данное изделие представляет собой ручной отбойный молоток с зажимным патроном с внутренним шестигранником 28 мм. Он предназначен для долбежных работ по бетону, кирпичной кладке и асфальту. Дополнительными областями применения отбойного молотка являются трамбование и выемка грунта.

- ▶ Его эксплуатация возможна только при напряжении и частоте электросети, которые соответствуют указанным на заводской табличке.

3.4 Возможное использование не по назначению

Это изделие не предназначено для обработки опасных для здоровья материалов.

Это изделие не предназначено для выполнения работ во влажной среде.

3.5 Сервисный индикатор

Отбойный молоток оснащен сервисным индикатором со световым сигналом.

Состояние	Значение
Сервисный индикатор горит красным.	Срок службы электроинструмента достиг предела, при котором требуется сервисное обслуживание. Неисправности в электроинструменте
Сервисный индикатор мигает красным.	Сработала защита от перегрева. Слишком высокое напряжение электропитания.



Своевременно доставляйте электроинструмент в сервисный центр **Hilti**. Благодаря этому обеспечивается его постоянная готовность к работе.



3.6 Active Vibration Reduction (AVR)

Отбойный молоток оснащен системой Active Vibration Reduction (AVR), которая обеспечивает заметное снижение уровня вибрации.

3.7 Комплект поставки

Отбойный молоток, руководство по эксплуатации, консистентная смазка.

Транспортировочная тележка предлагается в виде опции.

Другие системные принадлежности, допущенные для использования с этим изделием, спрашивайте в сервисном центре **Hilti** или смотрите на сайте www.hilti.group

4 Технические данные

Номинальное напряжение, номинальный ток, частота и/или номинальная потребляемая мощность указаны на заводской табличке (данные могут отличаться в зависимости от экспортного исполнения).

При запитывании от генератора/трансформатора его выходная мощность должна быть как минимум вдвое выше номинальной потребляемой мощности, которая указана на заводской табличке электроинструмента. Рабочее напряжение трансформатора или генератора должно всегда находиться в диапазоне между +5 % и -15 % номинального напряжения электроинструмента.

	TE 3000-AVR
Масса согласно методу ЕРТА 01	29,9 кг
Энергия одиночного удара согласно методу ЕРТА	68 Дж
Температура хранения	-20 °C ... 70 °C
Температура окружающей среды при эксплуатации	-17 °C ... 60 °C

4.1 Данные по шуму и вибрациям согласно EN 62841

Приводимые здесь значения уровня звукового давления и вибрации были измерены согласно стандартизированной процедуре измерения и могут использоваться для сравнения электроинструментов между собой. Они также подходят для предварительной оценки вредных воздействий.

Указанные данные применимы к основным областям применения электроинструмента. Однако, если электроинструмент используется для других целей, с другими рабочими (сменными) инструментами или в случае его неудовлетворительного технического обслуживания, данные могут быть иными. Вследствие этого в течение всего периода работы электроинструмента возможно значительное увеличение вредных воздействий.

Для точного определения вредных воздействий следует также учитывать промежутки времени, в течение которых электроинструмент находится в выключенном состоянии или работает вхолостую. Вследствие этого в течение всего периода работы электроинструмента возможно заметное уменьшение вредных воздействий.

Примите дополнительные меры безопасности для защиты пользователя от воздействия возникающего шума и/или вибраций, например: техническое обслуживание электроинструмента и рабочих (сменных) инструментов, сохранение тепла рук, правильная организация рабочих процессов.

Данные о шуме

Уровень звуковой мощности (L_{WA})	105 дБ(А)
Погрешность уровня звуковой мощности (K_{WA})	3 дБ(А)
Уровень звукового давления (L_{pA})	94 дБ(А)
Погрешность уровня звукового давления (K_{pA})	3 дБ(А)

Данные о вибрации

Долбление ($a_{h, Cheq}$)	7 м/с ²
Коэффициент погрешности (К)	1,5 м/с ²



4.2 Использование удлинительного кабеля

ПРЕДУПРЕЖДЕНИЕ

Опасность вследствие поврежденных кабелей! При повреждении кабеля электропитания или удлинительного кабеля во время работы ни в коем случае не прикасайтесь к ним. Выньте вилку кабеля электропитания из розетки.

- ▶ Регулярно проверяйте кабель электропитания электроинструмента. Замена поврежденного кабеля должна осуществляться специалистом-электриком.
- Используйте только подходящие для данной области применения удлинительные кабели с достаточным сечением. В противном случае возможна потеря мощности электроинструмента и перегрев кабеля.
- Регулярно проверяйте, не поврежден ли удлинительный кабель.
- Поврежденные удлинительные кабели немедленно заменяйте.
- При выполнении работ вне помещений используйте только допущенные к эксплуатации удлинительные кабели с соответствующей маркировкой.

Рекомендуемые минимально допустимое сечение и максимальная длина кабеля при напряжении сети 120 В

Кабель	AWG 16	AWG 14	AWG 12	AWG 10
Сечение провода	1,31 mm ²	2,08 mm ²	3,31 mm ²	5,26 mm ²
Сечение провода	2,58 kcmil	4,11 kcmil	6,53 kcmil	10,4 kcmil
Длина кабеля	25 m	30 m	50 m	100 m
Длина кабеля	75 ft	100 ft	150 ft	250 ft

5 Управление

5.1 Подготовка к работе

ОСТОРОЖНО

Опасность травмирования! Непреднамеренное включение электроинструмента

- ▶ Перед регулировкой электроинструмента или заменой принадлежностей вынимайте вилку из розетки электросети.

Соблюдайте указания по технике безопасности и предупреждающие указания, приводимые в данном документе и на изделии.

5.1.1 Установка рабочего инструмента

Перед каждым использованием проверяйте рабочий инструмент на отсутствие повреждений и неравномерный износ, при необходимости заменяйте его. Проверяйте фиксирующую скобу на отсутствие загрязнений и повреждений.

1. Слегка смажьте хвостовик рабочего инструмента.
2. Разблокируйте фиксирующую скобу.
3. Установите рабочий инструмент до упора в зажимной патрон.
4. В случае рабочих инструментов с буртиком установите фиксирующую скобу в положение А.
5. В случае рабочих инструментов с пазом установите фиксирующую скобу в положение В.
 - ↳ Установите зубило таким образом, чтобы паз был направлен в сторону положения В.
6. Потяните рабочий инструмент на себя, чтобы удостовериться, что он надежно закреплен в фиксаторе (зажимном патроне).
 - ↳ Рабочие инструменты с буртиком и пазом могут фиксироваться в положении А или В.

Используйте только оригинальную пластичную смазку фирмы **Hilti**. Использование неподходящей пластичной смазки может стать причиной повреждений электроинструмента.



5.1.2 Извлечение рабочего инструмента 4

ПРЕДУПРЕЖДЕНИЕ

Опасность травмирования Рабочий инструмент по ходу работы может нагреваться. Кроме того, он может иметь острые кромки.

- ▶ При замене рабочего инструмента надевайте защитные перчатки.

ОПАСНО

Опасность возгорания Опасность вследствие контакта нагретого рабочего инструмента с легковоспламеняющимися материалами

- ▶ Не размещайте нагретый рабочий инструмент на легковоспламеняющихся материалах.

ПРЕДУПРЕЖДЕНИЕ

Опасность травмирования Опасность получения ожогов вследствие нагретых поверхностей.

- ▶ Избегайте непосредственного контакта с направляющей трубкой, так как в ходе работы она нагревается.

1. Разблокируйте фиксирующую скобу.
2. Вытяните рабочий инструмент из зажимного патрона.

5.2 Съёмный кабель электропитания

ОСТОРОЖНО

Опасность травмирования вследствие токов (поверхностной) утечки при загрязнении контактов

- ▶ Разъёмный штекерный соединитель следует подключать к электроинструменту только в чистом, сухом и обесточенном состоянии.

- ▶ Подсоедините/отсоедините съёмный кабель электропитания.

5.2.1 Подсоединение съёмного кабеля электропитания

ОСТОРОЖНО

Опасность травмирования вследствие токов (поверхностной) утечки при загрязнении контактов

- ▶ Разъёмный штекерный соединитель следует подключать к электроинструменту только в чистом, сухом и обесточенном состоянии.

1. Вставьте разъёмный штекерный соединитель с кодировкой до упора в соответствующий разъём на электроинструменте (при правильной фиксации раздастся характерный щелчок).
2. Вставьте вилку кабеля электропитания в розетку.

5.2.2 Отсоединение съёмного кабеля электропитания от электроинструмента

1. Выньте вилку кабеля электропитания из розетки.
2. Нажмите кнопку фиксации и вытяните разъёмный штекерный соединитель с кодировкой.
3. Отсоедините кабель электропитания от электроинструмента.

6 Уход и техническое обслуживание

ПРЕДУПРЕЖДЕНИЕ

Опасность травмирования при установленном аккумуляторе !

- ▶ Перед проведением любых работ по уходу и обслуживанию всегда извлекайте аккумулятор!

Уход за электроинструментом

- Осторожно удаляйте налипшую грязь.
- Осторожно очищайте вентиляционные прорези сухой щеткой.
- Очищайте корпус только с использованием слегка увлажненной ткани. Не используйте средства по уходу с содержанием силикона, так как они могут повредить пластмассовые детали.

Уход за литий-ионными аккумуляторами

- Аккумулятор должен быть чистым, без следов масла и смазки.



- Очищайте корпус только с помощью слегка увлажненной ткани. Не используйте средства по уходу с содержанием силикона, так как они могут повредить пластмассовые детали.
- Не допускайте попадания влаги внутрь инструмента.

Техническое обслуживание

- Регулярно проверяйте все видимые части электроинструмента на отсутствие повреждений, а элементы управления — на исправное функционирование.
- При повреждениях и/или функциональных сбоях не используйте электроинструмент. Сразу сдавайте его в сервисный центр **Hilti** для ремонта.
- После ухода за электроинструментом и его технического обслуживания установите все защитные приспособления на место и проверьте их исправное функционирование.

Для обеспечения безопасной эксплуатации используйте только оригинальные запасные части и расходные материалы. Допущенные нами запасные части, расходные материалы и принадлежности для данного устройства вы можете найти в **Hilti Store** или на сайте **www.hilti.group**.

7 Транспортировка и хранение

- Транспортировка электроинструмента с установленным рабочим инструментом запрещается.
- Храните электроинструмент всегда с вынутой вилкой кабеля.
- Храните электроинструмент в сухом виде в недоступном для детей и других лиц, не допущенных к работе с данным электроинструментом, месте.
- После продолжительной транспортировки или длительного хранения перед использованием проверяйте электроинструмент на отсутствие повреждений.

8 Помощь при неисправностях

В случае неисправностей, которые не указаны в этой таблице или которые вы не можете устранить самостоятельно, обращайтесь в ближайший сервисный центр **Hilti**.

8.1 Поиск и устранение неисправностей

Неисправность	Возможная причина	Решение
Отбойный молоток не включается.	Выполняется инициализация электроники (до 4 с с момента подключения вилки кабеля). Активирована электронная блокировка пуска после сбоя в электропитании.	▶ Выключите электроинструмент, а затем снова включите его.
	Отсутствует/прервано электропитание.	▶ Вставьте другой электроинструмент и проверьте функционирование.
	Генератор в режиме ожидания	▶ Подключите к генератору второй потребитель (например, прожектор для стройплощадок). Выключите электроинструмент, а затем снова включите его.
Сервисный индикатор горит красным.	Неправильно подключен съемный кабель электропитания.	▶ Правильно подсоедините съемный кабель электропитания к электроинструменту.
	Инструмент поврежден, или срок его службы достиг предела, при котором требуется сервисное обслуживание.	▶ Сдавайте инструмент в ремонт только в сервисный центр Hilti .
Сервисный индикатор мигает красным.	Слишком высокое напряжение электропитания.	▶ Подключите электроинструмент к другой сетевой розетке. Проверьте электросеть.



Неисправность	Возможная причина	Решение
Сервисный индикатор мигает красным.	Сработала защита от перегрева.	► Дайте электроинструменту остыть. Очистите вентиляционные прорези. Работа на холостом ходу допускается.
Нет удара.	Электроинструмент слишком холодный.	► Установите отбойный молоток на основание и дайте ему поработать в холостом режиме. При необходимости повторяйте процедуру, пока не заработает ударный механизм.
Отбойный молоток не работает или выключается в процессе работы.	Удлинительный кабель слишком длинный и/или имеет недостаточное сечение.	► Используйте удлинительный кабель допустимой длины и/или с достаточным сечением.

9 Утилизация

Большинство материалов, из которых изготовлены электроинструменты **Hilti**, подлежат вторичной переработке. Перед утилизацией следует тщательно рассортировать материалы (для удобства их последующей переработки). Во многих странах фирма **Hilti** уже организовала прием старых (электро)инструментов (изделий) для утилизации. Дополнительную информацию по этому вопросу можно получить в отделе по обслуживанию клиентов или у консультантов по продажам фирмы **Hilti**.



- Не выбрасывайте электрические инструменты, электронные устройства/приборы и аккумуляторы вместе с обычным мусором!

10 RoHS (Директива об ограничении применения опасных веществ)

По этой ссылке доступна таблица опасных веществ: qr.hilti.com/r4783.

Ссылку в виде QR-кода на таблицу опасных веществ согласно директиве RoHS см. в конце этого документа.

11 Гарантия производителя

- С вопросами относительно гарантийных условий обращайтесь в ближайшее представительство **Hilti**.



1 Інформація про документацію

1.1 Інформація про цей документ

- Перш ніж розпочинати роботу з інструментом, прочитайте цей документ. Це є передумовою безпечної роботи та відсутності несправностей під час застосування інструмента.
- Дотримуйтеся попереджувальних вказівок та вказівок з техніки безпеки, наведених у цьому документі та на корпусі інструмента.
- Завжди зберігайте інструкцію з експлуатації поблизу інструмента та передавайте інструмент іншим особам лише разом з інструкцією.

1.2 Пояснення символів

1.2.1 Попереджувальні вказівки

Попереджувальні вказівки інформують користувача про фактори небезпеки, пов'язані із застосуванням інструмента. Використовуються такі сигнальні слова:

НЕБЕЗПЕКА

НЕБЕЗПЕКА !

- Указує на безпосередню небезпеку, що може призвести до отримання тяжких тілесних ушкоджень або навіть до смерті.

ПОПЕРЕДЖЕННЯ

ПОПЕРЕДЖЕННЯ !

- Указує на потенційно небезпечну ситуацію, яка може призвести до отримання тяжких тілесних ушкоджень або навіть смерті.





ОБЕРЕЖНО

ОБЕРЕЖНО !

- Указує на потенційно небезпечну ситуацію, яка може призвести до отримання легких тілесних ушкоджень та до матеріальних збитків.


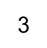


1.2.2 Символи у документі

У цьому документі використовуються такі символи:

	Перед використанням прочитайте інструкцію з експлуатації
	Указівки щодо експлуатації та інша корисна інформація
	Поводження з матеріалами, придатними для вторинної переробки
	Не викидайте електроінструменти і акумуляторні батареї у баки для побутового сміття

1.2.3 Символи на ілюстраціях

На ілюстраціях використовуються такі символи:

	Цифрами позначаються відповідні ілюстрації, наведені на початку цієї інструкції
	Нумерація відображає послідовність робочих кроків на ілюстраціях та може відрізнятися від нумерації у тексті
	Номера позицій, наведені на оглядовій ілюстрації , відповідають номерам у легенді, що представлена у розділі « Огляд продукту »
	Цей символ позначає аспекти, на які слід звернути особливу увагу під час застосування інструмента.



1.3 Символи на інструменті

1.3.1 Символи на інструменті

На інструменті можуть бути наведені такі символи:

	Клас захисту II (подвійна ізоляція)
	Транспортування інструмента за допомогою підйомного крана заборонено
	Бездротова передача даних

1.4 Інформація про інструмент

Інструменти **Hilti** призначені для професійного використання, а тому їхню експлуатацію, технічне обслуговування та ремонт слід доручати лише авторизованому персоналу зі спеціальною підготовкою. Цей персонал повинен бути спеціально проінструктований про можливі ризики. Інструмент та допоміжне приладдя можуть стати джерелом небезпеки у разі їхнього неправильного застосування некваліфікованим персоналом або у разі використання не за призначенням.

Тип та серійний номер зазначені на заводській табличці.

- ▶ Перепишіть серійний номер у наведену нижче таблицю. При оформленні запитів до нашого представництва та до сервісної служби вказуйте інформацію про інструмент.

Інформація про інструмент → стор. 107

Інформація про інструмент

Відбійний молоток	TE 3000-AVR
Версія	01
Серійний номер	

1.5 Сертифікат відповідності

Зі всією належною відповідальністю заявляємо, що описаний у цьому документі інструмент відповідає діючим директивам і стандартам. Копія сертифіката відповідності наведена у кінці цього документа.

Технічна документація зазначена нижче:

Hilti Entwicklungsgesellschaft mbH | Zulassung Geräte | Hiltistraße 6 | 86916 Kaufering, DE

2 Безпека

2.1 Загальні вказівки з техніки безпеки при роботі з електроінструментами

⚠ ПОПЕРЕДЖЕННЯ. Уважно прочитайте всі вказівки та інструкції з техніки безпеки. Щонайменше недотримання вказівок та інструкцій з техніки безпеки може призвести до ураження електричним струмом, займання та/або отримання тяжких травм.

Збережіть всі інструкції та вказівки з техніки безпеки – вони можуть знадобитися Вам у майбутньому.

Термін «електроінструмент», який використовується у вказівках з техніки безпеки, позначає як електроінструменти, що працюють від електричної мережі (із кабелем живлення), так і електроінструменти, що працюють від акумуляторної батареї (без кабелю живлення).

Безпека на робочому місці

- ▶ **Дбайте про чистоту та достатнє освітлення робочого місця.** Безлад на робочому місці та недостатнє освітлення можуть стати причиною нещасних випадків.
- ▶ **Не працюйте з електроінструментом у вибухонебезпечному середовищі, що містить легкозаймисті рідини, гази або пил.** Під час роботи електроінструментів утворюються іскри, від яких можуть зайнятися легкозаймисті випари або пил.
- ▶ **Подбайте про те, щоб під час використання електроінструмента поблизу не було дітей та сторонніх осіб.** Щонайменше відволікання може призвести до втрати контролю над інструментом.

Електрична безпека

- ▶ **Штепсельна вилка електроінструмента повинна підходити до розетки живлення. Забороняється вносити зміни до конструкції штепсельної вилки. Не дозволяється застосовувати перемішані штепсельні вилки в електроінструментах із захисним заземленням.** У разі використання



оригінальних штепсельних вилок і відповідних розеток знижується ризик ураження електричним струмом.

- ▶ **Під час роботи намагайтеся не торкатися заземлених поверхонь, наприклад труб, радіаторів опалення, печей та холодильників.** Якщо Ваше тіло перебуває в контакті із системою заземлення, існує підвищений ризик ураження електричним струмом.
- ▶ **Захищайте електроінструменти від дощу та вологи.** У разі проникнення води в електроінструмент підвищується ризик ураження електричним струмом.
- ▶ **Використовуйте кабель тільки за призначенням, не переносьте за нього електроінструмент, не користуйтеся ним для підвішування інструмента та не тримайтеся за нього, дістаючи штепсельну вилку з розетки. Оберігайте кабель від впливу високих температур, від дії мастил, гострих кромок або рухомих частин інструмента.** Пошкоджені або заплутані кабелі підвищують ризик ураження електричним струмом.
- ▶ **Працюючи з електроінструментом під відкритим небом, використовуйте лише подовжувальний кабель, придатний для зовнішнього застосування.** Використання подовжувального кабелю, призначеного для зовнішнього застосування, зменшує ризик ураження електричним струмом.
- ▶ **Якщо неможливо уникнути експлуатації електроінструмента за умов підвищеної вологості, використовуйте автомат захисту від струмів витоку.** Використання автомата захисту від струму витоку зменшує ризик ураження електричним струмом.

Безпека персоналу

- ▶ **Будьте уважними, зосередьтеся на виконуваній операції, до роботи з електроінструментом ставтеся серйозно. Не користуйтеся електроінструментом, якщо Ви втомлені або перебуваєте під дією наркотичних речовин, алкоголю або лікарських засобів.** Під час роботи з електроінструментом не відволікайтеся ні на мить, оскільки це може призвести до отримання серйозних травм.
- ▶ **Використовуйте засоби індивідуального захисту і завжди надягайте захисні окуляри.** Використання засобів індивідуального захисту, наприклад респіратора, захисного взуття на нековзній підшві, захисного шолома або шумозахисних навушників – залежно від різновиду електроінструмента та особливостей його застосування – зменшує ризик травмування.
- ▶ **Уникайте випадкового вмикання електроінструмента. Переконайтеся в тому, що електроінструмент вимкнений, перш ніж вставляти штепсельну вилку в розетку живлення та/або приєднувати акумулятор, підняти електроінструмент або переносити його.** Якщо під час перенесення електроінструмента тримати палець на вимикачі або приєднувати інструмент до джерела живлення увімкненням, це може призвести до нещасного випадку.
- ▶ **Перш ніж вмикати електроінструмент, від'єднайте від нього все налагоджувальне приладдя або гайкові ключі.** Приладдя або ключ, що знаходяться в обертovому вузлі інструмента, можуть стати причиною отримання травм.
- ▶ **Уникайте виконання роботи в незручній позі. Під час виконання робіт ставайте в стійку позу і намагайтеся повсякчас утримувати рівновагу.** Це дозволить Вам більш упевнено контролювати електроінструмент у разі виникнення несподіваних обставин.
- ▶ **Надягайте відповідний робочий одяг. Не надягайте для роботи занадто просторий одяг та прикраси. Слідкуйте за тим, щоб волосся, одяг та робочі рукавиці знаходилися подалі від обертovих частин інструмента.** Просторий одяг, прикраси або довге волосся можуть бути захоплені рухомими частинами інструмента.
- ▶ **Якщо передбачена можливість установити систему пиловидалення та пилозбірники, обов'язково переконайтеся в тому, що вони правильно приєднані й використовуються належним чином.** Застосування системи видалення пилу дозволяє зменшити негативний вплив пилу на персонал.

Використання електроінструмента та належний догляд за ним

- ▶ **Не допускайте перевантаження інструмента. Завжди використовуйте електроінструмент, призначений для виконання відповідної роботи.** При використанні належного електроінструмента забезпечуються більш висока якість та безпека виконання робіт у вказаному діапазоні продуктивності.
- ▶ **Не використовуйте електроінструмент із пошкодженим вимикачем.** Електроінструмент, який неможливо вмикати або вимикати, є небезпечним і підлягає ремонту.
- ▶ **Перш ніж розпочинати налаштування інструмента, виконувати заміну приладдя або робити перерву в роботі, не забудьте вийняти штепсельну вилку з розетки та/або вийняти з інструмента акумуляторну батарею.** Такий запобіжний захід допоможе уникнути випадкового вмикання електроінструмента.
- ▶ **Електроінструменти, що не використовуються, зберігайте в недоступному для дітей місці. Не дозволяйте користуватися інструментом особам, які не ознайомлені з інструментом або не**



читали ці інструкції. У руках недосвідчених людей електроінструменти являють собою серйозну небезпеку.

- ▶ **Електроінструменти потребують дбайливого догляду. Ретельно перевіряйте, чи бездоганно працюють та чи не заклинюють рухомі частини, чи не зламалися або не зазнали інших пошкоджень деталі, від яких залежить справна робота електроінструмента. Перед початком роботи з інструментом пошкоджені деталі слід відремонтувати.** Багатьох нещасних випадків можна уникнути за умови належного технічного обслуговування електроінструментів.
- ▶ **Слідкуйте за тим, щоб ріжучі інструменти завжди залишалися чистими та належним чином заточеними.** Дбайливо доглянутий ріжучий інструмент із гострими різальними кромками не так часто заклинюється, і ним легше працювати.
- ▶ **Під час експлуатації електроінструмента, приладдя до нього, робочих інструментів тощо дотримуйтесь наведених у цьому документі вказівок. При цьому завжди враховуйте умови в місці виконання робіт та дії, яких вимагає поставлене завдання.** Використання електроінструментів не за призначенням може призвести до виникнення небезпечних ситуацій.

Сервісне обслуговування

- ▶ **Доручайте ремонт електроінструмента лише кваліфікованому персоналу зі спеціальною підготовкою за умови використання тільки оригінальних запасних частин.** Це забезпечить функціональність електроінструмента.

2.2 Вказівки з техніки безпеки стосовно роботи з перфоратором

- ▶ **Використовуйте захисні навушники.** Тривалий вплив шуму може призвести до втрати слуху.
- ▶ **Використовуйте додаткові рукоятки, що входять до комплекту постачання інструмента.** Адже втрата контролю над інструментом може стати причиною травмування.
- ▶ **Якщо під час виконання робіт змінний робочий інструмент може натрапити на приховану електропроводку або кабель живлення, утримуйте інструмент за ізоляовану поверхню рукоятки.** У разі контакту з електричним дротом, який знаходиться під напругою, металеві деталі інструмента також потраплять під напругу, а це може призвести до ураження електричним струмом.

2.3 Додаткові вказівки з техніки безпеки

Безпека персоналу

- ▶ Користуйтеся лише повністю справним інструментом.
- ▶ Вносити будь-які зміни до конструкції інструмента заборонено.
- ▶ Під час наскрізного свердління укріпіть відповідну ділянку поверхні з протилежного боку деталі. Осколки можуть розлітатися у різні боки та/або вниз і травмувати інших людей.
- ▶ Переконайтеся в тому, що бокова рукоятка правильно змонтована і належним чином закріплена. Завжди міцно тримайте інструмент обома руками за передбачені для цього рукоятки. Слідкуйте за тим, щоб рукоятки були чистими та сухими, та не допускайте їхнього забруднення мастилом.
- ▶ Працюйте з перервами та виконуйте вправи на розминання пальців, щоб покращити кровообіг у них. Під час довготривалих робіт вібрація може пошкодити судини або нерви у пальцях, руках або зап'ясткових суглобах.
- ▶ Використання інструмента вимагає певної фізичної сили. Крім того, інструмент не призначений для використання особами, які не пройшли належний інструтаж.
- ▶ Зберігайте інструмент у недоступному для дітей місці.
- ▶ Перш ніж розпочинати роботу, з'ясуйте клас небезпеки пилу, що при цьому буде утворюватися. Використовуйте будівельний пилосос затвердженого класу захисту, що відповідає місцевим вимогам щодо захисту від пилу.
- ▶ За можливості використовуйте систему видалення пилу та відповідний пересувний пилосос. Пил, що містить такі матеріали, як фарби із вмістом свинцю, тирсу деяких порід деревини, бетон, цеглу, кварцові гірські породи і мінерали, а також метал, може бути шкідливим для здоров'я.
- ▶ Подбайте про належну вентиляцію робочого місця та користуйтеся респіратором, який підходить до матеріалу, що обробляється. У разі контакту з таким пилом або при його вдиханні у користувача електроінструмента та у людей, що знаходяться поблизу, можуть виникнути алергійні реакції та/або захворювання дихальних шляхів. Деякі різновиди пилу, наприклад деревини дуба і бука, вважаються канцерогенними, особливо у поєднанні з речовинами для обробки деревини (хроматом, засобами для захисту деревини). До обробки матеріалів, що містять азбест, допускаються лише фахівці зі спеціальною підготовкою.

Електрична безпека

- ▶ Перед початком роботи перевіряйте робоче місце на наявність прихованих електричних кабелів, газових та водопровідних труб. Якщо Ви під час роботи випадково пошкодите електричні кабелі,

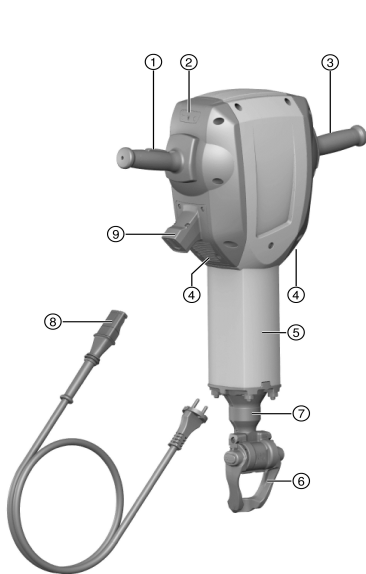


контакт з відкритими металевими деталями інструмента може спричинити ураження електричним струмом.

- ▶ Регулярно перевіряйте з'єднувальний кабель інструмента і в разі його пошкодження забезпечте його заміну фахівцем-електриком. Якщо з'єднувальний кабель електроінструмента зазнав пошкодженнь, його необхідно замінити на спеціально налагоджений і затверджений з'єднувальний кабель, який можна замовити у службі сервісного обслуговування. Регулярно перевіряйте стан подовжувальних кабелів і замінюйте їх у разі пошкодження. Якщо під час роботи було пошкоджено кабель живлення або подовжувальний кабель, до них заборонено навіть торкатися. Вийміть з розетки штепсельну вилку кабелю живлення. Пошкоджені дроти живлення та подовжувальні кабелі становлять серйозну небезпеку ураження електричним струмом.
- ▶ У разі частішої обробки електропровідних матеріалів регулярно здавайте забруднені електроінструменти на перевірку до сервісної служби компанії **Hilti**. Якщо на поверхні інструмента накопичується волога та пил, особливо від струмопровідних матеріалів, це може за несприятливих умов призвести до ураження електричним струмом.
- ▶ У разі перебою в електроживленні вимкніть інструмент і вийміть його штепсельну вилку з розетки. Це допоможе уникнути випадкового увімкнення інструмента після відновлення живлення в електромережі.

3 Опис

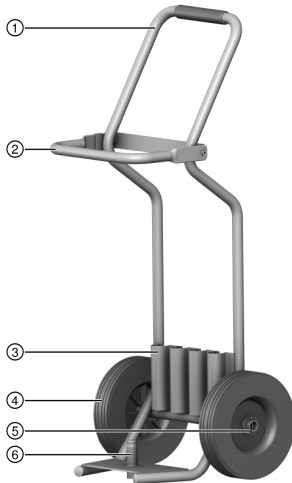
3.1 Огляд продукту



- ① Вимикач
- ② Сервісний індикатор
- ③ Ручка
- ④ Вентиляційні прорізи
- ⑤ Напрямна труба
- ⑥ Фіксатор змінного робочого інструмента / затискна скоба
- ⑦ Затискний патрон
- ⑧ Кабель живлення із рознімним з'єднувачем спеціальної форми
- ⑨ Роз'єм на електроінструменті



3.2 Елементи конструкції транспортного візка 2



- ① Ручка
- ② Скоба-фіксатор
- ③ Тримач для видаткового матеріалу (зубила)
- ④ Ходові коліщата
- ⑤ Стопор коліщати (шайба, шплінт)
- ⑥ Оправка для насаджування інструмента

3.3 Використання за призначенням

Описаний у цьому документі інструмент являє собою ручний відбійний молоток із шестиграним затискним патроном (28 мм). Інструмент призначений для довбальних робіт на бетоні, цегляній кладці та асфальті. Інструмент також може використовуватися для трямбування та риття.

- Експлуатація інструмента можлива лише за умови, що напруга і частота мережі живлення відповідають значенням, вказаним на заводській табличці.

3.4 Можливі варіанти неналежного використання

Цей інструмент не призначений для обробки матеріалів, що становлять небезпеку для здоров'я людини. Цей інструмент не призначений для використання у вологому середовищі.

3.5 Сервісний індикатор

Відбійний молоток оснащений сервісним індикатором зі світловим сигналом.

Стан	Значення
Сервісний індикатор горить червоним.	Інструмент потребує планового технічного обслуговування. Інструмент вийшов з ладу.
Сервісний індикатор мигає червоним.	Система захисту від перегрівання Занадто висока напруга джерела електроживлення.

Своєчасно передавайте інструмент до сервісної служби компанії **Hilti**. У цьому випадку він завжди буде готовий до роботи.



3.6 Active Vibration Reduction (AVR)

Відбійний молоток оснащений системою Active Vibration Reduction (AVR), яка значно зменшує рівень вібрації.

3.7 Комплект постачання

Відбійний молоток, інструкція з експлуатації, мастило.

Транспортний візок пропонується у якості додаткового приладдя.

З іншим приладдям, допущеним до експлуатації з Вашим інструментом, Ви можете ознайомитися у найближчому сервісному центрі **Hilti** або на веб-сайті **www.hilti.group**

4 Технічні дані

Номінальна напруга, номінальний струм, частота та/або номінальна споживана потужність вказані на заводській табличці інструмента, передбаченій для Вашої країни.

Якщо живлення інструмента здійснюється від генератора або трансформатора, то його вихідна потужність має принаймні вдвічі перевищувати номінальну споживану потужність, вказану на заводській табличці інструмента. Робоча напруга трансформатора або генератора повинна постійно перебувати у межах від +5 % до -15 % від номінальної напруги інструмента.

	TE 3000-AVR
Маса згідно з процедурою EPTA 01	29,9 кг
Енергія поодинокого удару згідно з процедурою EPTA	68 Дж
Температура зберігання	-20 °C ... 70 °C
Температура навколишнього середовища під час роботи	-17 °C ... 60 °C

4.1 ГДані про шум та значення вібрації, виміряні згідно зі стандартом EN 62841

Наведені у цих рекомендаціях значення звукового тиску та вібрації були виміряні згідно з установленою процедурою вимірювання та можуть використовуватися для порівняння електроінструментів. Вони також придатні для попереднього оцінювання шумового та вібраційного навантаження.

Наведені дані обумовлюють переважні сфери застосування електроінструмента. Однак якщо Ви використовуєте його не за призначенням, застосовуєте нестандартне приладдя або неналежним чином здійснюєте догляд за інструментом, ці дані можуть відрізнитися від вказаних значень. Це може призвести до помітного збільшення шумового та вібраційного навантаження протягом усього робочого часу.

Для більш точної оцінки шумового та вібраційного навантаження необхідно враховувати також проміжки часу, протягом яких інструмент залишається вимкненим або працює на холостому ходу. Це може значно зменшити вібраційне та шумове навантаження протягом усього робочого часу.

Необхідно також вживати додаткових заходів безпеки з метою захисту працівників від дії шуму та/або вібрації, зокрема: проводити своєчасне технічне обслуговування електроінструмента та змінних робочих інструментів до нього, утримувати руки у теплі, належним чином організувати робочий процес.

Дані про шум

Рівень шумової потужності (L_{WA})	105 дБ(А)
Похибка для рівня шумової потужності (K_{WA})	3 дБ(А)
Рівень звукового тиску (L_{pA})	94 дБ(А)
Похибка для рівня звукового тиску (K_{pA})	3 дБ(А)

Дані про вібрацію

Довбання отворів ($a_{h, cheq}$)	7 м/с ²
Похибка (К)	1,5 м/с ²



4.2 Використання подовжувального кабелю

ПОПЕРЕДЖЕННЯ

Небезпека через пошкодження кабелю! Якщо під час роботи було пошкоджено кабель живлення або подовжувальний кабель, торкатися до них заборонено. Вийміть штепсельну вилку кабелю живлення з розетки.

- ▶ Регулярно перевіряйте з'єднувальний кабель інструмента. Якщо Ви виявили його пошкодження зверніться до фахівця-електрика, щоб замінити кабель.
- Використовуйте тільки дозволені для цієї області застосування подовжувальні кабелі з достатнім поперечним перерізом дроту. Інакше може спостерігатися зниження потужності інструмента і перегрівання кабелю.
- Регулярно перевіряйте подовжувальний кабель на наявність пошкоджень.
- Пошкоджені подовжувальні кабелі підлягають заміні.
- Для зовнішніх робіт застосовуйте лише дозволені для експлуатації кабелі, що мають відповідне маркування.

Рекомендований мінімальний поперечний переріз та максимальна довжина кабелю при напрузі мережі у 120 В

Кабель	AWG 16	AWG 14	AWG 12	AWG 10
Поперечний переріз дроту	1,31 mm ²	2,08 mm ²	3,31 mm ²	5,26 mm ²
Поперечний переріз дроту	2,58 kcmil	4,11 kcmil	6,53 kcmil	10,4 kcmil
Довжина кабелю	25 m	30 m	50 m	100 m
Довжина кабелю	75 ft	100 ft	150 ft	250 ft

5 Експлуатація

5.1 Підготовка до роботи

ОБЕРЕЖНО

Ризик отримання травм! Випадкове увімкнення інструмента.

- ▶ Виймайте штепсельну вилку кабелю живлення з розетки, перш ніж задавати налаштування інструмента або замінювати приладдя.

Дотримуйтеся попереджувальних вказівок та вказівок з техніки безпеки, наведених у цьому документі та на корпусі інструмента.

5.1.1 Установлення змінного робочого інструмента

Перш ніж розпочинати роботу, завжди перевіряйте робочий інструмент на наявність пошкоджень та нерівномірного зношення; за необхідності замініть робочий інструмент. Перевірте затискну скобу на наявність бруду або пошкоджень.

1. Нанесіть мастило тонким шаром на хвостовик змінного робочого інструмента.
2. Відкрийте затискну скобу.
3. Уставте змінний робочий інструмент у затискний патрон до упору.
4. Зафіксуйте затискну скобу у положенні А, якщо використовується робочий інструмент із буртиком.
5. Зафіксуйте затискну скобу у положенні В, якщо використовується робочий інструмент із пазом.
 - ↳ Розташуйте зубило таким чином, щоб паз був спрямований до положення В.
6. Потягніть змінний робочий інструмент до себе, щоб упевнитися в тому, що він надійно зафіксований у патроні.
 - ↳ Робочий інструмент для комбінованого кріплення (із буртиком і пазом) може бути зафіксований на вибір у положенні А і В.

Використовуйте лише оригінальне мастило виробництва компанії **Hilti**. Використання невідповідного консистентного мастила може спричинити несправність виробу.



5.1.2 Виймання змінного робочого інструмента 4

ПОПЕРЕДЖЕННЯ

Ризик отримання травм У процесі використання робочий інструмент нагрівається. Крім того, можна поранитися об його гострі кромки.

- ▶ Під час заміни робочого інструмента користуйтеся захисними рукавицями.

НЕБЕЗПЕКА

Небезпека пожежі Контакт гарячого робочого інструмента з легкозаймистими матеріалами становить небезпеку.

- ▶ Не кладіть на легкозаймисті матеріали змінний робочий інструмент, що сильно нагрівся під час використання.

ПОПЕРЕДЖЕННЯ

Ризик отримання травм Небезпека отримання опіків через контакт із гарячими поверхнями.

- ▶ Уникайте контакту з напрямною трубою, оскільки під час роботи вона сильно нагрівається.

1. Відкрийте затискну скобу.
2. Дістаньте змінний робочий інструмент із затискного патрона.

5.2 Знімний кабель живлення

ОБЕРЕЖНО

Ризик отримання травм внаслідок ураження струмом витоку, що утворюється через забруднення контактів.

- ▶ Рознімний з'єднувач кабелю живлення слід приєднувати до електроінструмента тільки у тому випадку, коли інструмент від'єднаний від мережі живлення та знаходиться у чистому сухому стані.
- ▶ Приєднайте/від'єднайте знімний кабель живлення.

5.2.1 Приєднання знімного кабелю живлення

ОБЕРЕЖНО

Ризик отримання травм внаслідок ураження струмом витоку, що утворюється через забруднення контактів.

- ▶ Рознімний з'єднувач кабелю живлення слід приєднувати до електроінструмента тільки у тому випадку, коли інструмент від'єднаний від мережі живлення та знаходиться у чистому сухому стані.

1. Уставте рознімний з'єднувач спеціальної форми, розташований на кінці кабелю живлення, у відповідне гніздо інструмента до упору, доки він не зафіксується із чітким характерним звуком.
2. Уставте штепсельну вилку кабелю живлення в розетку.

5.2.2 Від'єднання знімного кабелю живлення від електроінструмента

1. Вийміть штепсельну вилку кабелю живлення з розетки.
2. Натисніть кнопку блокування та вийміть рознімний з'єднувач спеціальної форми, розташований на кінці кабелю живлення.
3. Вийміть кабель живлення з інструмента.

6 Догляд і технічне обслуговування

ПОПЕРЕДЖЕННЯ

Небезпека травмування під час виконання робіт на інструменті з установленою акумуляторною батареєю !

- ▶ Завжди діставайте з інструмента акумуляторну батарею, перш ніж розпочинати будь-які роботи з догляду та технічного обслуговування!

Догляд за інструментом

- Обережно видаляйте накопичення бруду.
- Обережно прочищайте вентиляційні прорізи сухою щіткою.



- Протирайте корпус вологою тканиною. Забороняється використовувати миючі засоби, що містять силікон, оскільки вони можуть пошкодити пластмасові деталі.

Догляд за літій-іонними акумуляторними батареями

- Тримайте акумуляторну батарею у чистоті, не допускайте її забруднення мастильними матеріалами.
- Протирайте корпус вологою тканиною. Забороняється використовувати миючі засоби, що містять силікон, оскільки вони можуть пошкодити пластмасові деталі.
- Уникайте потрапляння вологи всередину інструмента.

Технічне обслуговування

- Регулярно перевіряйте усі зовнішні частини на наявність пошкоджень, а органи керування інструмента – на предмет справної роботи.
- Якщо Ви виявили пошкодження та/або порушення функціональності інструмента, припиніть його використання. негайно зверніться до сервісної служби компанії **Hilti** для здійснення ремонту.
- Після проведення догляду і технічного обслуговування встановіть усі захисні пристрої та перевірте їхню роботу.



Щоб гарантувати належну роботу інструмента, використовуйте тільки оригінальні запасні частини та видаткові матеріали. Рекомендовані запасні частини, видаткові матеріали та приладдя для Вашого інструмента Ви можете придбати у найближчому магазині **Hilti Store** або на веб-сайті www.hilti.group.

7 Транспортування та зберігання

- Забороняється транспортувати цей електроінструмент з установленим змінним робочим інструментом.
- На час зберігання електроінструмента слід завжди виймати штепсельну вилку із розетки.
- Зберігайте інструмент у сухому місці, недоступному для дітей та сторонніх осіб.
- Перш ніж використовувати інструмент після довготривалого зберігання або дальніх перевезень, його слід перевірити на наявність пошкоджень.

8 Допомога у разі виникнення несправностей

У разі виникнення несправностей, які не зазначені у цій таблиці або які Ви не можете полагодити самостійно, зверніться до сервісної служби компанії **Hilti**.

8.1 Пошук і усунення несправностей

Несправність	Можлива причина	Рішення
Відбійний молоток не вмикається.	Триває ініціалізація електронного блоку (продовжується до 4 секунд після під'єднання штекера). Електронна система блокування повторного вмикання інструмента після збою в електромережі живлення активована.	► Вимкніть інструмент, а потім увімкніть його знову.
	Збій в мережі електроживлення.	► Приєднайте інший інструмент до мережі живлення та перевірте його функціональність.
	Генератор знаходиться у режимі сну.	► Збільште навантаження на генератор, підключивши до нього ще один пристрій (наприклад, освітлювальну лампу для будівельного майданчика). Вимкніть інструмент, а потім увімкніть його знову.
	Знімний кабель живлення підключений неналежним чином.	► Належним чином підключіть до електроінструмента знімний кабель живлення.



Несправність	Можлива причина	Рішення
Сервісний індикатор горить червоним.	Інструмент пошкоджений або потребує планового технічного обслуговування.	► Ремонт інструмента повинен здійснюватися тільки у сервісній службі компанії Hilti .
Сервісний індикатор мигає червоним.	Занадто висока напруга джерела електроживлення	► Скористайтеся іншою розеткою. Перевірте стан мережі живлення.
	Спрацював захист від перегрівання.	► Дайте інструменту охолонути. Прочистіть вентиляційні прорізи. Робота на холостому ходу ще можлива.
Відсутній удар.	Інструмент занадто холодний.	► Установіть відбійний молоток на робочу поверхню та дайте йому попрацювати на холостому ходу. За необхідності повторіть операцію, доки ударний механізм не почне працювати.
Відбійний молоток не вдається увімкнути, або він вимикається під час роботи.	Подовжувальний кабель занадто довгий та / або має занадто малий поперечний переріз.	► Використовуйте подовжувальний кабель належної довжини та / або з достатнім поперечним перерізом.

9 Утилізація

Більшість матеріалів, з яких виготовлено інструменти компанії **Hilti**, придатні для вторинної переробки. Передумовою для їхньої вторинної переробки є належне сортування відходів за типом матеріалу. У багатьох країнах світу компанія **Hilti** приймає старі інструменти для їхньої утилізації. Щоб отримати додаткову інформацію з цього питання, звертайтеся до сервісної служби компанії **Hilti** або до свого торгового консультанта.



- Не викидайте електроінструменти, електронні пристрої та акумуляторні батареї у баки для побутового сміття!

10 RoHS (директива КНП про обмеження використання небезпечних речовин)

Щоб переглянути таблицю з інформацією про небезпечні речовини, будь ласка, перейдіть за таким посиланням: qr.hilti.com/r4783.

Посилання на таблицю з інформацією про речовини, включені до директиви RoHS, наведене наприкінці цього документа у вигляді QR-коду.

11 Гарантійні зобов'язання виробника

- Із питань гарантії, будь ласка, звертайтеся до Вашого місцевого партнера компанії **Hilti**.



1 Құжаттама бойынша деректер

1.1 Бұл құжаттама туралы



Импорттауыш және өндірушінің өкілетті ұйымы

- (RU) Ресей Федерациясы
"Хилти Дистрибьюшн ЛТД" АҚ, 141402, Мәскеу облысы, Химки қ., Ленинградская көш., ғим. 25
- (BY) Беларусь Республикасы
222750, Минск облысы, Дзержинский ауданы, Р-1, 18-ші км, 2 (Слободка ауылының жанында), 1-34 бөлімі
- (KZ) Қазақстан Республикасы
Қазақстан Республикасы, индекс 050011, Алматы қ., Пугачев көш., 4-үй
- (KG) Қырғыз Республикасы
"Т AND Т" ЖШҚ, 720021, Қырғызстан, Бішкек қ., Ибраимов көш., 29 А үйі
- (AM) Армения Республикасы
Эйч-Кон ЖШҚ, Армения Республикасы, Ереван қ., Бабаян көш., 10/1 үйі

Өндірілген елі: жабдықтағы белгілеу тақтайшасын қараңыз.

Өндірілген күні: жабдықтағы белгілеу тақтайшасын қараңыз.

Тиісті сертификатты мына мекенжай бойынша табуға болады: www.hilti.ru

Сақтау, тасымалдау және пайдалану шарттарына пайдалану бойынша нұсқаулықта белгіленгеннен басқа арнайы талаптар қойылмайды.

Өнімнің қызмет ету мерзімі 5 жыл.

- Іске қосу алдында осы құжаттаманы оқып шығыңыз. Бұл қауіпсіз жұмыс пен ақаусыз басқару үшін алғышарт болып табылады.
- Осы құжаттамадағы және өнімдегі қауіпсіздік және ескерту нұсқауларын орындаңыз.
- Пайдалану бойынша нұсқаулықты әрдайым өнімде сақтаңыз және оны басқа тұлғаларға тек осы нұсқаулықпен бірге тапсырыңыз.

1.2 Шартты белгілердің анықтамасы

1.2.1 Ескерту

Ескертулер өнімді қолдану барысындағы қауіптер туралы ескертеді. Төмендегі сигналдық сөздер пайдаланылады:

ҚАУІПТІ

ҚАУІПТІ !

- ▶ Ауыр жарақаттарға әкелетін немесе өмірге қауіп төндіретін тікелей қауіпті жағдайдың жалпы белгіленуі.

ЕСКЕРТУ

ЕСКЕРТУ !

- ▶ Ауыр жарақаттарға әкелуі немесе өмірге қауіп төндіруі мүмкін ықтимал қауіпті жағдайдың жалпы белгіленуі.

АБАЙЛАҢЫЗ

АБАЙЛАҢЫЗ !

- ▶ Жеңіл жарақаттарға немесе аспаптың зақымдалуына әкелуі мүмкін ықтимал қауіпті жағдайдың жалпы белгіленуі.

1.2.2 Құжаттамадағы белгілер

Бұл құжаттамада төмендегі белгілер пайдаланылады:



Пайдалану алдында пайдалану бойынша нұсқаулықты оқу қажет



	Аспапты пайдалану бойынша нұсқаулар және басқа пайдалы ақпарат
	Қайта пайдалануға болатын материалдармен жұмыс істеу
	Электр аспаптарды және аккумуляторларды тұрмыстық қоқысқа тастамаңыз

1.2.3 Суреттердегі белгілер

Суреттерде төмендегі белгілер қолданылады:

	Бұл сандар осы нұсқаулықтың басындағы әр суретке сәйкес келеді
3	Нөмірлеу суреттегі жұмыс қадамдарының реттілігін білдіреді және мәтіндегі жұмыс қадамдарынан өзгешеленуі мүмкін
	Позиция нөмірлері Шолу суретінде қолданылады және Өнімге шолу мақаласындағы шартты белгілердің нөмірлеріне сілтейді
	Аталмыш белгілер өнімді қолдану барысында айрықша назарыңызды аудартады.

1.3 Өнімдегі белгілер

1.3.1 Өнімдегі белгілер

Өнімде төмендегі белгілер пайдаланылады:

	II қорғау класы (қос изоляция)
	Кранмен тасымалдауға тыйым салынады
	Сымсыз дерек тасымалы

1.4 Өнім туралы ақпарат

Hilti өнімдері кәсіби пайдаланушыларға арналған және тек өкілетті, білікті қызметкерлермен пайдаланылуы, күтілуі және техникалық қызмет көрсетуі тиіс. Қызметкерлер қауіпсіздік техникасы бойынша арнайы нұсқау алуы керек. Өнім мен оның қосалқы құралдарын басқа мақсатта қолдану немесе олардың оқытылмаған қызметкерлердің тарапынан пайдаланылуы қауіпті.

Түр сипаттамасы мен сериялық нөмір фирмалық тақтайшада берілген.

- Сериялық нөмірді төмендегі кестеге көшіріп қойыңыз. Өнім туралы мәліметтерді өкілдігімізге немесе қызмет көрсету бөлімімізге сұрау беру арқылы алуға болады.

Өнім туралы мәліметтер → Бет 118

Өнім туралы мәліметтер

Қашайтын балға	TE 3000-AVR
Буын	01
Сериялық нөмір	

1.5 Сәйкестілік декларациясы

Біз осы нұсқаулықта сипатталған өнімнің қолданыстағы директивалар мен нормативтерге сәйкес келетінін толық жауапкершілікпен жариялаймыз. Сәйкестілік декларациясының суреті осы құжаттаманың соңында орналасқан.

Техникалық құжаттама мына жерде сақталған:

Hilti Entwicklungsgesellschaft mbH | Zulassung Geräte | Hiltistraße 6 | 86916 Kaufering, DE



2 Қауіпсіздік

2.1 Электр құралдары үшін қауіпсіздік техникасы бойынша жалпы нұсқаулар

⚠ ЕСКЕРТУ Барлық қауіпсіздік нұсқауларын және жалпы нұсқауларды оқып шығыңыз. Төменде берілген нұсқауларды орындамау электр тогының соғуына, өртке әкелуі мүмкін және/немесе ауыр жарақаттарды тудыруы мүмкін.

Қауіпсіздік техникасы бойынша барлық нұсқауларды және нұсқауларды келесі пайдаланушы үшін сақтаңыз.

Бұдан әрі қолданылатын «электр құрал» термині электр желісінен (желілік кабельмен) және аккумулятордан (желілік кабельсіз) жұмыс істейтін электр құралға қатысты.

Жұмыс орны

- ▶ **Жұмыс орнындағы тазалықты және тәртіпті қадағалаңыз.** Жұмыс орнындағы ретсіздік және нашар жарық сәтсіз жағдайларға әкелуі мүмкін.
- ▶ **Жанғыш сұйықтықтар, газдар немесе шаң бар жарылыс қаупі бар аймақта электр құралды қолданбаңыз.** Жұмыс кезінде электр құралдар ұшқындар шығады және ұшқындар шаңды немесе буларды тұтандыруы мүмкін.
- ▶ **Балалардың және бөгде адамдардың жұмыс істеп тұрған электр құралға жақындауына рұқсат етпеңіз.** Жұмысқа көңіл бөлмегенде, электр құралын бақылау жоғалуы мүмкін.

Электр қауіпсіздігі

- ▶ **Электр құралдың байланыс ашасы электр желісінің розеткасына сай болуы керек. Айырдың конструкциясын өзгертпеңіз. Қорғауыш жерге қосуы бар электр құралдарымен бірге өтпелі айырларды қолданбаңыз.** Түпнұсқа айырлар және оларға сай розеткалар электр тогының соғу қаупін азайтады.
- ▶ **Жерге қосылған беттерге, мысалы, құбырларға, жылыту құралдарына, пештерге (плиталарға) және тоңазытқыштарға тікелей тиюді болдырмаңыз.** Жерге қосылған заттарға тигенде электр тогының соғуының үлкен қаупі туындайды.
- ▶ **Электр құралдарды жаңбырдан немесе ылғал әсерінен сақтаңыз.** Электр құралға су тиюі нәтижесінде электр тогының соғу қаупі артады.
- ▶ **Кабельді басқа мақсатта қолданбаңыз, мысалы, электр құралды тасымалдау, оны іліп қою немесе электр желісінің розеткасынан айырды шығару үшін. Кабельді жоғары температуралардың, майдың, үшкір жиектердің немесе электр құралдың айналатын түйіндерінің әсерлерінен қорғаныз.** Кабельдің зақымдалуы немесе қабаттасуы нәтижесінде электр тогының соғу қаупі артады.
- ▶ **Егер жұмыстар ашық ауада орындалса, тек бөлмелерден тыс қолдануға рұқсат етілген ұзартқыш кабельдерді пайдаланыңыз.** Бөлмелерден тыс қолдануға жарамды ұзартқыш кабельді пайдалану электр тогының соғу қаупін азайтады.
- ▶ **Егер электр құралмен ылғалдылық жағдайларында жұмыс істеуді болдырмау мүмкін емес болса, шығып кететін токтан қорғау автоматын қолданыңыз.** Шығып кететін токтан қорғау автоматын қолдану электр тогының соғу қаупін азайтады.

Адамдардың қауіпсіздігі

- ▶ **Ұқыпты болыңыз, әрекеттеріңізге көңіл бөліңіз және электр құралмен жұмыс істеуге дұрыс қараңыз. Шаршаған кезде немесе әсерсізті, алкоголь не дәрі қабылдаған соң электр құралды қолданбаңыз.** Электр құралды қолданған кездегі зейінсіздік ауыр жарақаттарға апарып соғуы мүмкін.
- ▶ **Жеке қорғану құралдарын пайдаланыңыз және әрқашан міндетті түрде қорғауыш көзілдірікті киіңіз.** Электр құралының түріне және пайдалану жағдайларына байланысты жеке қорғану құралдарын, мысалы, шаңнан қорғайтын респираторды, сырғымайтын аяқ киімді, қорғауыш шлемді, естуді қорғау құралдарын қолдану жарақаттану қаупін азайтады.
- ▶ **Электр құралының кездейсоқ қосылуын болдырмаңыз. Электр қуатына қосу және/немесе аккумуляторды қою, көтеру немесе тасымалдау алдында электр құрал өшірілгеніне көз жеткізіңіз.** Электр құралды тасымалдағанда саусақтар сөндіргіште болатын немесе қосылған электр құрал желіге қосылатын жағдайлар сәтсіз жағдайларға әкелуі мүмкін.
- ▶ **Электр құралды қосу алдында реттеуші құрылғыларды және гайка кілтін алыңыз.** Электр құралдың айналатын бөлігіндегі аспап немесе кілт жарақаттарға әкелуі мүмкін.
- ▶ **Жұмыс кезінде ыңғайсыз қалыптарға тұрмауға тырысыңыз. Үнемі тұрақты күйді және тепеңдікті сақтаңыз.** Бұл күтпеген жағдайларда электр құралды жақсырақ басқаруға мүмкіндік береді.



- ▶ Арнайы киімді киіңіз. Өте бос киімді немесе әшекейлерді кимеңіз. Шашты, киімді және қолғапты электр құралдың айналатын түйіндерінен сақтаңыз. Бос киім, әшекейлер және ұзын шаш оларға ілінуі мүмкін.
- ▶ Егер шанды жинау және кетіруге арналған құрылғыларды қосу қарастырылған болса, олар қосылғанына және мақсаты бойынша қолданылып жатқанына көз жеткізіңіз. Шанды кетіру модулін пайдалану шаңның зиянды әсерін азайтады.

Электр құралды қолдану және оған қызмет көрсету

- ▶ Аспапқа шамадан тыс жүктеме түсуін болдырмаңыз. Нақ осы жұмысқа арналған электр құралды қолданыңыз. Бұл ережені сақтау көрсетілген қуат диапазонында жоғарырақ жұмыс сапасын және қауіпсіздігін қамтамасыз етеді.
- ▶ Сөндіргіші бұзылған электр құралды қолданбаңыз. Қосу немесе өшіру қиын электр құрал қауіпті және оны жөндеу керек.
- ▶ Электр құралды реттеуге, саймандарды ауыстыруға кірісу алдында немесе жұмыстағы үзіліс алдында розеткадан айырды және/немесе электр құралдан аккумуляторды шығарыңыз. Бұл сақтық шарасы электр құралдың кездейсоқ қосылуын болдырмайды.
- ▶ Қолданылмайтын электр құралдарды балалар жетпейтін жерде сақтаңыз. Электр құралды оны пайдалана алмайтын немесе осы нұсқауларды оқып шықпаған тұлғаларға бермеңіз. Электр құралдар тәжірибесі жоқ пайдаланушылардың қолында қауіпті болады.
- ▶ Электр құралдарына ұқыпты қараңыз. Айналымды бөліктердің мүлтіксіз қызмет ететінін, олардың жүрісінің жеңілдігін, барлық бөліктердің тұтастығын және электр құралдың жұмысына теріс әсер етуі мүмкін зақымдардың жоқтығын тексеріңіз. Аспаптың зақымдалған бөліктерін оны қолдану алдында жөндеуге өткізіңіз. Электр құралға техникалық қызмет көрсету ережелерін сақтамау көп сәтсіз жағдайлардың себебі болып табылады.
- ▶ Кескіш аспаптардың үшкір және таза болуын қадағалау керек. Жұмыс күйінде сақталатын кескіш аспаптардың сыналануы сиректеу болады, оларды басқару жеңілдеу.
- ▶ Электр құралды, саймандарды, көмекші құрылғыларды және т.б. нұсқауларға сай пайдаланыңыз. Бұл кезде жұмыс жағдайларын және орындалатын жұмыстың сипатын ескеріңіз. Электр құралдарды басқа мақсаттарда қолдану қауіпті жағдайларға әкелуі мүмкін.

Қызмет

- ▶ Электр құралды жөндеуді тек түпнұсқа қосалқы бөлшектерді қолданатын білікті қызметкерлерге сеніп тапсырыңыз. Бұл электр құралды қауіпсіз күйде сақтауды қамтамасыз етеді.

2.2 Перфораторлармен жұмыс істеу кезіндегі қауіпсіздік техникасы бойынша нұсқаулар

- ▶ Қорғауыш құлаққапты киіңіз. Шу әсерінің нәтижесінде есту қабілеті жоғалуы мүмкін.
- ▶ Аспап жинағына кіретін қосымша тұтқыштарды қолданыңыз. Аспапты басқаруды жоғалту жарақаттарға әкелуі мүмкін.
- ▶ Аспаптың жасырын электр сымдарын немесе желілік кабельді зақымдау қауіп болғанда аспапты оқшауланған беттерінен ұстаңыз. Электр сымдарына тигенде аспаптың қорғалмаған металл бөліктері кернеу астында болады. Бұл электр тогының соғуына әкелуі мүмкін.

2.3 Қауіпсіздік бойынша қосымша нұсқаулар

Адамдардың қауіпсіздігі

- ▶ Аспапты тек техникалық мінсіз күйінде қолданыңыз.
- ▶ Аспапта ешқашан бейімдеу не өзгерту жұмыстарын орындамаңыз.
- ▶ Тесіп өтетін бұрғылау кезінде қауіпті аймақты қабырғаның қарама-қарсы жағынан қоршаңыз. Сыртқа шығатын және/немесе төмен түсетін сынықтар адамдарға жарақат тигізуі мүмкін.
- ▶ Бүйірлік тұтқыш дұрыс орнатылғанын және берік бекітілгенін тексеріңіз. Өрқашан аспапты екі қолмен тұтқыштарынан берік ұстаңыз. Майланған тұтқыштарды дереу тазалаңыз, олар құрғақ және таза болуы керек.
- ▶ Саусақтарыңыздың қандандыруын жақсарту үшін үзіліс жасап, жаттығулар жасаңыз. Ұзақ уақыт жұмыс істеген кезде, дірілдердің салдарынан саусақ, қол не буындардың қантамыры не жүйкесіне кері әсер тиюі мүмкін.
- ▶ Аспапты әлсіз адамдарға нұсқаусыз пайдалануға тыйым салынады.
- ▶ Аспапты балалардан алшақ ұстаңыз.
- ▶ Жұмысты бастау алдында дайындама материалы бойынша пайда болатын шаңның қауіп классын анықтаңыз. Аспаппен жұмыс істеу үшін қорғаныс дәрежесі қолданыстағы шаңнан қорғау нормаларына сай құрылыс шаңсорғышын қолданыңыз.



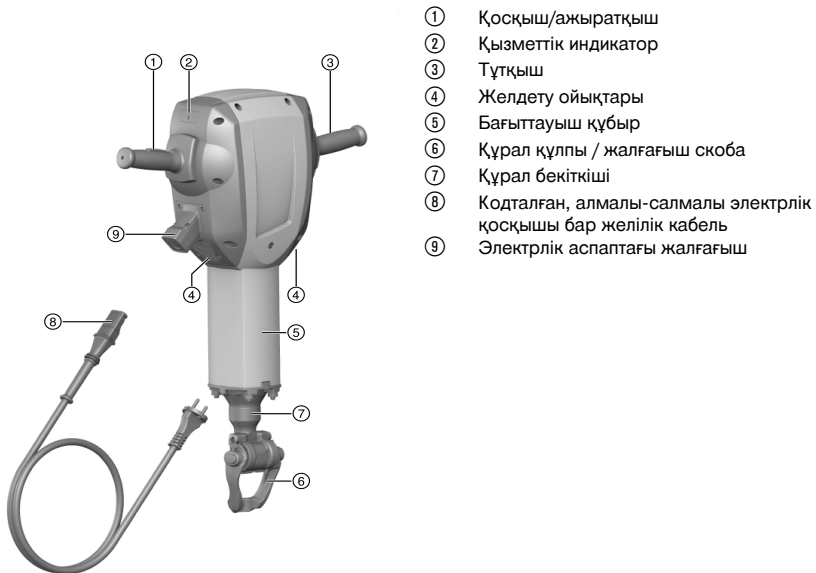
- ▶ Мүмкіндігінше шаңсорғыш пен арнайы жылжымалы шаң жинағышты қолданыңыз. Құрамында қорғасын бар бояулар, ағаштың кейбір түрлері, бетон/кірпіш қалауы/кварц қамтитын жыныстар және минералдар мен металл сияқты материалдардан пайда болатын шаң денсаулық үшін зиянды болуы мүмкін.
- ▶ Жұмыс орнындағы ауа алмасуды жақсарту үшін әрекет етіңіз және қажетінше тиісті шаңға арналған респираторды тағыңыз. Мұндай шаңның бөлшектерімен дем алу немесе оған тию пайдаланушыларда немесе жанындағы адамдарда аллергиялық реакциялардың және/немесе дем алу жолдары ауруларының пайда болуына әкелуі мүмкін. Кейбір шаң түрлері (мысалы, еменді немесе шамшатты өңдеу кезінде пайда болатын шаң) канцерогенді деп есептеледі, әсіресе ағашты өңдеу үшін қолданылатын қосымша материалдармен (хром қышқылының тұзы, ағашты қорғау заттары) тіркесімде. Құрамында асбест бар материалдарды тек мамандар өңдеуі керек.

Электр қауіпсіздігі

- ▶ Жұмысты бастамас бұрын, жұмыс аймағындағы электрлік сымдар, газ бен су құбырлары жабық екендігіне көз жеткізіңіз. Ток сымына байқамастан зақым келтірген жағдайда, аспаптағы сыртта орналасқан металл бөлшектер ток соғу қаупін тудыруы мүмкін.
- ▶ Аспаптың желілік кабелін тұрақты түрде тексеріңіз және зақымдалған кабельді ауыстыру үшін тәжірибелі электрші маманды шақырыңыз. Электрлік құралдың байланыс кабелі зақымдалған жағдайда оны арнайы дайындалған және рұқсат етілген кабельге ауыстыру керек. Оған клиенттерге қызмет көрсету бөлімі арқылы тапсырыс беруге болады. Ұзартқыш кабельдерді тұрақты түрде тексеріңіз және зақымдар бар болғанда оларды ауыстырыңыз. Жұмыс кезінде желілік немесе ұзартқыш кабель зақымдалған жағдайда оған тиюге тыйым салынады. Желілік кабельді розеткадан шығарыңыз. Ақаулы электр қуаты кабельдері және ұзартқыш кабельдер электр тогының соғу қаупін тудырады.
- ▶ Ток өткізетін материалдарды жиі өңдеген кезде кір аспапты **Hilti** қызмет көрсету орталығына жүйелі түрде тексертіңіз. Қолайсыз жағдайларда аспап бетінде жиналатын ылғал мен шаң (әсіресе төк өткізгіш материалдардан) электр тогының соғуын тудыруы мүмкін.
- ▶ Электрмен қамтуда кідірістер болғанда, аспапты өшіріңіз және кабельді желіден ажыратыңыз. Бұл электрмен қамту қалпына келтірілгенде аспаптың өздігінен қосылуын болдырмайды.

3 Сипаттама

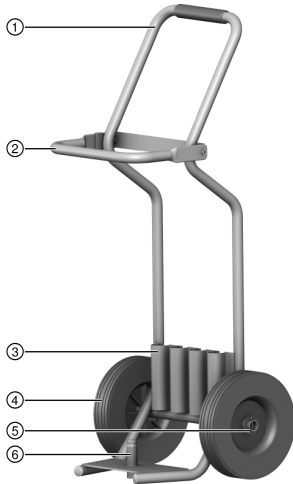
3.1 Өнімге шолу



- ① Қосқыш/ажыратқыш
- ② Қызметтік индикатор
- ③ Тұтқыш
- ④ Желдету ойықтары
- ⑤ Бағыттауыш құбыр
- ⑥ Құрал құлпы / жалғағыш скоба
- ⑦ Құрал бекіткіші
- ⑧ Кодталған, алмалы-салмалы электрлік қосқышы бар желілік кабель
- ⑨ Электрлік аспаптағы жалғағыш



3.2 Тасымалдау арбашасының құрамдас бөлшектері 2



- ① Тұтқыш
- ② Тежеуіш тұтқа
- ③ Пайдаланылатын материал ұстағышы (кескіш)
- ④ Дөңгелектер
- ⑤ Дөңгелек қорғанысы (диск, шплинт)
- ⑥ Құрылғының қысқыш жақтауы

3.3 Мақсатына сай қолдану

Сипатталған өнім 28 мм алты қырлы құрал бекіткіші бар қолмен басқарылатын қашайтын балға болып табылады. Ол бетон, кірпіш қалау мен асфальт бойынша қашау жұмыстарын орындауға арналған. Қосымша қолдану түрлеріне тегістеу және қазу жатады.

- ▶ Аспапты тек фирмалық тақтайшада көрсетілгендей электр желісінің кернеуі болғанда пайдалануға мүмкін болады.

3.4 Ықтимал қате қолдану

Аталған өнім денсаулық үшін зиянды материалдарды өңдеуге арналмаған.

Аталған өнім ылғалды ортада жұмыс істеуге арналмаған.

3.5 Қызметтік индикатор

Қашайтын балға жарық сигналы бар қызметтік индикатормен жабдықталған.

Құралдың бөлшектері	Сипаттамасы
Қызметтік индикатор қызыл түспен жанып тұр.	Қызмет көрсету мерзімі шегіне жетті. Аспаптағы ақаулықтар.
Қызметтік индикатор қызыл түспен жыпылықтайды.	Қызып кетуден қорғаныс Қамтудың кернеуі тым төмен.

Өнімді уақытында **Hilti** қызмет көрсету орталығына апарыңыз. Осылайша оны әрдайым жұмысқа дайын күйінде сақтап тұрасыз.



3.6 Active Vibration Reduction (AVR)

Қашайтын балға дірілді айтарлықтай азайтатын Active Vibration Reduction (AVR) жүйесімен жабдықталған.

3.7 Жеткізілім жинағы

Қашайтын балға, пайдалану бойынша нұсқаулық, жағармай.
Тасымалдау арбашасы қосымша ретінде ұсынылады.



Оған қоса, өніміңіз үшін рұқсат етілген жүйелік өнімді Hilti орталығында немесе келесі сайтта табуға болады: www.hilti.group

4 Техникалық сипаттамалар



Номиналды кернеу, номиналды ток, жиілік және/немесе номиналды тұтынылатын қуат туралы ақпарат елге тән фирмалық тақтайшада берілген.

Генераторда немесе трансформаторда жұмыс істеген кезде, осы шығыс қуат аспаптың фирмалық тақтайшасында көрсетілген номиналды тұтынылатын қуаттан кем дегенде екі есе жоғары болуы керек. Трансформатор немесе генератордың басқару кернеуі әрдайым аспаптың номиналды тұтынылатын қуатының +5 % және -15 % аралығында болуы керек.

	TE 3000-AVR
ЕРТА 01 процедурасы бойынша салмағы	29,9 кг
ЕРТА процедурасы бойынша жалғыз соққы энергиясы	68 Дж
Сақтау температурасы	-20 °C ... 70 °C
Жұмыс кезіндегі қоршаған орта температурасы	-17 °C ... 60 °C

4.1 EN 62841 стандарты бойынша шуыл туралы ақпарат және діріл мәні

Осы нұсқауларда көрсетілген дыбыс қысымы мен діріл деңгейі стандартты өлшеу әдісімен өлшенген және оны басқа электр құралдарымен салыстыру үшін пайдалануға болады. Сонымен бірге, ол экспозицияны алдын ала бағалау үшін жарайды.

Берілген деректер электр құралының негізгі жұмысын көрсетеді. Алайда, егер электр құралы басқа мақсаттарда, басқа жұмыс аспаптарымен қолданылса немесе оған қанағаттандырмайтын техникалық қызмет көрсетілсе, деректер өзгеше болуы мүмкін. Осының салдарынан аспаптың бүкіл жұмыс істеу кезеңінде экспозиция айтарлықтай артуы мүмкін.

Экспозицияны дәл анықтау үшін аспап сәндірілген күйде немесе бос жұмыс істейтін уақыт аралықтарында ескеру керек. Осының салдарынан аспаптың бүкіл жұмыс істеу кезеңінде экспозиция айтарлықтай азаяуы мүмкін.

Пайдаланушыны пайда болатын шуылдан және/немесе дірілден қорғау үшін қосымша сақтық шараларын қолданыңыз, мысалы: электр аспабына және жұмыс аспаптарына техникалық қызмет көрсету, қолдардың жылуын сақтау, жұмыс процестерін дұрыс ұйымдастыру.

Шуыл туралы ақпарат

Дыбыс күшінің деңгейі (L_{WA})	105 дБ(А)
Дыбыс күшінің деңгейі бойынша дәлсіздік (K_{WA})	3 дБ(А)
Дыбыс қысымының деңгейі (L_{pA})	94 дБ(А)
Дыбыс қысымының деңгейі бойынша дәлсіздік (K_{pA})	3 дБ(А)

Діріл туралы ақпарат

Қашау ($a_{h, Cheq}$)	7 м/с ²
Дәлсіздік (K)	1,5 м/с ²



4.2 Ұзартқыш кабельді қолдану

ЕСКЕРТУ

Зақымдалған кабельден қауіп бар! Егер жұмыс кезінде желілік немесе ұзартқыш кабель зақымдалса, оған тиюге тыйым салынады. Желілік кабельді розеткадан шығарыңыз.

- ▶ Аспаптың желілік кабелін тұрақты түрде тексеріңіз және зақымдалған кабельді ауыстыру үшін тәжірибелі электрші маманды шақырыңыз.
- Тек жұмыс аймағы үшін рұқсат етілген, көлденең қимасы жеткілікті ұзартқыш кабельдерді қолданыңыз. Өзге жағдайда аспапта қуаттың жоғалуы және кабель қызып кетуі мүмкін.
- Ұзартқыш кабельде зақымдардың бар-жоғын жүйелі түрде тексеріп тұрыңыз.
- Зақымдалған ұзартқыш кабельді ауыстыру керек.
- Ашық ауада жұмыс істегенде тек пайдалануға рұқсат етілген, сәйкес белгілеуі бар ұзартқыш кабельдерді қолданыңыз.

120 В желілік кернеуде ұсынылатын минималды көлденең қима және максималды кабель ұзындықтары

Кабель	AWG 16	AWG 14	AWG 12	AWG 10
Өткізгіштің көлденең қимасы	1,31 mm ²	2,08 mm ²	3,31 mm ²	5,26 mm ²
Өткізгіштің көлденең қимасы	2,58 kcmil	4,11 kcmil	6,53 kcmil	10,4 kcmil
Кабель ұзындығы	25 m	30 m	50 m	100 m
Кабель ұзындығы	75 ft	100 ft	150 ft	250 ft

5 Қызмет көрсету

5.1 Жұмысқа дайындық

АБАЙПАҢЫЗ

Жарақат алу қаупі бар! Өнімнің кездейсоқ іске қосылуы.

- ▶ Аспап реттеулерін орындау немесе қосалқы бөлшектерді алмастыру алдында желілік ашаны тартып шығарыңыз.

Осы құжаттамадағы және өнімдегі қауіпсіздік және ескерту нұсқауларын орындаңыз.

5.1.1 Алмалы-салмалы аспапты енгізу

Өр пайдаланудан бұрын құралда зақымдардың және бірқалыпты болмаған тозудың бар-жоғын тексеріңіз және қажет болған жағдайда ауыстырыңыз. Жалғағыш скобаның тазалығын және оның үстінде зақымдардың бар-жоғын тексеріңіз.

1. Алмалы-салмалы аспап ұшын аздап майлаңыз.
2. Жалғағыш скобаны ашыңыз.
3. Алмалы-салмалы аспапты құрал бекіткішіне тірелгенше енгізіңіз.
4. Құралдарды жалғағыш скобаның түйнімен бірге А жабық күйіне қойыңыз.
5. Құралдарды жалғағыш скобаның гайкасымен бірге В жабық күйіне қойыңыз.
 - ↳ Кескішті гайка В жабық күйінің бағытымен қарап тұратындай етіп орналастырыңыз.
6. Қысқыда берік бекітілгеніне көз жеткізу үшін жұмыс аспабын өзіңізге тартыңыз.
 - ↳ Түйнімен және гайкамен біріктірілген құралдарды таңдау бойынша А және В жабық күйлерінде құлыптауға болады.

Тек Hilti компаниясы ұсынған түпнұсқа жағармай қолданыңыз. Жарамсыз майды пайдалану нәтижесінде өнім зақымдалуы мүмкін.

5.1.2 Құралды шығару

ЕСКЕРТУ

Жарақат алу қаупі Құрал қолдану кезінде қызып кетеді және өткір жиектер көрсетуі мүмкін.

- ▶ Құралды алмастырған кезде қорғауыш қолғаптарды киіңіз.



ҚАУІПТІ

Өрт қаупі Ыстық құрал мен жеңіл жанғыш материалдар арасындағы байланыстағы қауіп.

- ▶ Ыстық құралды жеңіл жанғыш материалдардың үстіне қоймаңыз.

ЕСКЕРТУ

Жарақат алу қаупі Ыстық үстіңгі беттерден өрт қаупі бар.

- ▶ Бағыттауыш құбыр қолдану кезінде қызып кететіндіктен, оған қол тигізуден сақ болыңыз.

1. Жалғағыш скобаны ашыңыз.
2. Алмалы-салмалы аспапты құрал бекіткішінен шығарыңыз.

5.2 Алмалы-салмалы желілік кабель

АБАЙПАҢЫЗ

Жарақат алу қаупі контактілер кірленген жағдайда кему тоғы арқылы.

- ▶ Ажырайтын электрлік қосқышты тек таза, құрғақ әрі тартылыссыз күйінде электрлік аспапқа жалғаңыз.

- ▶ Алмалы-салмалы желілік кабельді жалғаңыз/ажыратыңыз.

5.2.1 Алмалы-салмалы желілік кабельді жалғау

АБАЙПАҢЫЗ

Жарақат алу қаупі контактілер кірленген жағдайда кему тоғы арқылы.

- ▶ Ажырайтын электрлік қосқышты тек таза, құрғақ әрі тартылыссыз күйінде электрлік аспапқа жалғаңыз.

1. Кодталған, алмалы-салмалы электрлік қосқышты тірелуі естілмегенше аспапқа салыңыз.
2. Желілік кабель ашасын розеткаға салыңыз.

5.2.2 Алмалы-салмалы желілік кабельді электрлік аспаптан ажырату

1. Кабель ашасын желілік розеткадан шығарыңыз.
2. Тежегіш түймені басып, кодталған, алмалы-салмалы электрлік қосқышты ажыратыңыз.
3. Желілік кабельді аспаптан тартып шығарыңыз.

6 Күту және техникалық қызмет көрсету

ЕСКЕРТУ

Аккумулятор енгізілген кезде жарақат алу қаупі бар !

- ▶ Күтім және техникалық қызмет көрсету бойынша кез келген жұмыстарды орындамас бұрын әрдайым аккумуляторды шығарыңыз!

Аспапқа қызмет көрсету

- Қатты жабысқан кірді мұқият кетіріңіз.
- Желдету ойықтарын құрғақ қылшақпен жайлап тазалаңыз.
- Корпусты тек сәл суланған шүберекпен тазалаңыз. Ешқандай силикон қамтитын күтім құралдарын пайдаланбаңыз, өйткені олар пластмасса бөлшектерін зақымдауы мүмкін.

Литий-иондық аккумуляторға қызмет көрсету

- Аккумуляторды май мен майлағыштан таза күйінде ұстаңыз.
- Корпусты тек сәл суланған шүберекпен тазалаңыз. Ешқандай силикон қамтитын күтім құралдарын пайдаланбаңыз, өйткені олар пластмасса бөлшектерін зақымдауы мүмкін.
- Ылғалдың кіруін болдырмаңыз.

Техникалық қызмет көрсету

- Барлық көзге көрінетін бөлшектерде зақымдардың бар-жоғын және басқару элементтерінің ақаусыз жұмысын жиі тексеріп тұрыңыз.
- Өнім зақымдалған және/немесе ақаулы болған жағдайда оны пайдаланушы болмаңыз. Бірден **Hilti** қызмет көрсету орталығына жөндетіңіз.



- Күтім және техникалық қызмет көрсету жұмыстарынан кейін барлық қорғауыш құрылғыларды орнатып, жұмысын тексеріңіз.

i Қауіпсіз қолдану үшін тек түпнұсқа қосалқы бөлшектер мен жұмсалатын материалдарды қолданыңыз. Біз рұқсат еткен қосалқы бөлшектер, шығын материалдары мен өнімге арналған керек-жарақтар **Hilti Store** дүкенінде немесе келесі веб-сайтта қолжетімді: www.hilti.group.

7 Тасымалдау және сақтау

- Электр аспапты енгізілген құралымен бірге тасымалдамаңыз.
- Электр аспапты әрқашан ажыратылған ашасымен бірге сақтаңыз.
- Аспапты құрғақ күйінде және балалар мен рұқсаты жоқ адамдардың қолы жетпейтін жерде сақтаңыз.
- Электр аспапты ұзақ уақыт тасымалдаған не сақтаған соң, оны пайдалану алдында зақымдардың бар-жоғын тексеріңіз.

8 Ақаулықтардағы көмек


Бұл кестеде келтірілмеген немесе өзіңіз түзете алмайтын ақаулықтар орын алғанда, **Hilti** қызмет көрсету орталығына хабарласыңыз.

8.1 Ақаулықтарды жою

Ақаулық	Ықтимал себеп	Шешім
Қашайтын балға жұмыс істемей тұр.	Электрониканың бапандырылуы орындалуда (ашаны енгізгеннен кейін шам. 4 секундқа дейін). Электр қамтуындағы үзілістен кейін іске қосу құлпы бөлсендірілген.	▶ Аспапты өшіріп қайта қосыңыз.
	Электр қамтуы жоқ.	▶ Басқа электр құралын жалғап, жұмысын тексеріңіз.
	Генератор ұйқы режимінде.	▶ Генераторға екінші тұтынушы жүктеңіз (мысалы, құрылыс шамы). Сонан соң аспапты өшіріп қайта қосыңыз.
	Алмалы-салмалы желілік кабель дұрыс жалғанбаған.	▶ Алмалы-салмалы желілік кабельді электрлік аспапқа дұрыстап жалғаңыз.
Қызметтік индикатор қызыл түспен жанып тұр.	Аспапта зақымдар бар немесе қызмет көрсету мерзімі шегіне жетті.	▶ Өнімді тек Hilti қызмет көрсету орталығында ғана жөндетіңіз.
Қызметтік индикатор қызыл түспен жыпылықтайды.	Электрлік қуат кернеуі тым жоғары	▶ Желілік розетканы ауыстырыңыз. Желіні қайта тексеріңіз.
	Қызып кетуден қорғау.	▶ Аспапты суытыңыз. Желдету саңылауын тазалаңыз. Бос жүрісте пайдалану мүмкін емес.
Соққымен бұрғылау орындалмайды.	Аспап тым суық.	▶ Қашайтын балғаны астыңғы бетке қойып, бос жүріспен жұмыс істетіңіз. Қажет болса, соққы механизмі жұмыс істегенше әрекетті қайталаңыз.
Қашайтын балға жұмыс істемейді немесе жұмыс кезінде өшіп қалады.	Ұзартқыш кабель тым ұзын немесе қимасы жеткіліксіз.	▶ Ұзындығы ұйғарынды және/немесе қимасы жеткілікті ұзартқыш кабельді қолданыңыз.



9 Кәдеге жарату

 **Hilti** аспаптары қайта өңдеу үшін жарамды көптеген материалдардың санын қамтиды. Кәдеге жарату алдында материалдарды мұқият сұрыптау керек. Көптеген елдерде **Hilti** компаниясы ескі аспабыңызды қайта өңдеу үшін қайта қабылдайды. **Hilti** қызмет көрсету орталығынан немесе дилеріңізден сұраңыз.



- ▶ Электр құралдарды, электрондық құрылғылар мен аккумуляторларды тұрмыстық қоқыспен бірге тастамаңыз!
-

10 RoHS (зиянды заттектердің пайдаланылуын шектеу директивасы)

Төмендегі сілтеме бойынша зиянды заттектердің кестесі келтірілген: qr.hilti.com/r4783.
RoHS кестесінің сілтемесі осы құжаттаманың соңында QR коды ретінде берілген.

11 Өндіруші кепілдігі

- ▶ Кепілдік шарттары туралы сұрақтарыңыз болса, жергілікті **Hilti** серіктесіне хабарласыңыз.



1 Dokümantasyon verileri

1.1 Bu doküman için

- Çalıştırmadan önce bu dokümanı okuyunuz. Bu, güvenli çalışma ve arızasız kullanım için ön koşuldur.
- Bu dokümanda ve ürün üzerinde bulunan güvenlik ve uyarı bilgilerine dikkat ediniz.
- Kullanım kılavuzunu her zaman ürün üzerinde bulundurunuz ve ürünü sadece bu kılavuz ile birlikte başka kişilere veriniz.

1.2 Resim açıklaması

1.2.1 Uyarı bilgileri

Uyarı bilgileri, ürün ile çalışırken ortaya çıkabilecek tehlikelere karşı uyarır. Aşağıdaki uyarı metinleri kullanılır:



TEHLİKE

TEHLİKE !

- ▶ Ağır vücut yaralanmalarına veya doğrudan ölüme sebep olabilecek tehlikeler için.



İKAZ

İKAZ !

- ▶ Ağır yaralanmalara veya ölüme neden olabilecek tehlikeler için.



DİKKAT

DİKKAT !

- ▶ Hafif vücut yaralanmalarına veya maddi hasarlara yol açabilecek olası tehlikeli durumlar için.

1.2.2 Dokümandaki semboller

Bu dokümanda aşağıdaki semboller kullanılmıştır:

	Kullanmadan önce kullanım kılavuzunu okuyunuz
	Kullanım uyarıları ve diğer gerekli bilgiler
	Geri dönüşümlü malzemeler ile çalışma
	Elektrikli aletleri ve aküleri evdeki çöplere atmayınız

1.2.3 Resimlerdeki semboller

Resimlerde aşağıdaki semboller kullanılmıştır:

	Bu sayılar, kılavuzun başlangıcındaki ilgili resimlere atanmıştır
	Numaralandırma, resimdeki çalışma adımlarının sırasını göstermektedir ve metindeki çalışma adımlarından farklı olabilir
	Pozisyon numaraları Genel bakış resminde kullanılır ve Ürüne genel bakış bölümündeki açıklama numaralarına referans niteliğindedir
	Bu işaret, ürün ile çalışırken dikkatinizi çekmek için koyulmuştur.

1.3 Üründeki semboller

1.3.1 Üründeki semboller

Üründe aşağıdaki semboller kullanılabilir:

	Koruma sınıfı II (çift izolasyonlu)
	Vinç ile taşımak yasaktır





Kablosuz veri aktarımı

1.4 Ürün bilgileri

Hilti ürünleri profesyonel kullanıcıların kullanımı için öngörülmüştür ve sadece yetkili personel tarafından kullanılabilir ve bakımı yapılabilir. Bu personel, meydana gelebilecek tehlikeler hakkında özel olarak eğitim görmüş olmalıdır. Aletin ve ilgili yardımcı gereçlerin eğitimsiz personel tarafından usulüne uygun olmayan şekilde kullanılması ve amaçları dışında çalıştırılması sonucu tehlikeli durumlar söz konusu olabilir.

Tip tanımlama ve seri numarası, tip plakası üzerinde belirtilmiştir.

- Seri numarasını aşağıdaki tabloya aktarın. Ürün bilgileri acente veya servis merkezini aradığınızda sorulabilir.

Ürün verileri → Sayfa 129

Ürün verileri

Keski tabancası	TE 3000-AVR
Nesil	01
Seri no.	

1.5 Uygunluk beyanı

Burada tanımlanan ürünün, geçerli yönetmeliklere ve normlara uygun olduğunu kendi sorumluluğumuzda beyan ederiz. Bu dokümantasyonun sonunda uygunluk beyanının bir kopyasını bulabilirsiniz.

Teknik dokümantasyonlar eklidir:

Hilti Entwicklungsgesellschaft mbH | Zulassung Geräte | Hiltistraße 6 | 86916 Kaufering, DE

2 Güvenlik

2.1 Elektrikli el aletleri için genel güvenlik uyarıları

⚠ UYARI Tüm güvenlik uyarılarını ve talimatlarını okuyunuz. Güvenlik uyarılarına ve talimatlara uyulmasında ihmaller elektrik çarpması, yanma ve/veya ağır yaralanmalara sebep olabilir.

Tüm güvenlik uyarılarını ve kullanım talimatlarını muhafaza ediniz.

Güvenlik uyarılarında kullanılan "elektrikli el aleti" terimi, şebeke işletimli elektrikli el aletleri (şebeke kablosu ile) ve akü işletimli elektrikli el aletleri (şebeke kablosu olmadan) ile ilgilidir.

İşyeri güvenliği

- **Çalışma alanınızı temiz ve aydınlık tutunuz.** Düzensiz veya aydınlatma olmayan çalışma alanları kazalara yol açabilir.
- **Yanıcı sıvıların, gazların veya tozların bulunduğu patlama tehlikesi olan yerlerde elektrikli el aleti ile çalışmayınız.** Elektrikli el aletleri, toz veya buhar yakabilecek kıvılcım oluşturur.
- **Elektrikli aleti kullanırken çocukları ve diğer kişileri uzak tutunuz.** Dikkatiniz dağılırsa aletin kontrolünü kaybedebilirsiniz.

Elektrik güvenliği

- **Elektrikli el aletin bağlantı fişi prize uygun olmalıdır. Fiş hiçbir şekilde değiştirilmemelidir. Adaptör fişini topraklama korumalı elektrikli el aletleri ile birlikte kullanmayınız.** Değiştirilmemiş fişler ve uygun prizler elektrik çarpması riskini azaltır.
- **Borular, radyatörler, fırınlar ve buzdolapları gibi toprağa temas eden üst yüzeylere vücudunuzla temas etmekten kaçınınız.** Vücudunuzun toprakla teması var ise, yüksek bir elektrik çarpması riski söz konusudur.
- **Elektrikli el aletini yağmurdan veya ıslaklıktan uzak tutunuz.** Elektrikli el aletine su girmesi, elektrik çarpması riskini artırır.
- **Elektrikli el aletini taşımak, asmak veya fişi şalterden çekmek için kabloyu kullanım amacı dışında kullanmayınız. Kabloyu sıcağın, yağdan, keskin kenarlardan ve hareketli alet parçalarından uzak tutunuz.** Hasarlı veya kanşımış kablolar elektrik çarpması riskini artırır.
- **Elektrikli bir el aleti ile açık alanda çalışıyorsanız sadece dışarıda kullanımına da izin verilen uzatma kabloları kullanınız.** Dış mekanlar için uygun olan uzatma kablolarının kullanımı elektrik çarpması riskini azaltır.
- **Elektrikli el aleti işletiminin nemli ortamda yapılması kaçınılmaz ise bir hatalı akım koruma şalteri kullanınız.** Bir hatalı akım koruma şalterinin kullanımı elektrik çarpması riskini azaltır.



Kişilerin güvenliği

- ▶ **Dikkatli olunuz, ne yaptığınıza dikkat ediniz ve el aleti ile mantıklı bir şekilde çalışınız. Yorgunsanız veya uyuşturucu, alkol veya ilaç etkisi altında olduğunuzda elektrikli el aleti kullanmayınız.** Elektrikli el aletini kullanırken bir anlık dikkatsizlik ciddi yaralanmalara neden olabilir.
- ▶ **Kişisel koruyucu donanım ve her zaman bir koruyucu gözlük takınız.** Elektrikli el aletinin türüne ve kullanımına göre toz maskesi, kaymayan güvenlik ayakkabısı, koruyucu kask veya kulaklık gibi kişisel koruma donanımlarının kullanılması yaralanma riskini azaltır.
- ▶ **İstem dışı çalışmayı önleyiniz. Güç kaynağına ve/veya aküyü bağlamadan, girişini yapmadan veya taşımadan önce elektrikli el aletinin kapalı olduğundan emin olunuz.** Aleti taşıırken parmağınız şalterde ise veya alet açık konumda akım beslemesine takılırsa, bu durum kazalara yol açabilir.
- ▶ **Elektrikli el aletini devreye almadan önce ayar aletlerini veya vidalama anahtarlarını çıkartınız.** Dönen bir alet parçasında bulunan bir alet veya anahtar yaralanmalara yol açabilir.
- ▶ **Aşırı bir vücut hareketinden sakınınız. Güvenli bir duruş sağlayınız ve her zaman dengeli tutunuz.** Böylece beklenmedik durumlarda elektrikli el aletini daha iyi kontrol edebilirsiniz.
- ▶ **Uygun kıyafetler giyiniz. Bol kıyafetler giymeyiniz veya takı takmayınız. Saçları, kıyafetleri ve eldivenleri hareket eden parçalardan uzak tutunuz.** Bol kıyafetler, takı veya uzun saçlar hareket eden parçalara takılabilir.
- ▶ **Toz emme ve tutma tertibatları monte edilebiliyorsa, bunların bağlı olduğundan ve doğru kullanıldığından emin olunuz.** Bu toz emme tertibatının kullanımı tozdan kaynaklanabilecek tehlikeleri azaltabilir.

Elektrikli el aletinin kullanımı ve çalıştırılması

- ▶ **Aleti çok fazla zorlamayınız. Çalışmanız için uygun olan elektrikli el aletini kullanınız.** Uygun elektrikli el aleti ile bildirilen hizmet alanında daha iyi ve güvenli çalışırsınız.
- ▶ **Şalteri bozuk olan elektrikli el aletini kullanmayınız.** Açılıp kapatılamayan bir elektrikli el aleti tehlikelidir ve tamir edilmesi gerekir.
- ▶ **Alet ayarlarını yapmadan, aksesuar parçalarını değiştirmeden veya aleti bir yere koymadan önce fişi prizden ve/veya aküyü aletten çıkartınız.** Bu önlem, elektrikli el aletinin istem dışı çalışmasını engeller.
- ▶ **Kullanılmayan elektrikli el aletlerini çocukların erişemeyeceği yerde muhafaza ediniz. Aleti iyi tanımayan veya bu talimatları okumamış kişilere aleti kullandırmayınız.** Elektrikli el aletleri bilgisiz kişiler tarafından kullanılırsa tehlikelidir.
- ▶ **Elektrikli el aletlerinin bakımını titizlikle yapınız. Hareketli parçaların kusursuz çalıştığı ve sıkışmadığı, parçaların kırılıp kırılmadığı veya hasar görüp görmediği, elektrikli el aleti fonksiyonlarının kısıtlanma durumlarını kontrol ediniz. Hasarlı parçaları aleti kullanmadan önce tamir ettiriniz.** Birçok kazanın nedeni bakımı kötü yapılan elektrikli el aletleridir.
- ▶ **Kesme aletlerini keskin ve temiz tutunuz.** Özenle bakımı yapılmış keskin bıçak kenarı olan kesme aletleri daha az sıkışır ve kullanımı daha rahattır.
- ▶ **Elektrikli el aletini, aksesuarları, kullanım aletleri vb. bu talimatlara göre kullanınız. Çalışma şartlarını ve yapılacak işi de ayrıca göz önünde bulundurunuz.** Elektrikli el aletlerinin öngörülen kullanım dışında kullanılması tehlikeli durumlara yol açabilir.

Servis

- ▶ **Elektrikli el aletinizi sadece kalifiye uzman personele ve sadece orijinal yedek parçalar ile tamir ettiriniz.** Böylece elektrikli el aletinin güvenliğinin korunduğundan emin olunur.

2.2 Kırcı-delici için güvenlik uyarıları

- ▶ **Kulaklık takınız.** Aşırı sestten dolayı duyma kaybı meydana gelebilir.
- ▶ **Aletle birlikte verilen ek tutamakları kullanınız.** Kontrol kaybı yaralanmalara yol açabilir.
- ▶ **Kullandığınız aletin gizli elektrik hatlarına veya kendi şebeke kablosuna isabet edebileceği çalışmalar yapıyorsanız aleti sadece izolasyonlu tutamaklardan tutunuz.** Elektrik ileten bir hat ile temasta metal parçalar da gerilim altında kalır ve elektrik çarpmasına neden olabilir.

2.3 Ek güvenlik uyarıları

Kişilerin güvenliği

- ▶ Aleti sadece teknik olarak kusursuz durumdayken kullanınız.
- ▶ Alette hiç bir zaman manipülasyonlar veya değişiklikler yapmayınız.
- ▶ Kırma çalışmalarında, çalışılacak yerin karşı tarafında bulunan bölgeyi emniyete alınız. Kırılan parçalar dışarı ve / veya yere düşebilir ve diğer kişilerin yaralanmasına sebep olabilir.

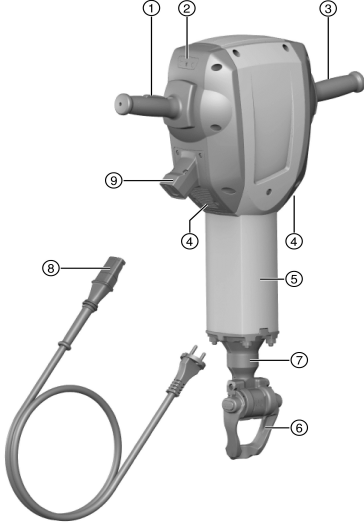


- ▶ Yan tutamağın doğru monte edildiğinden ve usulüne uygun şekilde sabitlendiğinden emin olunuz. Aleti, her zaman iki elinizle öngörülen tutamaklardan sıkıca tutunuz. Tutamakları kuru, temiz, yağsız ve gressiz bir şekilde tutunuz.
- ▶ Parmaklarınızdaki kan dolaşımının daha iyi olması için çalışma molaları veriniz ve parmak egzersizleri yapınız. Uzun süreli çalışmalarda titreşimden dolayı parmaklar, eller veya bileklerdeki kan damarlarında veya sinir sisteminde rahatsızlıklar oluşabilir.
- ▶ Bu alet gözetim altında olmayan yetersiz güçteki kişiler için uygun değildir.
- ▶ Aleti çocuklardan uzak tutunuz.
- ▶ Çalışmaya başlamadan önce çalışma sırasında ortaya çıkan tozun tehlike sınıfını öğreniniz. Ülkenizdeki tozdan koruma yönergelerine uygun bir resmi koruma sınıfına sahip toz emme tertibatı kullanınız.
- ▶ Mümkün oldukça, bir toz emici ve uygun, taşınabilir bir toz ayırıcı kullanınız. Kurşun içeren boyalar gibi malzemelerin tozu, bazı ahşap türleri, kuartz içeren beton / duvar / taşlar, mineraller ve metaller sağlığa zarar verebilir.
- ▶ Çalışma yerinin iyi havalandırmasını sağlayın ve gerektiği durumlarda ilgili toz için uygun olan bir maske kullanınız. Tozlara dokunulması veya tozların solunması, kullanıcıda veya yakınında bulunan kişilerde alerjik reaksiyonlara ve/veya solunum yolu hastalıklarına yol açabilir. Kayın veya meşe ağacı gibi belli tür tozlar özellikle ahşap işlemede ek maddelerle (kromat, ahşap koruyucu malzemeler) bağlantılı çalışıldığında kanser yapıcı olarak kabul edilir. Asbest içerikli malzemeler sadece uzman kişiler tarafından işlenmelidir.

Elektrik güvenliği

- ▶ Çalışmaya başlamadan önce çalışma alanında üzeri kapatılmış elektrik kablosu, gaz ve su borusu bulunup bulunmadığını kontrol ediniz. Bir elektrik hattına kazara zarar verilmesi halinde, aletin dışındaki metal parçalar elektrik çarpmasına neden olabilir.
- ▶ Aletin bağlantı hatlarını düzenli olarak kontrol ediniz ve hasar durumunda bunu yetkili bir uzmana değiştiriniz. Elektrikli el aletinin bağlantı hattı hasar gördüğünde, bu hat müşteri hizmetleri organizasyonundan elde edebileceğiniz özel üretilmiş ve yasal olarak kullanım iznine sahip bir bağlantı hattı ile değiştirilmelidir. Uzatma hatlarını düzenli olarak kontrol ediniz ve hasar görmüş ise değiştiriniz. Çalışma esnasında şebeke veya uzatma kablosu hasar görürse bu kabloya dokunmamalısınız. Şebeke fişi prizden çekilmelidir. Hasarlı bağlantı ve uzatma kabloları elektrik çarpması nedeniyle tehlike oluşturur.
- ▶ İletken malzemelerin sık işlenmesi durumunda, kirlenen aletleri düzenli aralıklarla Hilti Servisi'ne kontrol ettiriniz. Alet üst yüzeyindeki toz, özellikle iletken malzeme veya nem, uygunsuz kullanımlar sonucu elektrik çarpmasına yol açabilir.
- ▶ Akım kesintisinde cihazı kapatınız ve şebeke fişini çekiniz. Böylece elektrik geri geldiği zaman aletin istem dışı çalışması engellenir.

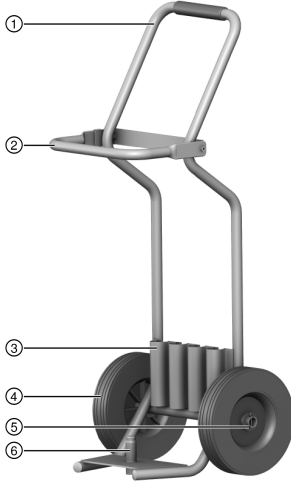


3.1 Ürüne genel bakış

- ① Açma/kapatma şalteri
- ② Servis göstergesi
- ③ Tutamak
- ④ Havalandırma delikleri
- ⑤ Kılavuz boru
- ⑥ Alet kilidi/ kilit kelepçesi
- ⑦ Alet bağlantı yeri
- ⑧ Kodlanmış, çekilebilir konektörlü şebeke kablosu
- ⑨ Elektrikli el aleti bağlantısı



3.2 Yük taşıma arabası parçaları 2



- ① Tutamak
- ② Kavrama kelepçesi
- ③ Tüketim malzemesi için tutucu (keski)
- ④ Tekerlekler
- ⑤ Tekerlek emniyeti (pul, kopya)
- ⑥ Makine bağlantı pimi

3.3 Usulüne uygun kullanım

Açıklanan ürün elle kumandalı keski tabancasıdır ve 28 mm altıgen alet bağlantı yerine sahiptir. Beton, duvar ve asfalt yüzeylerdeki keskilme işleri için tasarlanmıştır. Diğer kullanım alanları kalıp kesme ve kazıma çalışmalarıdır.

- Çalışma sadece tip plakasında verilen şebeke gerilimi ve frekansta gerçekleşmelidir.

3.4 Olası yanlış kullanım

Bu ürün, sağlığa zararlı malzemelerin işlenmesi için uygun değildir.

Bu ürün, nemli ortamlardaki çalışmalar için uygun değildir.

3.5 Servis göstergesi

Keski tabancasında ışık sinyali bulunan bir servis göstergesi mevcuttur.

Durum	Anlamı
Servis göstergesi kırmızı yanıyor.	Servis ömrüne ulaşıldı. Alette hasar.
Servis göstergesi kırmızı yanıp sönüyor.	Aşırı sıcaklık koruması Güç kaynağının gerilimi çok yüksek.



Ürünü zamanında Hilti Service'ye getiriniz. Bu sayede her zaman çalışmaya hazır kalır.

3.6 Active Vibration Reduction (AVR)

Keski tabancasında bir Active Vibration Reduction (AVR) sistemi mevcuttur. Bu sistem titreşimin önemli oranda azaltılmasını sağlar.



3.7 Teslimat kapsamı

Keski tabancası, kullanım kılavuzu, gres.

Taşıma aracı opsiyonel donanım olarak kullanıma sunulur.



Ürünleriniz için izin verilen diğer sistem ürünlerini **Hilti Center** veya internetteki şu adreste bulabilirsiniz:
www.hilti.group

4 Teknik veriler



Nominal gerilim, nominal akım, frekans ve/veya nominal akım tüketimi değerlerini ülkenize özgü tip plakasında bulabilirsiniz.

Jeneratörlü veya transformatörlü bir işletim durumunda çıkış gücü, aletin tip plakasında belirtilen nominal akım tüketiminin en az iki katı büyüklüğünde olmalıdır. Transformatörün veya jeneratörün çalışma gerilimi her zaman alet nominal geriliminin % +5'i ile % -15'i arasında olmalıdır.

	TE 3000-AVR
EPTA prosedürü 01 uyarınca ağırlık	29,9 kg
EPTA prosedürü uyarınca tek darbe enerjisi	68 J
Depolama sıcaklığı	-20 °C ... 70 °C
İşletim sırasındaki ortam sıcaklığı	-17 °C ... 60 °C

4.1 EN 62841 uyarınca ses bilgisi ve titreşim değerleri

Bu talimatlarda belirtilen ses basıncı ve titreşim değerleri, ilgili normlara uygun bir ölçüm metodu ile ölçülmüştür ve elektrikli el aletlerinin birbirleri ile karşılaştırılması için kullanılabilir. Zorlanmaların geçici olarak değerlendirilmesine de uygundur.

Belirtilen değerler, elektrikli el aletinin ana kullanım alanlarını temsil eder. Elektrikli el aletinin, farklı ek aletlerle veya yetersiz bakım yapılmış şekilde kullanılması durumunda, veriler sapma gösterebilir. Bu durum, toplam çalışma süresi boyunca zorlanmayı belirgin şekilde yükseltebilir.

Doğru bir zorlanma değerlendirmesi için aletin kapatıldığı veya çalışır konumda olduğu ve ayrıca kullanımda olmadığı zamanlar da dikkate alınmalıdır. Bu durum, toplam çalışma süresi boyunca zorlanmayı belirgin şekilde azaltabilir.

Kullanıcıyı ses ve/veya titreşimin etkilerinden koruyacak ek güvenlik önlemleri belirleyiniz, örneğin: Elektrikli el aletinin ve ek aletlerin bakımının yapılması, ellerin sıcak tutulması, iş akışlarının düzenlenmesi.

Gürültü bilgileri

Ses gücü seviyesi (L_{WA})	105 dB(A)
Ses gücü seviyesi için emniyetsizlik (K_{WA})	3 dB(A)
Ses basıncı seviyesi (L_{pA})	94 dB(A)
Ses basıncı seviyesi için emniyetsizlik (K_{pA})	3 dB(A)

Vibrasyon bilgileri

Keskileme ($a_{h, cheq}$)	7 m/sn ²
Emniyetsizlik (K)	1,5 m/sn ²

4.2 Uzatma kablosunun kullanımı

⚠ İKAZ

Hasarlı kablo nedeniyle tehlike! Çalışma esnasında şebeke veya uzatma kablosu hasar görürse bu kabloya dokunmamalısınız. Şebeke fişi prizden çekilmelidir.

► Aletin bağlantı hatlarını düzenli olarak kontrol ediniz ve hasar durumunda bunu yetkili bir uzmana değiştirtiniz.

- Yalnızca kullanım alanı için izin verilen yeterli hat kesitine sahip uzatma kablosu kullanınız. Aksi takdirde alette güç kaybı ve kabloda aşırı ısınma meydana gelebilir.
- Uzatma kablosunun hasar durumunu düzenli olarak kontrol ediniz.



- Hasarlı uzatma kablosunu değiştiriniz.
- Açık alanda sadece bunun için izin verilmiş ve uygun işaretlenmiş uzatma kablosu kullanınız.

120V şebeke gerilimi için önerilen minimum kesitler ve maksimum kablo uzunlukları

Kablo	AWG 16	AWG 14	AWG 12	AWG 10
Kablo kesiti	1,31 mm ²	2,08 mm ²	3,31 mm ²	5,26 mm ²
Kablo kesiti	2,58 kcmil	4,11 kcmil	6,53 kcmil	10,4 kcmil
Kablo uzunluğu	25 m	30 m	50 m	100 m
Kablo uzunluğu	75 ft	100 ft	150 ft	250 ft

5 Kullanım

5.1 Çalışma hazırlığı

⚠ DİKKAT

Yaralanma tehlikesi! Ürünün yanlışlıkla çalışmaya başlaması.

- ▶ Aletin ayarlarını yapmadan veya aksesuar parçalarını değiştirmeden önce şebeke fişini çekin.

Bu dokümanda ve ürün üzerinde bulunan güvenlik ve uyarı bilgilerine dikkat ediniz.

5.1.1 Ek aletin yerleştirilmesi 3



Her kullanımdan önce aletin hasarlı olup olmadığını ve düzensiz aşınma olup olmadığını kontrol ediniz ve gerekirse ilgili parçaları değiştiriniz. Kapak klipsini temizlik ve hasar bakımından kontrol ediniz.

1. Ek aletin giriş ucunu gresle hafifçe yağlayınız.
2. Kapak klipsini açınız.
3. Ek aleti dayanak noktasına kadar alet bağlantı yerine yerleştiriniz.
4. Dirsekli aletlerde kapak klipsini kapatma konumu A'ya getiriniz.
5. Kanallı aletlerde kapak klipsini kapatma konumu B'ye getiriniz.
 - ↳ Keskiyi, kanal kapatma konumu B'yi gösterecek şekilde konumlandırınız.
6. Aleti çekerek güvenli kilitlenme durumunu kontrol ediniz.
 - ↳ Çıkıntılı ve oyuklu kombi aletler isteğe göre kapatma pozisyonu A veya B'de kilitlenebilir.



Sadece Hilti marka orijinal gres kullanınız. Uygun olmayan bir gres kullanılması, üründe hasarlara neden olabilir.

5.1.2 Aletin çıkartılması 4



İKAZ

Yaralanma tehlikesi Alet kullanım sırasında ısınır ve kenarları keskinleşebilir.

- ▶ Alet değişimi sırasında koruyucu eldiven takılmalıdır.



TEHLİKE

Yangın tehlikesi Sıcak alet ile yanıcı malzemelerin temas etmesi durumunda tehlike.

- ▶ Aleti yanıcı malzemelerin üzerine koymayınız.



İKAZ

Yaralanma tehlikesi Sıcak yüzeyler nedeniyle yanma tehlikesi.

- ▶ Kullanım sırasında ısındığı için kılavuz boruya temas etmeyiniz.

1. Kapak klipsini açınız.
2. Ek aleti alet bağlantı yerinden çekiniz.



5.2 Geçmeli şebeke kablosu

⚠ DİKKAT

Yaralanma tehlikesi Kirlenmiş kontaklardaki kaçak akımlar nedeniyle.

► Çıkarılabilir elektrik soket bağlantısını sadece temiz, kuru ve gerilimsiz bir durumdayken elektrikli el aletine bağlayınız.

► Geçmeli şebeke kablosunun bağlayınız/ayırınız.

5.2.1 Geçmeli şebeke kablosunun bağlanması

⚠ DİKKAT

Yaralanma tehlikesi Kirlenmiş kontaklardaki kaçak akımlar nedeniyle.

► Çıkarılabilir elektrik soket bağlantısını sadece temiz, kuru ve gerilimsiz bir durumdayken elektrikli el aletine bağlayınız.

1. Kodlanmış, sökülebilir elektrikli soket bağlantısını dayanak noktasına kadar alete yerleştiriniz, kilit duyulu şekilde yerine oturuncaya kadar itiniz.

2. Şebeke fişini prize takınız.

5.2.2 Geçmeli şebeke kablosunun elektrikli el aletinden ayrılması

1. Şebeke fişini prizden çekiniz.

2. Kodlanmış, sökülebilir kilitleme tuşuna basınız ve Kodlanmış, sökülebilir elektrikli soket bağlantısını sökünüz.

3. Şebeke kablosunu aletten çıkarınız.

6 Bakım ve onarım

⚠ İKAZ

Takılı aküden dolayı yaralanma tehlikesi !

► Tüm bakım ve onarım çalışmalarından önce her zaman aküyü çıkarınız!

Alet bakımı

- Yapışmış olan kir dikkatlice çıkarılmalıdır.
- Havalandırma deliklerini kuru bir fırça ile dikkatlice temizleyiniz.
- Gövde sadece hafif nemli bir bezle temizlenmelidir. Plastik parçalara yapışabileceğinden silikon içerikli bakım maddeleri kullanılmamalıdır.

Lityum İyon akülerin bakımı

- Akü temiz ve yağ ve gresten uzak tutulmalıdır.
- Gövde sadece hafif nemli bir bezle temizlenmelidir. Plastik parçalara yapışabileceğinden silikon içerikli bakım maddeleri kullanılmamalıdır.
- Aletin içine nem girişi engellenmelidir.

Bakım

- Görünür tüm parçalarda hasar olup olmadığı ve kumanda elemanlarının sorunsuz şekilde çalıştığı kontrol edilmelidir.
- Hasar ve/veya fonksiyon arızaları durumunda ürün çalıştırılmamalıdır. Derhal **Hilti** servisi tarafından onarılmalıdır.
- Bakım ve onarım çalışmalarından sonra tüm koruma tertibatları yerleştirilmeli ve fonksiyonları kontrol edilmelidir.



Güvenli çalışma için sadece orijinal yedek parçalar ve sarf malzemeleri kullanınız. Tarafımızdan onaylanmış, yedek parçaları, aksesuarları ve sarf malzemelerini **Hilti Store** veya adresinde bulabilirsiniz. www.hilti.group.

7 Taşıma ve depolama

- Elektrikli cihazı takımlar takılı iken taşımayınız.
- Elektrikli cihazı daima şebeke fişi çekili olarak saklayınız.



- Aleti çocukların ve yetkisiz kişilerin erişemeyeceği ve kuru yerlerde saklayınız.
- Uzun süren nakliye veya depolama sonrası kullanmadan önce elektrikli aletin hasar görmüş olup olmadığını kontrol ediniz.


8 Arıza durumunda yardım

Bu tabloda listelenmemiş veya kendi başınıza gideremediğiniz arızalarda lütfen yetkili **Hilti** servisimiz ile irtibat kurunuz.

8.1 Hata arama

Arıza	Olası sebepler	Çözüm
Keski tabancası çalışmıyor.	Elektronik başlatılıyor (soket takıldıktan itibaren yaklaşık 4 saniyede). Elektronik çalışma blokajı güç kaynağı kesikliğinden sonra aktiftir.	► Aleti kapatınız ve tekrar açınız.
	Şebeke güç kaynağı kesilmiş.	► Başka bir elektrikli alet takınız ve çalışıp çalışmadığını kontrol ediniz.
	Jeneratör uyku modunda.	► Jeneratörü ikinci bir tüketici (örneğin şantiye lambası) ile yük altına alınız. Ardından aleti kapatınız ve tekrar açınız.
	Geçmeli şebeke kablosu doğru takılmamış.	► Geçmeli şebeke kablosunu elektrikli el aletine doğru şekilde bağlayınız.
Servis göstergesi kırmızı yanıyor.	Alette arıza ortaya çıktı veya servis zamanı geldi.	► Ürün sadece Hilti Service tarafından onarılmalıdır.
Servis göstergesi kırmızı yapıp sönyüyor.	Güç kaynağının gerilimi çok yüksek	► Prizi değiştiriniz. Şebekeyi kontrol ediniz.
	Aşırı sıcaklık koruması.	► Aleti soğumaya bırakınız. Havalandırma deliklerini temizleyiniz. Boşta çalışmaya devam edilebilir.
Darbe yok.	Alet çok soğuk.	► Keski tabancasını zemine yerleştiriniz ve boşta çalıştırınız. Darbe mekanizması çalışıncaya kadar gerektiği kadar tekrarlayınız.
Keski tabancası çalışmıyor veya çalışırken kapanıyor.	Uzatma kablosu çok uzun ve / veya kesitleri yetersiz.	► Uzatma kablosu izin verilen uzunlukta ve / veya yeterli kesitte kullanılmalıdır.

9 İmha

 **Hilti** aletleri yüksek oranda geri dönüşümlü malzemelerden üretilmiştir. Geri dönüşüm için gerekli koşul, usulüne uygun malzeme ayırımıdır. Çoğu ülkede **Hilti**, eski aletlerini yeniden değerlendirmek üzere geri alır. Bu konuda **Hilti** müşteri hizmetlerinden veya satış temsilcinizden bilgi alabilirsiniz.



- Elektrikli el aletlerini, elektronik cihazları ve aküleri evdeki çöplere atmayınız!

10 RoHS (Tehlikeli madde kullanımını kısıtlama direktifi)

Aşağıdaki linkte tehlikeli maddeler tablosunu bulabilirsiniz: qr.hilti.com/r4783.
RoHS tablosunun linkini bu dokümanın sonunda QR kodu olarak bulabilirsiniz.



11 Üretici garantisi

- Garanti koşullarına ilişkin sorularınız için lütfen yerel **Hilti** iş ortağınıza başvurunuz.



1.1 حول هذا المستند

- اقرأ هذه المستندات بالكامل قبل التشغيل. يعتبر هذا شرطا للعمل بشكل آمن والاستخدام بدون اختلافات.
- تراعى إرشادات الأمان والإرشادات التحذيرية الواردة في هذا المستند وعلى الجهاز.
- احتفظ بدليل الاستعمال دائما مع المنتج، ولا تعطي الجهاز لآخرين إلا مرفقا بهذا الدليل.

2.1 شرح العلامات

1.2.1 إرشادات تحذيرية

تنبه الإرشادات التحذيرية إلى الأخطار الناشئة عند التعامل مع الجهاز. يتم استخدام الكلمات الدليلية التالية:



خطر!

تشير لخطر مباشر يؤدي لإصابات جسدية خطيرة أو إلى الوفاة.



تحذير!

تشير لخطر محتمل قد يؤدي لإصابات جسدية خطيرة أو إلى الوفاة.



احترس!

تشير لموقف خطر محتمل يمكن أن يؤدي لإصابات جسدية خفيفة أو أضرار مادية.

2.2.1 الرموز في المستند

يتم استخدام الرموز التالية في هذا المستند:

قبل الاستخدام اقرأ دليل الاستعمال	
إرشادات الاستخدام ومعلومات أخرى مفيدة	
التعامل مع مواد قابلة لإعادة التدوير	
لا تتخلص من الأجهزة الكهربائية البطاريات ضمن القمامة المنزلية	

3.2.1 الرموز في الصور

تستخدم الرموز التالية في الرسوم التوضيحية:

تشير هذه الأعداد إلى الصور المعنية بمطلع هذا الدليل	2
ترقيم الصور يمثل ترتيب خطوات العمل في الصور، وقد يختلف عن ترقيم خطوات العمل في النص	3
يتم استخدام أرقام المواضع في صورة العرض العام وهي تشير إلى أرقام تعليق الصورة في فصل عرض عام للمنتج	⑪
ينبغي أن تسترعي هذه العلامة اهتماما خاصا عند التعامل مع المنتج.	

3.1 الرموز على المنتج

1.3.1 الرموز على المنتج

يمكن استخدام الرموز التالية على المنتج:

فئة الحماية II (عزل مزدوج)	
----------------------------	--





يُحظر النقل بالرافعة



نقل البيانات لاسلكيا

4.1 معلومات المنتج

منتجات **Hilti** مصممة للمستخدمين المحترفين ويقتصر استعمالها وصيانتها وإصلاحها على الأشخاص المعتمدين والمدربين جيدا. هؤلاء الأشخاص يجب أن يكونوا قد تلقوا تدريباً خاصاً على الأخطار الطارئة. قد يتسبب المنتج وأدواته المساعدة في حدوث أخطار إذا تم التعامل معها بشكل غير سليم فنياً من قبل أشخاص غير مدربين أو تم استخدامها بشكل غير مطابق للتعليمات.

يوجد مسمى الطراز والرقم المسلسل على لوحة الصنع.

انقل الرقم المسلسل في الجدول التالي. ستحتاج إلى بيانات المنتج في حالة الاستفسارات الموجهة إلى ممثلينا أو مركز الخدمة.

بيانات المنتج – صفحة 140

بيانات المنتج

الإزميل الدقاق	TE 3000-AVR
الجيل	01
الرقم المسلسل	

5.1 بيان المطابقة

نقر على مسؤوليتنا الفردية بأن المنتج المشروع هنا متوافق مع التشريعات والمواصفات المعمول بها. تجد صورة لبيان المطابقة في نهاية هذا المستند.

المستندات الفنية محفوظة هنا:

Hilti Entwicklungsgesellschaft mbH | Zulassung Geräte | Hiltistraße 6 | 86916 Kaufering, DE

2 السلامة

1.2 إرشادات السلامة العامة المتعلقة بالأدوات الكهربائية

⚠ تحذير احرص على قراءة جميع إرشادات السلامة والتعليمات. أي تقصير أو إهمال في تطبيق إرشادات السلامة والتعليمات قد يتسبب في حدوث صدمة كهربائية أو حريق و/أو إصابات خطيرة.

احتفظ بجميع مستندات إرشادات السلامة والتعليمات لاستخدامها عند الحاجة إليها فيما بعد.

يقصد بمصطلح «الأداة الكهربائية» الوارد ذكره في إرشادات السلامة الأدوات الكهربائية المشغلة بالكهرباء (باستخدام كابل الكهرباء) وكذلك الأدوات الكهربائية المشغلة بالبطاريات (بدون كابل الكهرباء).

سلامة مكان العمل

- حافظ على نطاق عملك نظيفاً ومضاءً بشكل جيد. الفوضى أو أماكن العمل غير المضاءة يمكن أن تؤدي لوقوع حوادث.
- لا تعمل بالأداة الكهربائية في محيط معرض لخطر الانفجار يتواجد به سائل أو غازات أو أنواع غبار قابلة للاشتعال. الأدوات الكهربائية تولد شرراً يمكن أن يؤدي لإشعال الغبار والأبفرة.
- احرص على إبعاد الأطفال الآخرين أثناء استخدام الأداة الكهربائية. في حالة انصراف انتباهك قد تفقد السيطرة على الجهاز.

السلامة الكهربائية

- يجب أن يكون قابس توصيل الأداة الكهربائية متلائماً مع المقبس. لا يجوز تعديل القابس بأي حال من الأحوال. لا تستخدم قوالب مهايأة مع أدوات كهربائية ذات وصلة أرضي محمية. القوالب غير المعدلة والمقابس الملائمة تقلل من خطر حدوث صدمة كهربائية.
- تجنب حدوث تلامس للجسم مع أسطح مؤرضة مثل الأسطح الخاصة بالمواسير وأجهزة التدفئة والمواقد والثلاجات. ينشأ خطر متزايد من حدوث صدمة كهربائية عندما يكون جسمك متصلاً بالأرض.
- أبعد الأدوات الكهربائية عن الأمطار أو البلل. تسرب الماء إلى داخل الأداة الكهربائية يزيد من خطر حدوث صدمة كهربائية.



- لا تستخدم الكابل في الغرض غير المخصص له، كأن تستخدمه لحمل الأداة الكهربائية أو تعليقها أو لسحب القابس من المقبس. احتفظ بالكابل بعيدا عن السخونة والزيت والحواف الحادة والأجزاء المتحركة للجزء. الكابلات التالفة أو المتشابكة تزيد من خطر حدوث صدمة كهربائية.
- عندما تعمل بأداة كهربائية في مكان مكشوف، لا تستخدم سوى كابلات الإطالة المناسبة للعمل في النطاق الخارجي. استخدام كابل إطالة مناسب للعمل في النطاق الخارجي يقلل من خطر حدوث صدمة كهربائية.
- إذا تعذر تجنب تشغيل الأداة الكهربائية في محيط رطب، فاستخدم مفتاح حماية من تسرب التيار. استخدام مفتاح الحماية من تسرب التيار يقلل خطر حدوث صدمة كهربائية.

سلامة الأشخاص

- كن يقظا وانتبه لما تفعل وتعامل مع الأداة الكهربائية بتعقل عند العمل بها. لا تستخدم الأداة الكهربائية عندما تكون متعبا أو تحت تأثير المخدرات أو الكحوليات أو العقاقير. فقد يتسبب عدم الانتباه للحظة واحدة أثناء الاستخدام في حدوث إصابات بالغة.
- ارتد تجهيزات وقاية شخصية وارتد دائما نظارة واقية. ارتداء تجهيزات وقاية شخصية، مثل قناع الوقاية من الغبار والحماية الأمان المضادة للانزلاق وخوذة الوقاية أو واقى السمع، تبعا لنوع واستخدام الأداة الكهربائية، يقلل من خطر الإصابات.
- تجنب التشغيل بشكل غير مقصود. تأكد أن الأداة الكهربائية مطفأة قبل توصيلها بالكهرباء و/أو بالبطارية وقبل رفعها أو حملها. إذا كان إصبعك على المفتاح عند حمل الأداة الكهربائية أو كان الجهاز في وضع التشغيل عند التوصيل بالكهرباء، فقد يؤدي ذلك لوقوع حوادث.
- ابتعد أدوات الضبط أو مفاتيح ربط البراغي قبل تشغيل الأداة الكهربائية. الأداة أو المفتاح المتواجد في جزء دوار من الجهاز يمكن أن يؤدي لحدوث إصابات.
- تجنب اتخاذ وضع غير طبيعي للجسم. احرص على أن تكون واقفا بأمان وحافظ على توازنك في جميع الأوقات. من خلال ذلك تستطيع السيطرة على الأداة الكهربائية بشكل أفضل في المواقف المفاجئة.
- ارتد ملابس مناسبة. لا ترتد ملابس فضفاضة أو حلي. احرص على أن يكون الشعر والملابس والقفازات بعيدة عن الأجزاء المتحركة. الملابس الفضفاضة أو الحلي أو الشعر الطويل يمكن أن تشبك في الأجزاء المتحركة.
- إذا أمكن تركيب تجهيزات شفط وتجميع الغبار، فتأكد أنها موصلة ومستخدمة بشكل سليم. استخدام تجهيزة شفط الغبار يمكن أن يقلل الأخطار الناتجة عن الغبار.

استخدام الأداة الكهربائية والتعامل معها

- لا تفرط في التحميل على الجهاز. استخدم الأداة الكهربائية المناسبة للعمل الذي تقوم به. استخدام الأداة الكهربائية المناسبة يتبع لك العمل بشكل أفضل وأكثر أمانا في نطاق العمل المقرر.
- لا تستخدم أداة كهربائية ذات مفتاح تالف. الأداة الكهربائية التي لم يعد يمكن تشغيلها أو إطفائها تمثل خطورة ويجب إصلاحها.
- اسحب القابس من المقبس و/أو اخلع البطارية من الجهاز قبل إجراء عمليات ضبط الجهاز، أو استبدال أجزاء والملحقات التكميلية أو عند ترك الجهاز. هذا الإجراء الوقائي يمنع بدء تشغيل الأداة الكهربائية دون قصد.
- احتفظ بالأدوات الكهربائية غير المستخدمة بعيدا عن متناول الأطفال. لا تسمح باستخدام الجهاز من قبل أشخاص ليسوا على دراية به أو لم يقرأوا هذه التعليمات. الأدوات الكهربائية خطيرة في حالة استخدامها من قبل أشخاص ليست لديهم الخبرة الواجبة .
- احرص على العناية التامة بالأدوات الكهربائية. افحص الأجزاء المتحركة من حيث أداؤها لوظيفتها بدون مشاكل وعدم انحصارها وافحصها من حيث وجود أجزاء مكسورة أو متعرضة للضرر يمكن أن تؤثر سلبا على وظيفة الأداة الكهربائية. اعمل على إصلاح الأجزاء التالفة قبل استخدام الجهاز. الكثير من الحوادث مصدرها الأدوات الكهربائية التي تم صيانتها بشكل رديء.
- حافظ على أدوات القطع حادة ونظيفة. تتميز أدوات القطع ذات حواف القطع الحادة المعتنى بها بدقة بأنها أقل عرضة للتعثّر وأسهل في التعامل.
- استخدم الأداة الكهربائية والملحقات التكميلية وأدوات العمل وخلافه طبقا لهذه التعليمات. احرص في هذه الأثناء على مراعاة اشتراطات العمل والمهمة المراد تنفيذها. استخدام الأدوات الكهربائية في تطبيقات غير تلك المقررة لها يمكن أن يؤدي لمواقف خطيرة.

الخدمة

- اعمل على إصلاح أدواتك الكهربائية على أيدي فنيين معتمدين فقط والاقصر على استخدام قطع الغيار الأصلية. وبذلك تتأكد أن سلامة الأداة الكهربائية تظل قائمة.



- استخدم واقيا للسمع. لذا يرجى مراعاة أن الضجيج الصاخب يمكن أن يُفقدك القدرة على السمع.
- استخدم المقابض الإضافية الموردة مع الجهاز. فقدان السيطرة يمكن أن يؤدي لوقوع إصابات.
- أمسك الجهاز من مواضع المسك المعزولة عند إجراء أعمال يتحمل فيها أن تتلاصق أداة الشغل مع أسلاك كهربائية مخفية أو مع سلك الكهرباء للجهاز ذاته. حيث أن ملامسة سلك يسري فيه التيار الكهربائي يمكن أن ينقل الجهد الكهربائي للأجزاء المعدنية بالجهاز ويؤدي لحدوث صدمة كهربائية.

3.2 إرشادات إضافية للسلامة

سلامة الأشخاص

- اقتصر على استخدام الجهاز وهو في حالة سليمة من الناحية الفنية.
- لا تقم أبداً بتدخلات أو تغييرات على الجهاز.
- أثناء أعمال الثقب قم بتأمين النطاق الواقع على الجهة المقابلة للعمل. الشطايا المتناثرة يمكن أن تتطاير و/أو تسقط وتصيب الآخرين.
- تأكد أن المقبض الجانبي مركب ومثبت بشكل سليم. أمسك الجهاز دائما بيدك من المقابض المعنية. حافظ على المقابض جافة ونظيفة وخالية من الزيت والشحم.
- خذ قسطاً من الراحة أثناء العمل وقم بتمارين استرخاء لسريان الدم في الأصابع بشكل أفضل. عند القيام بأعمال لفترات طويلة فقد يحدث اضطرابات في الأوعية الدموية أو الجهاز العصبي بسبب كثرة الاهتزازات على الأصابع، الأيدي أو معصم اليد.
- الجهاز غير مخصص للاستخدام من قبل الأشخاص ذوي البنية الضعيفة دون تدريبهم.
- احفظ الجهاز بعيداً عن متناول الأطفال.
- احرص قبل بدء العمل على معرفة فئة خطر الغبار الناشئ عند إجراء العمل. استخدم شفاط غبار أعمال الإنشاءات ذي فئة حماية مصرع بها رسمياً ومطابق للتعليمات المحلية الخاصة بالحماية من الغبار.
- استخدم شفاط الغبار ومزيل الغبار المحمول المناسب إن أمكن. الغبار الناتج عن خامات مثل الطلاء المحتوي على الرصاص وبعض أنواع الأخشاب والفرسانة/الجران والصخور المتوتية على الكوارتز والمعادن الصخرية والمعادن هو غبار ضار بالصحة.
- احرص على وجود تهوية جيدة لمكان العمل وارتد عند اللزوم قناع تنفس مخصص لنوعية الغبار المنبعث. ملامسة أو استنشاقه قد يسبب أعراض حساسية و/أو أمراض الجهاز التنفسي للمستخدم أو للأشخاص المتواجدين على مقربة منه. هناك أنواع معينة مسرطنة من الغبار مثل غبار خشب البلوط أو غبار خشب الزان، ولا سيما إذا ارتبطت هذه الأنواع بمواد إضافية لمعالجة الأخشاب (مثل الكروم ومواد حماية الأخشاب). لا يجوز التعامل مع المواد المحتوية على الأسبتوس إلا من قبل فنيين متخصصين.

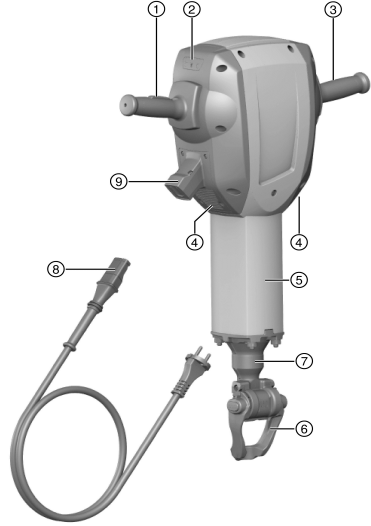
السلامة الكهربائية

- قبل بدء الأعمال افحص نطاق العمل من حيث وجود توصيلات كهرباء مغطاة أو مواسير للغاز والماء. الأجزاء المعدنية الخارجية بالجهاز يمكن أن تتسبب في صدمة كهربائية، إذا قمت دون قصد بإتلاف إحدى توصيلات التيار.
- افحص أسلاك توصيل الجهاز بشكل منتظم وعند تلفها اعمل على تغييرها بمعرفة فني معتمد. في حالة تعرض سلك توصيل الأداة الكهربائية للتلف يجب استبداله بسلك التوصيل المخصص والمسموح به لهذا الغرض والذي يجب الحصول عليه من خلال خدمة العملاء. افحص توصيلات الإطالة بشكل منتظم واستبدلها عندما تتلف. في حالة تلف كابل الكهرباء، أو كابل الإطالة أثناء العمل، فلا يجوز لمس الكابل. اسحب القابس الكهربائي من المقبس. أسلاك التوصيل وتوصيلات الإطالة التالفة تمثل خطراً من خلال حدوث صدمة كهربائية.
- اعمل على فحص الأجهزة المتسخة على فترات زمنية منتظمة لدى خدمة Hilti في حالة التعامل المتكرر مع مواد موصلة للكهرباء. حيث يمكن أن يؤدي الغبار الملتصق بسطح الجهاز ولاسيما الغبار الناتج من مواد موصلة للكهرباء، أو الرطوبة إلى التعرض لصعقة كهربائية في بعض الظروف غير الملائمة.
- في حالة انقطاع التيار أطفئ الجهاز واسحب القابس الكهربائي. ومن شأن هذا أن يمنع التشغيل غير المقصود للجهاز عند عودة الجهد الكهربائي.

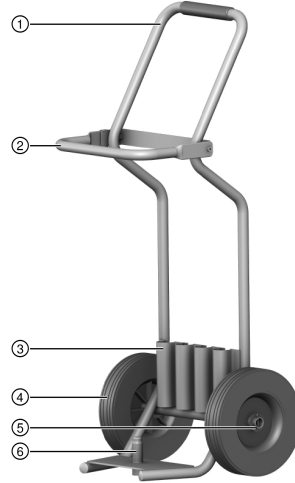


1.3 نظرة عامة على المنتج

- ① مفتاح التشغيل/الإيقاف
- ② مبین الخدمة
- ③ المقبض
- ④ فتحات التهوية
- ⑤ الماسورة الدليلية
- ⑥ وسيلة تأمين الأداة/مشبك الغلق
- ⑦ ظرف تركيب الأدوات
- ⑧ كابل الكهرباء مع وصلة مقبسية مشفرة
- ⑨ وصلة بالجهاز الكهربائي



- ① المقبض
- ② مشبك التثبيت
- ③ حامل لأدوات الشغل (الأزاميل)
- ④ العجلات
- ⑤ وسيلة تأمين العجلة (قرص، تيلة خابور)
- ⑥ طرف تركيب الماكينة



3.3 الاستخدام المطابق للتعليمات

المنتج المشروع عبارة عن إزميل دقاق يستعمل يدويا مزود بطرف تركيب أدوات سداسي المقطع 28 مم. وهو مخصص للنقر في الخرسانة والجدران والأسفلت. وهناك استعمالات أخرى مثل الهرس والحفر. ◀ يجب ألا يتم التشغيل إلا بالتردد والجهد الكهربائي المذكورين على لوحة الصنع.

4.3 الاستخدام الخاطئ المحتمل

هذا المنتج غير مخصص للعمل مع الخامات الضارة بالصحة.
هذا المنتج غير مناسب للعمل في البيئات الرطبة.

5.3 مابين الخدمة

الإزميل الدقاق مجهز بمبين خدمة به إشارة ضوئية.

الحالة	الاستعمال
يضيء مابين الخدمة باللون الأحمر.	هذا يعني أنه حان موعد إجراء الخدمة. وجود أضرار بالجهاز.
يومض مابين الخدمة باللون الأحمر.	الحماية من السخونة المفرطة الجهد الكهربائي بمصدر الإمداد بالجهد الكهربائي مرتفع للغاية.

أحضر المنتج إلى مركز خدمة Hilti في الوقت المناسب. وبذلك يبقى الجهاز دائما جاهز للتشغيل.



6.3 Active Vibration Reduction (AVR)

الإزميل الدقاق مزود بنظام Active Vibration Reduction (AVR) (مخمد الاهتزاز الفعال) والذي يقلل من الاهتزازات بشكل فائق.

7.3 مجموعة التجهيزات الموردة

الإزميل الدقاق، دليل الاستعمال، شحم. تتوفر العربة الناقلة كملحق.

تجد المزيد من منتجات النظام المسموح بها لمنتجك لدى مركز Hilti الذي تتعامل معه أو على موقع الإنترنت: www.hilti.group

4 المواصفات الفنية

يرجى التعرف على الجهد الاسمي والتيار الاسمي والتردد و/أو الاستهلاك الاسمي من لوحة صنع الجهاز الخاصة بالبلد المعني.

في حالة التشغيل من مولد أو محمول، فإنه يجب ألا تقل قدرة الخرج الخاصة به عن ضعف قدرة الدخل الاسمية الواردة على لوحة صنع الجهاز. جهد تشغيل المحمول أو المولد يجب أن يكون دائما في نطاق +5 % و -15 % من الجهد الكهربائي الاسمي للجهاز.

TE 3000-AVR	
الوزن طبقا لبروتوكول EPTA 01	29.9 كجم
طاقة الطرق الفردي طبقا لبروتوكول EPTA	68 جول
درجة حرارة التخزين	-20 °م ... 70 °م
درجة الحرارة المحيطة أثناء التشغيل	-17 °م ... 60 °م

1.4 قيم الضوضاء والاهتزاز طبقا للمواصفة EN 62841

تم قياس ضغط الصوت وقيم الاهتزاز الواردة في هذا الدليل طبقا لأحد معايير القياس المحددة ويمكن الاستعانة بها في إجراء مقارنة بين الأدوات الكهربائية مع بعضها البعض. وهي مناسبة أيضا لتقدير حجم المخاطر بصورة أولية.

المواصفات الواردة تتعلق بالاستخدامات الأساسية للأداة الكهربائية. أما إذا تم استخدام الأداة الكهربائية في تطبيقات أخرى مع أدوات شغل مخالفة للمواصفات أو دون صيانة كافية، ففي هذه الحالة قد تختلف المواصفات. وقد يزيد هذا من نسبة المخاطر طوال مدة العمل بصورة واضحة.

وللحصول على تقدير دقيق لحجم المخاطر ينبغي أيضا مراعاة الأوقات التي يتم فيها إيقاف الجهاز أو التي يتم فيها تشغيل الجهاز ولكن دون استخدام حقيقي. وقد يقلل هذا من نسبة المخاطر طوال مدة العمل بصورة واضحة. احرص على اتخاذ إجراءات إضافية للسلامة من شأنها حماية المستخدم من تأثير الضجيج و/أو الاهتزازات مثل: صيانة الأداة الكهربائية وأدوات الشغل والمحافظة على الأيدي في حالة دافئة وتنظيم مراحل العمل.

معلومات الضجيج

مستوى شدة الصوت (L_{WA})	105 ديسيبل (A)
نسبة التفاوت لمستوى شدة الصوت (K_{WA})	3 ديسيبل (A)
مستوى ضغط الصوت (L_{pA})	94 ديسيبل (A)
نسبة التفاوت لمستوى ضغط الصوت (K_{pA})	3 ديسيبل (A)

معلومات الاهتزاز

النقر بالإزميل ($a_{h, Chreq}$)	7 م/ثانية ²
نسبة التفاوت (K)	1.5 م/ثانية ²



تحذير 

خطر بسبب الكابلات التالفة! في حالة تلف كابل الكهرباء أو كابل الإطالة أثناء العمل، فإنه لا يجوز لمس الكابل. اسحب القابس الكهربائي من المقبس.

- ◀ افحص أسلاك توصيل الجهاز بشكل منتظم وعند تلفها اعمل على تغييرها بمعرفة فني معتمد.
- لا تستخدم سوى كابل إطالة مسموح به في نطاق العمل المعني ويراعى أن يكون ذا مقطع عرضي كاف. وإلا فمن الممكن أن يقل أداء الجهاز ويسخن الكابل بشدة.
- افحص كابل الإطالة بانتظام للتأكد من عدم وجود أضرار به.
- اعمل على تغيير كابلات الإطالة التالفة.
- في الأماكن المكشوفة لا تستخدم سوى كابل إطالة مصرح به لذلك ومذكور عليه ما يفيد ذلك.

القيم الموصى بها للحد الأدنى للمقاطع العرضية والحد الأقصى لأطوال الكابلات عند جهد كهربائي 120 فلت

AWG 10	AWG 12	AWG 14	AWG 16	كابل
5,26 mm ²	3,31 mm ²	2,08 mm ²	1,31 mm ²	المقطع العرضي للسلك
10,4 kcmil	6,53 kcmil	4,11 kcmil	2,58 kcmil	المقطع العرضي للسلك
100 m	50 m	30 m	25 m	طول الكابل
250 ft	150 ft	100 ft	75 ft	طول الكابل

5 الاستعمال


1.5 التحضير للعمل

احترس: 

خطر الإصابة! تشغيل الجهاز بشكل غير مقصود.

- ◀ اسحب القابس الكهربائي، قبل إجراء عمليات ضبط الجهاز أو تغيير أجزاء الملحقات.

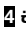
تراجعى إرشادات الأمان والإرشادات التحذيرية الواردة في هذا المستند وعلى الجهاز.

1.1.5 تركيب أداة الشغل 

i قبل كل استخدام، افحص الأداة للتأكد من عدم وجود أضرار بها وتأكل غير متساوي وقم بتغييرها عند اللزوم. افحص مشبك الغلق من حيث وجود اتساخات أو أضرار.

1. قم بتزليق طرف إدخال أداة الشغل قليلاً.
2. افتح مشبك الغلق.
3. أدخل أداة الشغل في طرف تركيب الأدوات حتى النهاية.
4. اضبط مشبك الغلق على وضع الغلق A مع الأدوات ذات الشفة.
5. اضبط مشبك الغلق على وضع الغلق B مع الأدوات ذات الحز.
 - ⇨ واضبط الإزميل بحيث يشير الحز إلى اتجاه وضع الغلق B.
6. اختبر مدى إحكام القفل من خلال شد الأداة.
 - ⇨ الأدوات المشتركة التي تجمع بين الشفة والحز يمكن إحكام قفلها حسب الرغبة في وضع الغلق A و B.

i اقتصر على استخدام الشمع الأصلي من Hilti. قد يؤدي استخدام شمع غير مناسب إلى تعرض المنتج للضرر.

2.1.5 إخراج الأداة 

تحذير 

خطر الإصابة من الممكن أن تسخن الأداة نتيجة الاستخدام وقد تظهر بها حواف حادة. ارتد قفازا واقيا أثناء تغيير الأدوات.



⚠️ خطر

خطر الحريق خطر التلامس بين أداة الشغل الساخنة والمواد سهلة الاشتعال.
 ◀ لا تضع الأداة وهي ساخنة على مواد سهلة الاشتعال.

⚠️ تحذير

خطر الإصابة خطر الإصابة بحروق من جراء الأسطح الساخنة.
 ◀ تجنب ملامسة الجسم للماسورة الدليلية لأنها تسخن من خلال الاستخدام.

1. افتح مشبك الغلق.
2. أخرج أداة الشغل من ظرف تركيب الأدوات.

2.5 كابل الكهراء القابل للإدخال

⚠️ احترس:

خطر الإصابة من جراء التيار الكهربائي المتسرب في حالة وجود أطراف توصيل متسخة.
 ◀ لا تقم بتوصيل الوصلة المقبسية الكهربائية القابلة للتركيب بالجهاز الكهربائي إلا وهي في حالة نظيفة وجافة ولا يسري بها جهد كهربائي.

◀ توصيل/خلع كابل الكهراء القابل للإدخال.

1.2.5 توصيل كابل الكهراء القابل للإدخال

⚠️ احترس:

خطر الإصابة من جراء التيار الكهربائي المتسرب في حالة وجود أطراف توصيل متسخة.
 ◀ لا تقم بتوصيل الوصلة المقبسية الكهربائية القابلة للتركيب بالجهاز الكهربائي إلا وهي في حالة نظيفة وجافة ولا يسري بها جهد كهربائي.

1. أدخل الوصلة المقبسية الكهربائية المكودة القابلة للتركيب في الجهاز حتى النهاية، إلى أن يثبت القفل بصوت مسموع.
2. أدخل القابس الكهربائي في المقبس.

2.2.5 فصل قابس الكهراء القابل للإدخال عن الجهاز الكهربائي

1. اسحب القابس الكهربائي من المقبس.
2. اضغط على زر التثبيت وأدخل الوصلة المقبسية الكهربائية المكودة القابلة للتركيب.
3. اسحب الكابل الكهربائي من الجهاز.

6 العناية والصيانة

⚠️ تحذير

خطر الإصابة عند تكون البطارية مركبة!
 ◀ احرص على خلع البطارية دائماً قبل جميع أعمال الإصلاح والعناية!

العناية بالجهاز

- قم بإزالة الاتساخ الملتصق بحرص.
- قم بتنظيف فتحات التهوية بحرص باستخدام فرشاة جافة.
- نظف جسم الجهاز باستخدام قطعة قماش مبللة بعض الشيء. لا تستخدم مواد عناية تحتوي على السيليكون لما قد تتسبب فيه من الإضرار بالأجزاء البلاستيكية.

العناية ببطاريات أيونات الليثيوم

- حافظ على البطارية نظيفة وخالية من الزيت والشحم.
- نظف جسم الجهاز باستخدام قطعة قماش مبللة بعض الشيء. لا تستخدم مواد عناية تحتوي على السيليكون لما قد تتسبب فيه من الإضرار بالأجزاء البلاستيكية.
- تجنب تسرب الرطوبة إليها.

الصيانة

- افحص جميع الأجزاء المرئية من حيث وجود أضرار وافحص عناصر الاستعمال من حيث كفاءتها الوظيفية.



- في حالة وجود أضرار و/أو اختلالات وظيفية لا تقم بتشغيل المنتج. احرص على الفور على إصلاحه لدى مركز خدمة Hilti.
- بعد أعمال العناية والإصلاح قم بتركيب جميع تجهيزات الحماية وافحصها من حيث الأداء الوظيفي.

للتشغيل الآمن اقتصِر على استخدام قطع الغيار الأصلية وخامات الشغل. تجد قطع الغيار وخامات الشغل والملحقات المصراع بها من قبلنا للمنتج الخاص بك في متجر **Hilti Store** أو على موقع الإنترنت: www.hilti.group

7 النقل والتخزين

- لا تنقل الجهاز الكهربائي بينما الأداة مدخلة فيه.
- عند تخزين الجهاز الكهربائي احرص دائما على سحب القابس الكهربائي.
- احرص على جفاف الجهاز والاحتفاظ به بعيدا عن متناول الأطفال والأشخاص غير المصرح لهم عند تخزينه.
- بعد النقل لمسافة طويلة أو التخزين افحص الجهاز الكهربائي من حيث وجود أضرار.

8 المساعدة في حالات الاختلالات

عند حدوث اختلالات غير مذكورة في الجدول أو يتعذر عليك معالجتها بنفسك، فيرجى التوجه إلى مركز خدمة Hilti.

1.8 تقصي الأخطاء

الخلل	السبب المحتمل	الحل
الإزميل الدقاق لا يبدأ في العمل.	جارى تهيئة الوحدة الإلكترونية (لمدة تصل إلى 4 ثوان تقريباً بدءاً من إدخال القابس). تم تفعيل مانع بدء التشغيل الإلكتروني بعد فترة انقطاع التيار الكهربائي.	قم بإيقاف الجهاز ثم أعد تشغيله.
	انقطاع الإمداد بالتيار الكهربائي.	قم بتوصيل جهاز كهربائي آخر وافحص التشغيل.
	المولد الكهربائي في خاصية السبات.	قم بتشغيل جهاز آخر مستهلك للكهرباء (مثل مصباح إضاءة موقع البناء) من المولد. ثم قم بإيقاف الجهاز ثم أعد تشغيله.
	لم يتم إدخال الكابل الكهربائي القابل للإدخال في الجهاز بشكل صحيح.	قم بتوصيل كابل الكهرباء القابل للإدخال بالجهاز الكهربائي بشكل صحيح.
يضيء مبین الخدمة باللون الأحمر.	ضرر بالجهاز أو حان موعد إجراء الخدمة.	اقتصِر على إصلاح المنتج لدى مركز خدمة Hilti.
يوميض مبین الخدمة باللون الأحمر.	الجهد الكهربائي بمصدر الإمداد بالجهد الكهربائي مرتفع للغاية	قم بتغيير المقبس الكهربائي. راجع الشبكة الكهربائية.
	الحماية من السخونة المفرطة.	اترك الجهاز يبرد. قم بتنظيف فتحات التهوية. كما يتاح التشغيل في الوضع الممايد أيضاً.
لا يتولد طرق.	الجهاز بارد للغاية.	ضع الإزميل الدقاق على الأرض واتركه يدور على الفارغ. عند اللزوم كرر هذه العملية حتى يعمل الطارق.
الإزميل الدقاق لا يبدأ في العمل أو يتوقف أثناء التشغيل.	كابل الإطالة طويل للغاية و/أو ذو مقطع عرضي ضئيل للغاية.	استخدم كابل إطالة ذا طول مسموح به و/أو ذا مقطع عرضي كاف.



أجهزة Hilti مصنوعة بنسبة كبيرة من مواد قابلة لإعادة التدوير. يشترط لإعادة التدوير أن يتم فصل الخامات بشكل سليم فنيا. في العديد من الدول تقوم شركة Hilti باستغلال الأجهزة القديمة لإعادة تدويرها. وللمعلومات حول ذلك اتصل بخدمة عملاء Hilti أو الموزع القريب منك.

◀ لا تعلق الأدوات الكهربائية، الأجهزة الإلكترونية والبطاريات ضمن القمامة المنزلية!



10 مواصفة RoHS (مواصفة تقييد استخدام المواد الخطيرة)

تجد جدولا بالمواد الخطرة تحت الرابط التالي: qr.hilti.com/r4783.
تجد رابط خاص بجدول المواد التي تخص المواصفة RoHS في نهاية هذا المستند على هيئة كود QR.

11 ضمان الجبة الصانعة

◀ في حالة وجود أية استفسارات بخصوص شروط الضمان، يرجى التوجه إلى وكيل Hilti المحلي الذي تتعامل معه.



1 文書について

1.1 本書について

- ご使用前に本書をすべてお読みください。このことは、安全な作業と問題のない取扱いのための前提条件となります。
- 本書および製品に記載されている安全上の注意と警告表示に注意してください。
- 取扱説明書は常に製品とともに保管し、他の人が使用する場合には、製品と取扱説明書を一緒にお渡しください。

1.2 記号の説明

1.2.1 警告表示

警告表示は製品の取扱いにおける危険について警告するものです。以下の注意喚起語が使用されています：



危険

危険！

▶ この表記は、重傷あるいは死亡事故につながる危険性がある場合に注意を促すために使われます。



警告

警告！

▶ この表記は、重傷あるいは死亡事故につながる可能性がある場合に注意を促すために使われます。



注意

注意！

▶ この表記は、軽傷あるいは物財の損傷が発生する可能性がある場合に使われます。

1.2.2 本書の記号

本書では、以下の記号が使用されています：



使用前に取扱説明書をお読みください



本製品を効率良く取り扱うための注意事項や役に立つ情報



リサイクル可能な部品の取扱い



工具およびバッテリーを一般ゴミとして廃棄してはなりません

1.2.3 図中の記号

図中では以下の記号が使用されています：



この数字は本取扱説明書冒頭にある該当図を示しています

3

付番は図中の作業手順の順序に対応していて、本文の作業手順とは一致しない場合があります



概要図には項目番号が付されていて、製品概要セクションの凡例の番号に対応しています



この記号は、製品の取扱いの際に特に注意が必要なことを示しています。

1.3 製品に表示されている記号

1.3.1 製品に表示されている記号

製品には以下の記号が使用されていることがあります：



電気絶縁保護クラス II (二重絶縁)



クレーンによる搬送禁止





1.4 製品情報

Hilti の製品はプロ仕様で製作されており、本体の使用、保守、修理を行うのは、認定を受けトレーニングされた人のみに限ります。これらの人は、遭遇し得る危険に関する情報を入手していなければなりません。製品およびアクセサリーの使用法を知らない者による誤使用、あるいは規定外の使用は危険です。

機種名および製造番号は銘板に表示されています。

- ▶ 製造番号を以下の表に書き写しておいてください。ヒルティ代理店やサービスセンターへお問い合わせの際には、製品データが必要になります。

製品データ → 頁 151

製品データ

電動ハツリ機	TE 3000-AVR
製品世代	01
製造番号:	

1.5 適合宣言

当社は、単独の責任において本書で説明している製品が有効な基準と標準規格に適合していることを宣言します。適合宣言書の複写は本書の末尾にあります。

技術資料は本書の後続の頁に記載されています：

Hilti Entwicklungsgesellschaft mbH | Zulassung Geräte | Hiltistraße 6 | 86916 Kaufering, DE

2 安全

2.1 電動工具の一般安全注意事項

⚠ 警告事項 安全上の注意および指示事項をすべてお読みください。これらを守らないと、感電、火災および / または重傷事故の危険があります。

安全上の注意および指示事項が書かれた説明書はすべて大切に保管してください。

安全上の注意で使用する用語「電動工具」とは、お手持ちの電動ツール（電源コード使用）およびバッテリーツール（コードレス）を指します。

作業環境に関する安全

- ▶ 作業場はきれいに保ち、十分に明るくしてください。ちらかった暗い場所での作業は事故を起こす恐れがあります。
- ▶ 爆発の危険のある環境（可燃性液体、ガスおよび粉じんのある場所）では電動工具を使用しないでください。電動工具から火花が飛散し、粉じんや揮発性ガスに引火する恐れがあります。
- ▶ 電動工具の使用時、子供や無関係者を作業場へ近づけないでください。作業中に気がそらされると、本体のコントロールを失ってしまう恐れがあります。

電気に関する安全注意事項

- ▶ 電動工具の接続プラグは電源コンセントにきちんと適合しなればなりません。プラグは絶対に変更しないでください。アースした電動工具と一緒にアダプタープラグを使用しないでください。オリジナルのプラグと適切なコンセントを使用することにより、感電の危険を小さくすることができます。
- ▶ パイプ、ラジエーター、電子レンジ、冷蔵庫などのアースされた面に体の一部が触れないようにしてください。体が触れると感電の危険が大きくなります。
- ▶ 電動工具を雨や湿気から保護してください。電動工具に水が浸入すると、感電の危険が大きくなります。
- ▶ 電動工具を持ち運んだり、吊り下げたり、コンセントからプラグを抜いたりするときは、必ず本体を持ち、電源コードを持って引く張ったりしないでください。電源コードを火気、オイル、鋭利な刃物、本体の可動部等に触れる場所に置かないでください。コードが損傷したり絡まったりしていると、感電の危険が大きくなります。
- ▶ 屋外工事の場合には、屋外専用の延長コードのみを使用してください。屋外専用の延長コードを使用すると、感電の危険が小さくなります。
- ▶ 湿った場所で電動工具を起動させる必要がある場合は、漏電遮断器を使用してください。漏電遮断器を使用すると、感電の危険が小さくなります。



作業者に関する安全

- ▶ 電動工具を使用の際には、油断せずに十分注意し、常識をもった作業をおこなってください。疲れている場合、薬物、医薬品服用およびアルコール飲用による影響下にある場合には電動工具を使用しないでください。電動工具使用中の一瞬の不注意が重傷の原因となることがあります。
- ▶ 個人用保護具および保護メガネを常に着用してください。けがに備え、電動工具の使用状況に応じた粉じんマスク、耐滑性の安全靴、ヘルメット、耳栓などの個人用保護具を着用してください。
- ▶ 電動工具の不意な始動は避けてください。電動工具を電源および / またはバッテリーに接続する前や本体を持ち上げたり運んだりする前に、本体がオフになっていることを必ず確認してください。オン / オフスイッチが入っている状態で電動工具のスイッチに指を掛けたまま運んだり、電源に接続したりすると、事故の原因となる恐れがあります。
- ▶ 電動工具のスイッチを入れる前に、必ず調節キーやレンチを取り外してください。調節キーやレンチが本体の回転部に装着されたままでは、けがの原因となる恐れがあります。
- ▶ 作業中は不安定な姿勢をとらないでください。足元を安定させ、常にバランスを保つようにしてください。これにより、万一電動工具が異常状況に陥った場合にも、適切な対応が可能となります。
- ▶ 作業に適した作業着を着用してください。だぶだぶの衣服や装身具を着用しないでください。髪、衣服、手袋を本体の可動部に近づけないでください。だぶだぶの衣服、装身具、長い髪が可動部に巻き込まれる恐れがあります。
- ▶ 吸じんシステムの接続が可能な場合には、これらのシステムが適切に接続、使用されていることを確認してください。吸じんシステムを利用することにより、粉じん公害を防げます。

電動工具の使用および取扱い

- ▶ 無理のある使用を避けてください。作業用途に適した電動工具を使用してください。適切な電動工具の使用により、効率よく、スムーズかつ安全な作業が行えます。
- ▶ スイッチに支障がある場合には、電動工具を使用しないでください。スイッチで始動および停止操作のできない電動工具は危険ですので、修理が必要です。
- ▶ 本体の設定やアクセサリーの交換を行う前や本体を保管する前には電源プラグをコンセントから抜くか、バッテリーを取り外してください。この安全処置により、電動工具の不意の始動を防止することができます。
- ▶ 電動工具をご使用にならない場合には、子供の手の届かない場所に保管してください。電動工具に関する知識のない方、本説明書をお読みでない方による本体のご使用はお避けください。未経験者による電動工具の使用は危険です。
- ▶ 電動工具は慎重に手入れしてください。可動部分が引っ掛かりなく正常に作動しているか、電動工具の運転に影響を及ぼす各部分が破損・損傷していないかを確認してください。電動工具を再度ご使用になる前に、損傷部分の修理を依頼してください。発生事故の多くは保守管理の不十分な電動工具の使用が原因となっています。
- ▶ 先端工具は鋭利で汚れない状態を保ってください。お手入れのゆきとどいた先端工具を使用すると、作業が簡単かつ、スムーズになります。
- ▶ 電動工具、アクセサリー、先端工具などは、それらの説明書に記載されている指示に従って使用してください。その際、作業環境および用途に関してもよくご注意ください。指定された用途以外に電動工具を使用すると危険な状況をまねく恐れがあります。

サービス

- ▶ 電動工具の修理は必ず認定サービスセンターにお申し付けください。また、必ず純正部品を使用してください。これにより電動工具の安全性が確実に維持されます。

2.2 ハンマーに関する安全上の注意

- ▶ 耳栓を着用してください。騒音により、聴覚に悪影響が出る恐れがあります。
- ▶ 本体には一緒に納品された補助ハンドルを使用してください。これ以外のハンドルを使用すると、コントロールを失ってけがをする恐れがあります。
- ▶ 隠れた電線や装置自体の電源コードに先端工具が接触する可能性のある作業を行う場合は、必ず本体の絶縁されたグリップを持ってください。通電しているケーブルと接触すると、本体の金属部分にも電圧がかかり、感電の危険があります。

2.3 その他の安全上の注意

作業者に関する安全

- ▶ 本体は、必ず技術的に問題のない状態で使用してください。
- ▶ 本体は決して加工や改造を加えないでください。
- ▶ 剥がし作業の場合には、作業側と反対の領域を保護してください。剥がれた部分が脱落、落下して他の人を負傷させる危険があります。



- ▶ サイドハンドルが正しく取り付けられ、しっかりと固定されていることを確認してください。本体は、常に両手でグリップを握ってしっかりと保持してください。グリップ表面は乾燥させ、清潔に保ち、オイルやグリスで汚さないようにしてください。
- ▶ 休憩を取って、指を動かして血行を良くするように心がけてください。長時間作業の際には、振動により指、手あるいは手首の関節の血管あるいは神経系に障害が発生する可能性があります。
- ▶ 本体は、体の弱い人が指示を受けずに使用するには向いていません。
- ▶ 本体は子供の手が届かないところに保管してください。
- ▶ 作業開始前に、作業場で発生する粉じんの危険有害度を調査してください。公的に承認された保護等級および地域の粉じんに関する規定を満たした工業用集じん機を使用してください。
- ▶ できるだけ集じん装置や適切な可動集じん装置を使用してください。含鉛塗料、特定の種類の木材、コンクリート / 石材、石英を含む岩石、鉱物および金属などの母材から生じた粉じんは、健康を害する恐れがあります。
- ▶ 作業場の良好な換気に注意し、必要に応じてそれぞれの粉じんに適した防じんマスクを着用してください。作業中や近くにいる人が粉じんに触れたり吸い込んだりすると、アレルギー反応や呼吸器疾患を起こす可能性があります。カシヤブナ材などの特定の粉じんは、特に木材処理用の添加剤（クロム塩酸、木材保護剤）が使用されている場合、発ガン性があるとされています。アスベストが含まれる母材は、必ず専門家が取り扱うようにしてください。

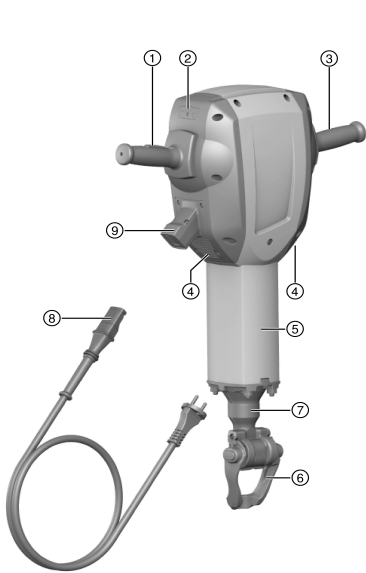
電気に関する安全注意事項

- ▶ 作業を開始する前に、作業領域に埋設された電線、ガス管や水道管がないかを調査してください。誤って電線を損傷すると、本体外側の金属部分により感電事故が発生する可能性があります。
- ▶ 本体の電源コードを定期的に点検し、コードに損傷がある場合は認定を受けた修理スペシャリストに交換を依頼してください。電動工具の電源コードが損傷した場合は、専用の承認された交換用電源コードと交換してください。交換用電源コードはヒルティサービスセンターにご注文ください。延長コードを定期的に点検し、損傷がある場合は交換してください。作業中、損傷した電源コード、延長コードには触れないでください。電源プラグをコンセントから抜きます。損傷した電源コードや延長コードは感電の原因となり危険です。
- ▶ 導電性のある母材に対する作業を頻繁に行う場合は、定期的にHilti サービスセンターに本体の点検を依頼してください。本体表面に汚れ（特に導電性の物質）が付着していたり、あるいは濡れていると、場合によっては感電の恐れがあります。
- ▶ 停電の際には、本体のスイッチを切り、電源プラグを抜いてください。これで、再び通電した時に本体が不意に始動するのを防ぐことができます。



3 製品の説明

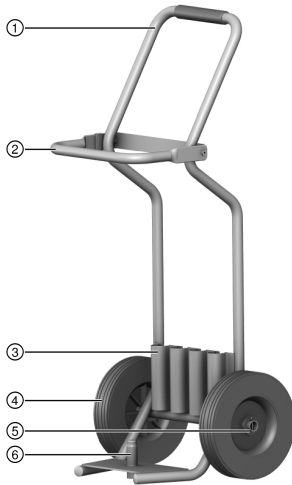
3.1 製品概要



- ① ON/OFF スイッチ
- ② サービスインジケータ
- ③ グリップ
- ④ 通気溝
- ⑤ ガイドチューブ
- ⑥ チャックロックスリーブ / ロッキングバー
- ⑦ チャック
- ⑧ コーディングされた脱着式プラグ付きの電源コード
- ⑨ 電動工具の接続部



3.2 搬送ワゴンのパーツ 2



- ① グリップ
- ② 固定フレーム
- ③ 消耗品（チゼル）用ホルダー
- ④ 車輪
- ⑤ 車輪ロック機構（ディスク、割ピン）
- ⑥ 機器支持ピン

3.3 正しい使用

本書で説明している製品は、28 mm 六角チャック付きの手持ち式電動ハツリ機です。本製品は、コンクリート、石材およびアスファルトのハツリ作業用の工具です。締固め（タンピング）および溝掘りにも使用できます。

▶ 必ず銘板に表示されている電圧、周波数で使用してください。

3.4 考えられる誤った使用

本製品は、健康を損なう危険のある母材を作業するには適していません。
本製品は、湿気の多い環境での作業には適していません。

3.5 サービスインジケータ

この電動ハツリ機は、サービスインジケータを装備しています。

状態	意味
サービスインジケータが赤色で点灯する。	作動時間がサービス期限に達しています。 本体の損傷。
サービスインジケータが赤色で点滅する。	過熱保護機構 供給電源の電圧が高すぎる。

遅滞なくHilti サービスセンターに本製品のサービス作業を依頼してください。これにより本製品は、常に使用可能な状態に維持されます。

3.6 Active Vibration Reduction (AVR)

電動ハツリ機は、振動を大幅に低減させるActive Vibration Reduction (AVR) システムを装備しています。



3.7 本体標準セット構成

電動ハツリ機、取扱説明書、グリス。
搬送ワゴンはオプションとして提供されています。

i その他の本製品用に許可されたシステム製品については、弊社営業担当またはHilti センターにお問い合わせいただくか、あるいはwww.hilti.groupでご確認ください。

4 製品仕様

i 定格電圧、定格電流、周波数および / または定格電力については、国別の銘板でご確認ください。

発電機または変圧器を使用する作業の場合は、それらは本体の銘板に記載されている定格電力より2倍以上大きな出力がなければなりません。変圧器または発電機の作動電圧は、常に本体の定格電圧の+5%...-15%の範囲内なければなりません。

	TE 3000-AVR
重量 (EPTA プロシージャ 01 準拠)	29.9 kg
1 回当たりの打撃力 (EPTA プロシージャ 準拠)	68 J
保管温度	-20 °C ... 70 °C
作動時の周囲温度	-17 °C ... 60 °C

4.1 騒音および振動値について (EN 62841 準拠)

本説明書に記載されているサウンドプレッシャー値および振動値は、規格に準拠した測定方法に基づいて測定したものです。電動工具を比較するのにご使用いただけます。曝露値の暫定的な予測にも適しています。記載されているデータは、電動工具の主要な使用方法に対する値です。電動工具を他の用途で使用したり、異なる先端工具を取り付けて使用したり、手入れや保守が十分でないまま使用した場合には、データが異なることがあります。このような相違により、作業時間全体で曝露値が著しく高くなる可能性があります。曝露値を正確に予測するためには、本体のスイッチをオフにしている時間や、本体が作動していても実際には使用していない時間も考慮しなければなりません。このような相違により、作業時間全体で曝露値が著しく低くなる可能性があります。

作業者を騒音および / または振動による作用から保護するために、他にも安全対策を立ててください (例 : 電動工具および先端工具の手入れや保守、手を冷やさないようにする、作業手順の編成)。

騒音について

サウンドパワーレベル (L_{WA})	105 dB(A)
サウンドパワーレベルの不確実性 (K_{WA})	3 dB(A)
サウンドプレッシャーレベル (L_{pA})	94 dB(A)
サウンドプレッシャーレベルの不確実性 (K_{pA})	3 dB(A)

振動について

ハツリ作業 ($a_{h, Cheq}$)	7 m/s ²
不確実性 (K)	1.5 m/s ²

4.2 延長コードを使用する場合

警告

損傷したコードによる危険！ 作業中に電源コードまたは延長コードを損傷した場合は、コードに触れないでください。不意に始動しないように電源プラグをコンセントから抜きます。

▶ 本体の電源コードを定期的な点検し、コードに損傷がある場合は認定を受けた修理スペシャリストに交換させてください。

- 使用目的に応じて、十分な導体断面積をもつ適切な延長コードのみを使用してください。そうしないと、本体の出力低下やコードの過熱が発生することがあります。
- 延長コードに損傷がないか定期的に点検してください。
- 損傷した延長コードは交換してください。



- 屋外工事の場合には、認可マーク付きの専用延長コードのみを使用してください。

電源電圧 120 V における推奨最低導体断面積および最大コード長

電源コード	AWG 16	AWG 14	AWG 12	AWG 10
導体断面積	1,31 mm ²	2,08 mm ²	3,31 mm ²	5,26 mm ²
導体断面積	2,58 kcmil	4,11 kcmil	6,53 kcmil	10,4 kcmil
コード長	25 m	30 m	50 m	100 m
コード長	75 ft	100 ft	150 ft	250 ft

5 ご使用方法

5.1 作業準備

注意

負傷の危険！ 製品は意図せず作動することがあります。

- ▶ 本体の設定やアクセサリーの交換を行う前に電源プラグを抜いてください。

本書および製品に記載されている安全上の注意と警告表示に注意してください。

5.1.1 先端工具を装着する

先端工具の使用に先立ち、その都度損傷および不均等な摩耗のないことを点検し、必要に応じて先端工具を交換してください。ロッキングバーに汚れが損傷がないか点検してください。

1. 先端工具のコネクションエンドにグリスを軽く塗布します。
2. ロッキングバーを開きます。
3. 先端工具をチャックのストップ位置まで差し込みます。
4. カラー付き先端工具の場合はロッキングバーをロック位置 A にします。
5. 溝付き先端工具の場合はロッキングバーをロック位置 B にします。
 - ↳ チゼルの位置を調整し、溝がロック位置 B の方向を向くようにします。
6. 先端工具を引っ張り、しっかりと固定されているか確認します。
 - ↳ フランジ付き先端工具と溝付き先端工具を組み合わせて使用する場合は、ロック位置 A あるいは B のどちらにもロックできます。

必ずHiltiの純正グリスを使用してください。適切でないグリスを使用すると、製品の損傷の原因となることがあります。

5.1.2 先端工具を取り外す

警告

負傷の危険 先端工具は使用することで熱くなり、またエッジが鋭くなっている場合があります。

- ▶ 先端工具の交換時には保護手袋を着用してください。

危険

火災の危険 熱くなっている先端工具と引火性が高い物質との接触による危険。

- ▶ 熱くなっている先端工具を引火性の高い物質の上に置かないでください。

警告

負傷の危険 高温の表面による火傷の危険。

- ▶ 使用により熱くなりますのでガイドチューブに接触しないようにしてください。

1. クランピングバーを開きます。
2. 先端工具をチャックから引き抜いてください。



5.2 接続可能な電源コード

注意

負傷の危険 電気接点が汚れていると漏れ電流が発生して負傷の危険があります。

▶ 脱着式電気プラグは、必ず汚れがなく、乾燥した通電のない状態で電動工具に接続してください。

▶ 接続可能な電源コードを接続 / 外します。

5.2.1 接続可能な電源コードを接続する

注意

負傷の危険 電気接点が汚れていると漏れ電流が発生して負傷の危険があります。

▶ 脱着式電気プラグは、必ず汚れがなく、乾燥した通電のない状態で電動工具に接続してください。

1. コーディングされた脱着式電気プラグを本体のストップ位置まで、ロックの作動音が聞こえるまで差し込みます。
2. 電源プラグをコンセントに差し込みます。

5.2.2 接続可能な電源コードを電動工具から外す

1. 電源プラグをコンセントから抜きます。
2. ロックボタンを押し、コーディングされた脱着式電気プラグを引き抜きます。
3. 電源コードを本体から抜きます。

6 手入れと保守

警告

バッテリーを装着した状態における負傷の危険！

▶ 手入れや保守作業の前に必ずバッテリーを取り外してください！

本体の手入れ

- 強固に付着した汚れは慎重に除去してください。
- 通気溝を乾いたブラシで入念に清掃してください。
- ハウジングは必ず軽く湿らせた布で清掃してください。シリコンを含んだ清掃用具はプラスチック部品をいためる可能性があるので使用しないでください。

Li-Ion バッテリーの手入れ

- バッテリーは清潔に保ち、オイルやグリスで汚さないようにしてください。
- ハウジングは必ず軽く湿らせた布で清掃してください。シリコンを含んだ清掃用具はプラスチック部品をいためる可能性があるので使用しないでください。
- 湿気が入り込まないようにしてください。

保守

- 目視確認可能なすべての部品について損傷の有無を、操作エレメントについては問題なく機能することを定期的に点検してください。
- 損傷および / または機能に問題のある場合は、本製品を使用しないでください。直ちにHilti サービスセンターに修理を依頼してください。
- 手入れおよび保守作業の後は、すべての安全機構を取り付けて機能を点検してください。

安全な作動のために、必ず純正のスペアパーツと消耗品を使用してください。本製品向けに弊社が承認したスペアパーツ、消耗品およびアクセサリは、弊社営業担当またはHilti Storeにお問い合わせいただくか、あるいはwww.hilti.groupでご確認ください。

7 搬送および保管

- 電動工具は先端工具を装着した状態で搬送しないでください。
- 電動工具は常に電源プラグを外して保管してください。
- 本体は、乾燥している場所に、子供や権限のない人が手を触れることのないようにして保管してください。
- 電動工具を長距離にわたって搬送したり長期にわたって保管した後は、使用前に損傷がないかチェックしてください。



8 故障時のヒント

この表に記載されていない、あるいはご自身で解消することのできない故障が発生した場合には、弊社営業担当またはHilti サービスセンターにご連絡ください。

8.1 故障かな? と思った時

故障	考えられる原因	解決策
電動ハツリ機が始動しない。	電子回路の初期化を実行中 (プラグ接続後約 4 秒まで)。電源遮断後に電子式インターロックがアクティブになった。	▶ 本体をオフにして、再びオンにする。
	主電源が供給されていない。	▶ 他の電動工具を接続して機能を点検する。
	発電機がスリープモード。	▶ 発電機に別の電気負荷 (ランプ等) をかける。続いて本体をオフにし、再びオンにする。
	接続可能な電源コードが正しく接続されていない。	▶ 接続可能な電源コードを電動工具に正しく接続する。
サービスインジケータが赤色で点灯する。	本体が損傷しているか、あるいは作動時間がサービス期限に達している。	▶ 本製品の修理は、必ずHilti サービスセンターに依頼してください。
サービスインジケータが赤色で点滅する。	供給電源の電圧が高すぎる	▶ 別のコンセントに接続する。電源を点検する。
	過熱保護が作動した。	▶ 本体を冷ます。通気溝を清掃する。アイドルでの運転は可能。
打撃がない。	本体温度が低すぎる。	▶ 電動ハツリ機を母材に接触させて、アイドル回転させる。打撃機構が始動するまでこれを繰り返す。
電動ハツリ機が始動しない、または作動中にオフになる。	延長コードが長すぎる、または導体断面積が小さすぎる。	▶ 許容された長さで十分な導体断面積を持つ延長コードを使用する。

9 廃棄

Hilti 製品の大部分の部品はリサイクル可能です。リサイクル前にそれぞれの部品は分別して回収されなければなりません。多くの国でHiltiは、古い電動工具をリサイクルのために回収しています。詳細については弊社営業担当またはHilti 代理店・販売店にお尋ねください。



- ▶ 電動工具、電子機器およびバッテリーを一般ゴミとして廃棄してはなりません!

10 RoHS (有害物質使用制限に関するガイドライン)

下記のリンクより、有害物質を記載した表を確認できます: qr.hilti.com/r4783。
本書の最終ページに RoHS 表にリンクした QR コードがあります。

11 メーカー保証

- ▶ 保証条件に関するご質問は、最寄りのHilti 代理店・販売店までお問い合わせください。



1 문서 관련 기재사항

1.1 본 문서에 대해

- 처음 사용하기 전에 본 문서 전체를 읽으십시오. 안전하게 작업하고 문제 없이 취급하기 위한 전체가 됩니다.
- 본 문서 및 제품에 나와 있는 안전 지침 및 경고 지침에 유의하십시오.
- 항상 제품에 있는 사용 설명서를 잘 보관하고 제품은 반드시 본 지침과 함께 다른 사람에게 전달하십시오.

1.2 기호 설명

1.2.1 경고사항

본 제품을 다루면서 발생할 수 있는 위험에 대한 경고사항. 다음과 같은 시그널 워드가 사용됩니다.



위험

위험!

- ▶ 이 기호는 직접적인 위험을 표시합니다. 만약 지키지 않으면 심각한 부상을 당하거나 사망할 수도 있습니다.



경고

경고!

- ▶ 이 기호는 잠재적인 위험을 표시합니다. 만약 지키지 않으면 심각한 부상을 당하거나 사망할 수도 있습니다.



주의

주의!

- ▶ 이 기호는 특별히 중요한 안전상의 주의사항을 표시합니다. 만약 지키지 않으면, 심각한 부상 또는 물적 손실을 입을 수 있습니다.

1.2.2 문서에 사용된 기호

본 문서에서 사용되는 기호는 다음과 같습니다.

	사용하기 전에 사용설명서를 읽으십시오.
	적용 지침 및 기타 유용한 사용정보
	재사용이 가능한 자재 취급방법
	전기 기기 및 배터리를 일반 가정의 쓰레기처럼 폐기해서는 안 됨

1.2.3 그림에 사용된 기호

다음과 같은 기호가 그림에 사용됩니다.

	이 숫자는 본 설명서의 첫 부분에 있는 해당 그림을 나타냅니다.
	매겨진 숫자는 작업 단계의 순서를 나타내며, 텍스트에 매겨진 작업 단계와 차이가 있을 수 있습니다.
	항목 번호는 개요 그림에서 사용되며, 제품 개요 단락에 나와 있는 기호 설명 번호를 나타냅니다.
	이 표시는 제품을 다룰 때, 특별히 주의할 사항을 나타냅니다.

1.3 제품에 사용된 기호

1.3.1 제품에 사용된 기호

다음과 같은 기호가 제품에 사용됩니다.

	보호 등급 III(이중 절연)
--	------------------



	크레인 운반 금지
	무선 데이터 전송

1.4 제품 정보

Hilti 제품은 전문가용으로 설계되어 있으며, 허가받은 자격을 갖춘 작업자만 조작, 정비 및 수리할 수 있습니다. 이 기술자는 발생할 수 있는 위험에 대해 특별 교육을 받은 상태여야 합니다. 교육을 받지 않은 사람이 제품을 부적절하게 취급하거나 규정에 맞지 않게 사용할 경우에는 기기와 그 보조기구에 의해 부상을 당할 위험이 있습니다.

형식 명칭 및 일련 번호는 형식 라벨에 제시되어 있습니다.

▶ 일련 번호를 다음의 표에 옮기십시오. 대리점 또는 서비스 센터에 문의할 경우 제품 제원이 필요합니다.

제품 제원 → 페이지 161

제품 제원

브레이커	TE 3000-AVR
세대	01
일련 번호	

1.5 적합성 선언

폐사는 전적으로 책임을 지고 여기에 기술된 제품이 통용되는 기준과 규격에 일치함을 공표합니다. 적합성 증명서 사본은 본 문서 끝 부분에서 확인할 수 있습니다.

기술 문서는 이곳에 기술되어 있습니다.

Hilti Entwicklungsgesellschaft mbH | Zulassung Geräte | Hiltistraße 6 | 86916 Kaufering, DE

2 안전

2.1 전동공구에 대한 일반적인 안전상의 주의사항

⚠ 경고 모든 안전상의 주의사항과 지침을 읽으십시오. 안전상의 주의사항과 지침을 준수하지 않을 경우, 화재 위험이 있으며 감전 그리고/또는 중상을 입을 수 있습니다.

앞으로 모든 안전상 주의사항과 지침을 보관하십시오.

안전상 주의사항에서 사용되는 "전동 공구"라는 개념은 전원에 연결하여 사용하는 전동 공구(전원 케이블 있음)와 배터리를 사용하는 전동 공구(전원 케이블 없음)를 의미합니다.

작업장 안전수칙

- ▶ 작업장을 항상 깨끗이 하고 조명이 잘 들도록 하십시오. 어수선한 작업환경 또는 어두운 작업장은 사고를 초래할 수 있습니다.
- ▶ 인화성 액체, 가스 또는 먼지가 있어 폭발 위험이 있는 환경에서는 전동공구를 사용하지 마십시오. 전동공구는 먼지나 증기를 점화시킬 수 있는 스파크를 일으킵니다.
- ▶ 전동공구를 사용할 때, 어린이들이나 다른 사람들이 작업장에 접근하지 못하도록 하십시오. 다른 사람의 방해로 인해 기기를 통제하기 어렵습니다.

전기에 관한 안전수칙

- ▶ 전동공구의 전원 플러그가 소켓에 잘 끼워져야 합니다. 플러그를 절대 변형시켜서는 안됩니다. 접지된 전동공구와 함께 아답타 플러그를 사용하지 마십시오. 변형되지 않은 플러그와 적합한 소켓을 사용하면 감전의 위험을 줄일 수 있습니다.
- ▶ 파이프, 히터, 전기레인지, 냉장고와 같은 접지 표면에 신체 접촉을 피하십시오. 신체에 닿을 경우 감전될 위험이 높습니다.
- ▶ 전동공구가 비에 맞지 않도록 하고 습한 장소에 두지 마십시오. 전동공구에 물이 들어가면 감전될 위험이 높습니다.
- ▶ 케이블만 잡고 전동공구를 운반하거나 걸어 놓아서는 안되며, 소켓에서 전원 플러그를 빼낼 때 케이블만 잡은 채로 빼내지 마십시오. 전원 케이블이 열, 오일, 날카로운 모서리 또는 기기의 가동부위에 접촉하지 않도록 주의하십시오. 손상되거나 영긴 전원 케이블은 감전 위험을 높입니다.
- ▶ 실외에서 전동공구를 이용하여 작업할 때, 실외용으로 승인된 연장 케이블만 사용하십시오. 실외용 연장 케이블을 사용하면 감전의 위험을 줄여줍니다.
- ▶ 전동공구를 습한 환경에서 사용하는 것을 피할 수 없을 경우, 누전 차단기를 사용하십시오. 누전 차단기를 사용하면 감전 위험을 줄일 수 있습니다.



사용자 안전수칙

- ▶ 신중하게 작업하십시오. 작업에 정신을 집중하고 전동공구를 사용할 때 경솔하게 행동하지 마십시오. 피곤하거나 항정신성 약물, 술 또는 약을 복용시에는 전동공구를 사용하지 마십시오. 전동공구 사용 시에 유의하지 않을 경우 심각한 부상을 초래할 수 있습니다.
- ▶ 안전 장비를 갖추고 보안경을 착용하십시오. 전동공구의 종류와 사용에 따라, 먼지 보호 마스크, 미끄럼 방지용 안전 신발, 안전모 또는 귀마개 등과 같은 안전한 보호장비를 착용하면 부상의 위험을 줄일 수 있습니다.
- ▶ 실수로 기기가 작동하지 않도록 주의하십시오. 전동공구를 전원 그리고/또는 배터리에 연결하기 전, 보관 또는 운반 전에 전동공구가 스위치 OFF 상태인지 확인하십시오. 전동공구 운반 시 스위치에 손가락을 대거나 스위치가 켜진 상태에서 전원을 연결하면 사고를 유발할 수 있습니다.
- ▶ 전동공구의 스위치를 켜기 전, 전동공구 또는 렌치를 제거하십시오. 기기 회전부에 남아있는 공구나 렌치로 인해 부상을 입을 수 있습니다.
- ▶ 작업시 비정상적인 자세는 피하십시오. 안전한 작업자세가 되도록 하고, 항상 균형을 유지하십시오. 이렇게 하여 예기치 않은 상황에서도 전동공구를 잘 제어할 수 있습니다.
- ▶ 적합한 작업복을 착용하십시오. 헐렁한 복장이나 장식품을 착용하지 마십시오. 작동하는 기기 가동 부위에 머리, 옷 그리고 장갑이 가까이 닿지 않도록 주의하십시오. 헐렁한 복장, 장식품 혹은 긴 머리가 가동부위에 말려 들어갈 수 있습니다.
- ▶ 먼지 제거장치나 수거장치를 설치할 수 있는 기기의 경우, 이 장치들이 연결되어 있는지 그리고 제대로 작동되는지를 확인하십시오. 먼지 포집장치 사용은 먼지로 인한 위험을 줄여줄 수 있습니다.

전동공구의 취급과 사용

- ▶ 기기에 과부하가 걸리지 않도록 하십시오. 귀하의 작업에 적합한 전동공구를 사용하십시오. 적합한 전동공구를 사용하면, 지정된 성능 한도 내에서 더 효율적으로 안전하게 작업할 수 있습니다.
- ▶ 스위치가 고장난 전동공구는 사용하지 마십시오. 스위치가 작동되지 않는 전동공구는 위험하므로, 반드시 수리를 해야 합니다.
- ▶ 기기 세팅을 실행, 액세서리를 교환 또는 기기를 보관하기 전에 컨택터를 전원소켓에서 그리고/또는 배터리를 기기에서 빼놓으십시오. 이러한 조치는 실수로 전동공구가 작동하지 않도록 방지합니다.
- ▶ 사용하지 않는 전동공구는 어린이들의 손이 닿지 않는 곳에 보관하십시오. 기기 사용에 익숙치 않거나 또는 이 안전수칙을 읽지 않은 사람이 기기를 사용해서는 안됩니다. 비숙련자가 전동공구를 사용하면 위험합니다.
- ▶ 전동공구를 유의해서 관리하십시오. 기기의 가동 부위가 완벽하게 작동하는지, 끼어 있지 않은지, 혹은 부품이 손상되거나 파손되어 있어 전동공구의 기능을 저하시키지 않는지 점검하십시오. 기기 사용 전 손상된 부품을 수리하도록 하십시오. 제대로 관리되지 않은 전동공구는 많은 사고를 유발합니다.
- ▶ 절단기기는 날카롭고 깨끗하게 관리하십시오. 날카로운 절단면이 있고 잘 관리된 절단기기는 끼이는 경우가 드물고 조절하기도 쉽습니다.
- ▶ 본 지침에 따라 전동공구, 액세서리, 공구 비트 등을 사용하십시오. 이 때 작업 조건과 실시하려는 작업 내용을 고려하십시오. 원래 사용 분야가 아닌 다른 작업에 전동공구를 사용할 경우, 위험한 상황을 초래할 수 있습니다.

서비스

- ▶ 전동공구는 반드시 자격을 갖춘 전문 기술자에 의해 그리고 순정 대체부품만 이용하여 수리해야 합니다. 이렇게 하여 전동공구의 안전성을 계속해서 유지할 수 있습니다.

2.2 해머에 대한 안전상의 주의사항

- ▶ 귀마개를 착용하십시오. 극심한 소음은 청각 상실을 유발할 수 있습니다.
- ▶ 기기와 함께 공급된 보조 손잡이를 사용하십시오. 기기를 제어하지 못하면 부상을 입을 수 있습니다.
- ▶ 공구 비트가 숨겨진 전선이나 기기 자체의 전원 케이블과 접촉할 수 있는 작업을 할 경우, 항상 기기의 절연된 손잡이 부분을 잡으십시오. 전류가 흐르는 전선과 접촉하면 전동공구의 금속 부위를 통해 감전이 될 수도 있습니다.

2.3 그 외의 안전상의 주의사항

사용자 안전수칙

- ▶ 기술적 하자가 없는 상태에서만 기기를 사용하십시오.
- ▶ 어떠한 경우에도 기기를 무단 변경 또는 개조하지 마십시오.
- ▶ 천공 작업 시, 작업할 부분의 반대편이 안전하게 조치를 취하십시오. 발생하는 분쇄물이 빠져 나오거나 또는 떨어지면서 다른 사람이 부상을 입을 수 있습니다.
- ▶ 측면 손잡이가 정확하게 설치되고 올바르게 고정되어 있는지 확인하십시오. 항상 양 손으로 기기의 손잡이를 잡고 공구를 고정시키십시오. 손잡이는 건조하고 깨끗하게, 그리고 오일과 그리스가 묻어있지 않도록 해야 합니다.



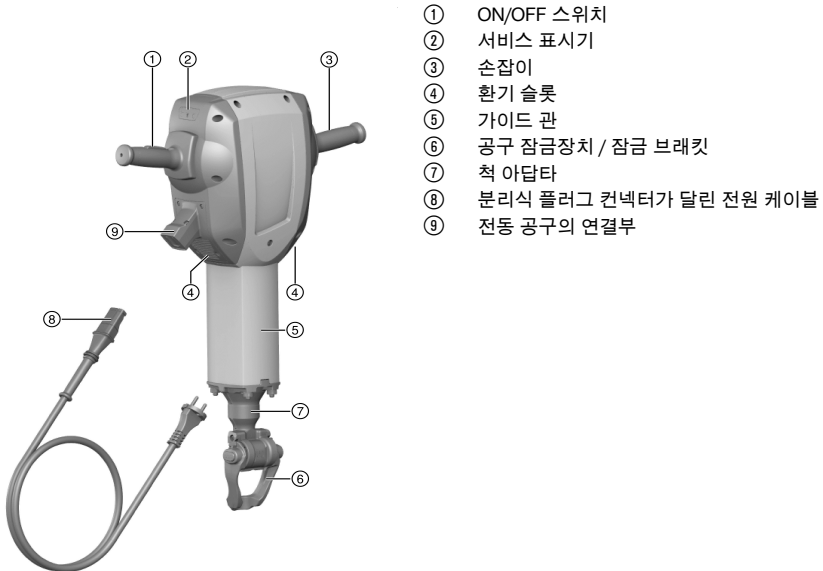
- ▶ 손가락의 혈액순환이 잘 되도록 하기 위해 휴식시간 동안 손가락 운동을 하십시오. 장시간 작업하면 진동으로 인해 혈관 장애 또는 손가락, 손 및 손목의 신경 체계에 이상이 있을 수 있습니다.
- ▶ 본 기기는 교육을 받지 않은 약자가 사용할 수 없습니다.
- ▶ 어린이 손에 닿지 않는 곳에 보관하십시오.
- ▶ 작업을 시작하기 전, 작업 시 발생하는 먼지의 위험 등급을 알아보십시오. 해당 국가의 먼지 방지 규정에 적합하며, 공식적으로 허용된 보호 등급의 산업용 진공 청소기만을 사용하십시오.
- ▶ 가능하면 먼지 포집장치 및 적합한 이동식 먼지 흡인기를 사용하십시오. 날이 함유된 도료, 일부 목재, 콘크리트/조적벽돌/수정을 함유한 암석 및 금속과 같은 광물질로부터 나오는 먼지는 건강에 해로울 수 있습니다.
- ▶ 작업장을 잘 환기시키고 먼지의 종류에 따라 필요 시 보호마스크를 착용하십시오. 먼지를 흡입하거나 만질 경우, 사용자 또는 근처에 있는 사람에게 기관지 질병이나 알레르기 반응이 나타날 수 있습니다. 딱딱나무 입자 또는 너도밤나무 입자와 같은 특정 종류의 먼지는, 특히 목재 처리용으로 사용하는 첨가제(크롬산염, 목재 부식 방지제)와 결합하여 암을 일으킬 수 있습니다. 석면 물질은 전문가에서만 다룰 수 있습니다.

전기에 관한 안전수칙

- ▶ 작업을 시작하기 전에, 작업장에서 가려져 있거나 덮혀 있는 전기 배선, 가스 파이프 그리고 하수도관이 있는지를 점검하십시오. 실수로 전기 케이블을 손상시킨 경우, 기기 바깥쪽에 있는 금속 부품에서 전기 쇼크를 일으킬 수 있습니다.
- ▶ 기기의 연결 케이블을 정기적으로 점검하고, 손상이 있을 경우 자격을 갖춘 전문가가 교환하도록 하십시오. 전동 공구의 전원 케이블이 손상되었을 경우, 서비스 센터에서 판매되는 승인된 기기 전용 전원 케이블로 교체하십시오. 연장 케이블을 정기적으로 점검하고, 손상되었을 경우 이를 교체하십시오. 작업하는 동안 전원 케이블이나 연장 케이블이 손상되었을 경우에는 절대로 케이블을 만지지 마십시오. 전원 플러그를 소켓에서 빼십시오. 손상된 전원 케이블과 연장 케이블은 전기 쇼크로 인한 위험을 유발할 수 있습니다.
- ▶ 전도성이 있는 소재에서 자주 작업할 경우, 오염된 기기를 정기적으로 Hilti 서비스 센터에서 점검받으십시오. 특히 전도성이 있는 재료에서 기기의 표면에 달라 붙어있는 먼지나 습기는 작업자의 기기조작을 어렵게 하며, 부적절한 조건하에서는 전기 쇼크까지도 일으킬 수 있습니다.
- ▶ 전원이 중단되었을 경우, 기기 스위치를 끄고 전원 플러그를 빼내십시오. 이는 전원이 다시 공급되었을 때 기기가 갑자기 시동되는 것을 방지하기 위함입니다.

3 제품 설명

3.1 제품 개요 1

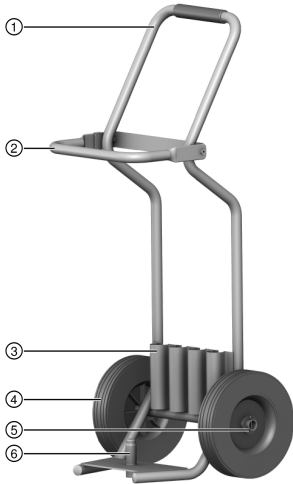


- ① ON/OFF 스위치
- ② 서비스 표시기
- ③ 손잡이
- ④ 환기 슬롯
- ⑤ 가이드 관
- ⑥ 공구 잠금장치 / 잠금 브래킷
- ⑦ 척 아답타
- ⑧ 분리식 플러그 컨넥터가 달린 전원 케이블
- ⑨ 전동 공구의 연결부



3.2 이동식 카트 구성요소 2

- ① 손잡이
- ② 잠금 브래킷
- ③ 소모품용 홀더(치즐)
- ④ 휠
- ⑤ 휠 안전장치(와셔, 코터 핀)
- ⑥ 기기 맨드릴



3.3 규정에 맞는 사용

기술된 제품은 28 mm 육각 척 아답타를 포함한 소형 브레이커입니다. 이 기기는 콘크리트, 조적벽돌 및 아스팔트의 치즐링 작업에 적합합니다. 파쇄 작업 및 새기는 작업을 위한 용도로도 사용 가능합니다.

▶ 형식 라벨에 제시되어 있는 정격 전압과 정격 주파수로만 기기를 작동시켜야 합니다.

3.4 잘못 사용할 수 있는 경우

본 제품은 건강에 유해한 물질을 가공하는 데 적합하지 않습니다.

본 제품은 습한 환경에서 작업하는 데 적합하지 않습니다.

3.5 서비스 표시기

브레이커에 램프 신호를 갖춘 서비스 표시기가 장착되어 있습니다.

상태	의미
서비스 표시기가 적색으로 점등됨.	서비스 받을 시점에 도달하였음. 기기 손상
서비스 표시기가 적색으로 깜박임.	과열 방지 장치 전원 전압이 너무 높음.

i 제품을 Hilti 서비스 센터로 가져오십시오. 이렇게 하면 제품을 항상 작동 가능한 상태로 유지할 수 있습니다.

3.6 Active Vibration Reduction (AVR)

브레이커에는 진동을 현저하게 줄여주는 Active Vibration Reduction (AVR) 시스템이 장착되어 있습니다.



3.7 공급품목

브레이커, 사용 설명서, 그리스.
이동식 카트는 옵션으로 제공됩니다.

해당 제품에 허용되는 기타 시스템 제품은 Hilti 센터 또는 온라인 www.hilti.group에서 확인할 수 있습니다.

4 기술자료

정격 전압, 정격 전류, 주파수 그리고/또는 정격 출력은 국가별 형식 라벨을 참조하십시오.

발전기 또는 변압기에서 작동할 경우, 발전기 및 변압기의 공급출력이 본 기기의 형식 라벨에 적힌 정격 출력보다 최소 두 배 이상 높아야 합니다. 변압기 및 발전기의 작동 전압은 항상 기기의 정격 전압의 +5 % ~ -15 % 사이에 위치해야 합니다.

	TE 3000-AVR
EPTA-Procedure 01에 따른 무게	29.9kg
EPTA-Procedure에 따른 1회 타격 에너지	68J
보관 온도	-20 °C ... 70 °C
작동 시 주변 온도	-17 °C ... 60 °C

4.1 소음 정보 및 진동값은 EN 62841에 따라 측정

이 지침에 제시된 음압 및 진동수준은 표준화된 측정방법에 따라 측정된 것이며, 전동 공구를 서로 비교하기 위한 용도로 사용할 수 있습니다. 음압 및 진동 수준은 노출 정도를 사전에 예측하는 데에도 유용하게 사용할 수 있도록 설계되어 있습니다.

제시된 데이터는 전동 공구의 주된 용도를 나타냅니다. 그러나 전동 공구를 다른 용도로 사용하거나 다른 공구 비트를 사용할 경우 또는 유지보수를 충분히 하지 않은 상태에서는 데이터에 편차가 있을 수 있습니다. 이러한 경우 전 작업시간에 걸쳐 노출이 현저하게 증가할 수 있습니다.

노출을 정확하게 평가하기 위해서는 기기 작동이 멈춰 있거나 또는 작동 중이지만 실제로는 사용하지 않는 시간도 고려해야 합니다. 이러한 경우 전 작업시간에 걸쳐 노출이 현저하게 감소할 수 있습니다.

사용자를 보호하기 위해 음파 그리고/또는 진동이 작용하기 전에 다음과 같은 추가적인 안전 조치를 취하십시오. 전동 공구와 공구 비트의 유지보수, 손을 따뜻하게 유지, 작업순서 정하기 등.

소음정보

소음 수준 (L_{WA})	105dB(A)
소음 수준 허용공차 (K_{WA})	3dB(A)
음압 수준 (L_{pA})	94dB(A)
음압 수준 허용공차 (K_{pA})	3dB(A)

진동 정보

치질링 ($a_{h, Cheq}$)	7m/s ²
허용공차 (K)	1.5m/s ²

4.2 연장 케이블의 사용

경고

손상된 케이블로 인한 위험! 작업하는 동안 전원 케이블이나 연장 케이블이 손상되었을 경우에는 절대로 케이블을 만지지 마십시오. 전원 플러그를 소켓에서 빼내십시오.

▶ 기기의 연결 케이블을 정기적으로 점검하고, 손상이 있을 경우 자격을 갖춘 전문가가 교환하도록 하십시오.

- 케이블의 단면적이 충분히 크고 해당 용도로 허용된 연장 케이블만을 사용하십시오. 그렇지 않을 경우 기기의 출력이 손실되거나 케이블이 과열될 수 있습니다.
- 연장 케이블의 손상 여부를 정기적으로 점검하십시오.
- 손상된 연장 케이블을 교체해야 한다.
- 실외에서 작업할 때에는 실외용으로 표시되고 승인된 연장 케이블만 사용하십시오.



전원 전압이 120V일 때 권장되는 최소 단면적 및 최대 케이블 길이

케이블	AWG 16	AWG 14	AWG 12	AWG 10
전기도선 단면적	1,31 mm ²	2,08 mm ²	3,31 mm ²	5,26 mm ²
전기도선 단면적	2,58 kcmil	4,11 kcmil	6,53 kcmil	10,4 kcmil
케이블 길이	25 m	30 m	50 m	100 m
케이블 길이	75 ft	100 ft	150 ft	250 ft

5 조작

5.1 작업 준비



주의

부상위험! 제품의 돌발적인 시동.

▶ 기기 설정 또는 액세서리를 교체하기 전에 전원 플러그를 당기십시오.

본 문서 및 제품에 나와 있는 안전 지침 및 경고 지침에 유의하십시오.

5.1.1 공구 비트 삽입



사용 전 항상 공구의 손상 여부와 마모 상태가 균등하지 않은지 점검하고, 필요한 경우 교환하십시오. 잠금 브래킷의 청결 및 손상 여부를 점검하십시오.

- 드릴 생크식 기기 비트를 가볍게 기름칠하십시오
- 잠금 브래킷을 여십시오.
- 공구 비트를 스톱위치까지 척 아답타에 꽂으십시오.
- 칼라가 장착된 공구의 경우 잠금 공구 브래킷을 잠금 위치 A에 두십시오.
- 그루브가 장착된 공구의 경우 잠금 공구 브래킷을 잠금 위치 B에 두십시오.
 - ▶ 그루브가 잠금 위치 B 방향을 향하도록 치출 각도를 조정하십시오.
- 치출을 잡아 당겨서 치출이 정확하게 잠겼는지 점검하십시오.
 - ▶ 그루브와 칼라가 함께 장착된 공구는 잠금 위치 A 및 B 중 한 곳을 선택하여 잠글 수 있습니다.



Hilti의 순정 그리스만 사용하십시오. 적합하지 않은 그리스를 사용하면 제품이 손상될 수 있습니다.

5.1.2 공구 분리



경고

부상위험 사용하는 동안 공구가 뜨거워지고 날카로운 모서리에 다칠 수 있습니다.

▶ 공구 교체 시 보호장갑을 착용하십시오.



위험

화재위험 가열된 공구와 인화되기 쉬운 소재가 접촉했을 때 발생하는 위험

▶ 가열된 공구를 인화되기 쉬운 소재 가까이에 두지 마십시오.



경고

부상위험 뜨거운 표면으로 인한 화상 위험

▶ 사용 중 가이드 튜브가 뜨거워질 수 있으므로 접촉을 피하십시오.

- 잠금 브래킷을 여십시오.
- 공구 비트를 잡아 당겨서 척 아답타에서 빼내십시오.

5.2 전원 케이블



주의

오염된 접점에서 누설 전류로 인한 부상 위험

▶ 깨끗하고, 건조하고, 전압이 흐르지 않는 상태에서에만 분리식 전기 컨넥터를 전동 공구에 연결하십시오.



- ▶ 전원 케이블을 연결/분리하십시오.

5.2.1 전원 케이블 연결

주의

오염된 접점에서 누설 전류로 인한 부상 위험

- ▶ 깨끗하고, 건조하고, 전압이 흐르지 않는 상태에서만 분리식 전기 커넥터를 전동 공구에 연결하십시오.

1. 분리식 플러그 전기 커넥터를 기기 스톱 위치까지, 잠금 소리가 들릴 때까지 끼우십시오.
2. 전원 플러그를 소켓에 끼우십시오.

5.2.2 전동 공구에서 전원 케이블 분리

1. 전원 플러그를 소켓에서 빼내십시오.
2. 제동 버튼을 눌러 분리식 플러그 전기 커넥터를 빼내십시오.
3. 전원 케이블을 기기에서 당겨 빼십시오.

6 관리 및 유지보수

경고

배터리가 끼워진 상태에서 부상 위험 !

- ▶ 관리 및 수리 작업을 진행하기 전에 항상 배터리를 제거하십시오!

기기 관리

- 공구에 부착된 오염물질을 조심스럽게 제거하십시오.
- 마른 솔로 환기 흡을 조심스럽게 청소하십시오.
- 하우징은 약간 물을 적신 천으로만 닦으십시오. 플라스틱 부품을 손상시킬 수 있으므로 절대로 실리콘이 함유된 보호제를 사용하지 마십시오.

리튬 이온 배터리 관리

- 배터리를 오일 및 그리스가 묻지 않도록 깨끗하게 유지하십시오.
- 하우징은 약간 물을 적신 천으로만 닦으십시오. 플라스틱 부품을 손상시킬 수 있으므로 절대로 실리콘이 함유된 보호제를 사용하지 마십시오.
- 습기가 스며들지 않도록 주의하십시오.

유지보수

- 눈에 보이는 모든 부품은 정기적으로 손상 여부를 점검하고 조작 요소가 아무 문제 없이 작동하는지 점검하십시오.
- 손상되었거나 기능 장애가 있는 경우에는 제품을 작동하지 마십시오. 바로 Hilti 서비스 센터에서 수리받으십시오.
- 관리 및 수리 작업 후 모든 보호장치를 가져와 기능을 점검하십시오.



안전하게 작동하기 위해서는 순정품 예비 부품 및 소모품만 사용하십시오. 해당 제품에 허용되는 예비 부품, 소모품 및 액세서리는 Hilti Store 또는 에서 확인할 수 있습니다. www.hilti.group.

7 운반 및 보관

- 전동공구는 공구가 끼워진 상태에서 운반하지 마십시오.
- 전동공구는 항상 전원 플러그를 당긴 상태로 보관하십시오.
- 기기는 건조한 상태로 보관하고 어린이 및 허용되지 않는 사람의 손에 닿지 않도록 하십시오.
- 전동공구를 장시간 운반 또는 보관한 후에는 사용하기 전에 손상 여부를 점검하십시오.

8 문제 발생 시 도움말

본 도표에 제시되어 있지 않거나 스스로 해결할 수 없는 문제가 발생한 경우 Hilti 서비스 센터에 문의해 주십시오.



8.1 고장진단

장애	예상되는 원인	해결책
브레이커가 작동하지 않음.	전자 장치 초기화가 작동합니다(전원 공급장치 연결 후 약 4초 이내에). 전원공급중단 후에 전자식 작동금지가 활성화됨.	▶ 기기를 껐다가 다시 켜십시오.
	전원이 공급되지 않음.	▶ 다른 전동공구를 끼워 기능을 점검하십시오.
	발전기가 수면 모드에 있음.	▶ 발전기를 보조 전력 기기에 연결하십시오(예: 공사현장 전등). 그리고 나서 기기의 전원을 껐다가 다시 켜십시오.
	전원 케이블이 제대로 끼워지지 않음.	▶ 전동공구에 전원 케이블을 제대로 연결하십시오.
서비스 표시기가 적색으로 점등됨.	기기 손상 또는 서비스 받을 시점에 도달하였음.	▶ 제품을 Hilti 서비스 센터에서 수리 받으시기 바랍니다.
서비스 표시기가 적색으로 깜박임.	전원 전압이 너무 높음	▶ 소켓을 교체하십시오. 전원을 점검하십시오.
	과열방지장치	▶ 기기를 냉각시키십시오. 환기 슬롯을 청소하십시오. 공회전 중에 작동이 아직 가능함
타격이 되지 않음.	기기 과냉 상태.	▶ 브레이커를 모재에 두고 공회전 상태로 작동시키십시오. 필요한 경우 함마링 장치가 작동될 때까지 과정을 반복하십시오.
브레이커가 작동하지 않거나 또는 작동중에 스위치 OFF됨.	연장 케이블이 너무 길 그리고 / 또는 심선 단면적이 너무 작음.	▶ 허용된 길이로 된 연장 케이블 그리고 / 또는 단면적 크기가 충분한 심선을 사용하십시오.

9 폐기

Hilti 기기는 대부분 재사용이 가능한 소재로 제작되었습니다. 재활용을 위해 개별 부품을 분리하여 주십시오. Hilti는 대부분의 국가에서 재활용을 위해 노후기기를 수거해 갑니다. Hilti 고객 서비스센터 또는 판매 상담자에게 문의하십시오.



- ▶ 전동 공구, 전자식 기기 및 배터리를 일반 가정 쓰레기로 폐기하지 마십시오!

10 RoHS (유해물질 사용 제한 지침)

아래 링크에서 유해물질에 관한 도표를 확인할 수 있습니다. qr.hilti.com/r4783.
RoHS 도표로 이어지는 링크는 본 문서 끝에 QR 코드 형식으로 제시되어 있습니다.

11 제조회사 보증

- ▶ 보증 조건에 관한 질문사항은 Hilti 파트너 지사에 문의하십시오.



1 文件相關資訊

1.1 關於此文件

- 初次操作或使用前，請先詳讀此文件。本文件包含安全前提、疑難排解處理和產品使用。
- 請遵守本文件中與產品上的安全說明和警告。
- 操作說明應與產品一起保管，產品交予他人時必須連同操作說明一起轉交。

1.2 已使用的符號說明

1.2.1 警告

警告使用本產品的人員可能發生之危險。採用了以下標示文字：



危險

危險！

- ▶ 此標語警示會發生對人造成嚴重傷害甚至致死的危險情形。



警告

警告！

- ▶ 此標語警示會造成嚴重傷害甚至致死危險的潛在威脅。



注意

注意！

- ▶ 此標語警示可能會發生造成人員受傷，或造成設備及其他財產損壞之危險狀況。

1.2.2 文件中的符號

本文件中採用以下符號：



使用前請閱讀操作說明。



使用說明與其他資訊



處理可回收的材料



不可將電子設備與電池當作家庭廢棄物處置

1.2.3 圖解中的符號

圖解中採用了以下符號：



號碼對應操作說明的開始處的圖解



編號代表圖解中的操作步驟順序，可能與內文中的步驟有所不同



項目參考編號用於總覽圖解，並請參閱產品總覽章節中使用的編號



本符號是為了讓您在操作本產品時可以注意某些重點。

1.3 產品上的符號

1.3.1 產品上的符號

產品上會採用下列符號：



防護等級II（雙重絕緣）



不可使用起重機運送



無線資料傳輸



1.4 產品資訊

Hilti 產品係供專業人士使用。僅能由經過授權與訓練的人員進行操作、維護及保養。務必將可能發生的特定危險告知該人員。未經訓練之人員錯誤的操作或操作時不按照工作步驟，機具和它的輔助工具設備有可能會發生危險。

型號和序號都標示於型號識別牌上。

▶ 在下方表格中填入序號。與 Hilti 維修中心或當地 Hilti 機關聯絡查詢產品相關事宜時，我們需要您提供產品詳細資訊。

產品資訊 → 頁次 170

產品資訊

鑿破機	TE 3000-AVR
產品代別	01
序號	

1.5 符合聲明

基於我們唯一的責任，本公司在此聲明本產品符合適用的指示或標準。本文件結尾處有符合聲明之副本。技術文件已歸檔：

Hilti Entwicklungsgesellschaft mbH | Tool Certification | Hiltistrasse 6 | 86916 Kaufering, Germany

2 安全性

2.1 一般電動機具安全警告

⚠ 警告

請詳閱所有的安全警示及說明。未能遵守以下警示及說明可能會造成電擊事故、火災和 / 或嚴重的傷害。

妥善保存所有警示及說明，以供將來參考。

注意事項中所稱的「機具」係指使用電源（有線）或電池（無線）的電動機具。

工作區域安全

- ▶ 請保持工作區的清潔與採光充足。雜亂而昏暗的工作區會導致意外發生。
- ▶ 勿在容易發生爆炸的環境中使用機具，例如有可燃性液體、瓦斯或粉塵存在的環境。機具產生的火花可能會引燃塵埃或煙霧。
- ▶ 操作機具時，請與兒童及旁人保持距離。注意力不集中時容易發生失控的情形。

電力安全

- ▶ 機具插頭與插座須能互相搭配。勿以任何方式改裝插頭。勿將任何變壓器插頭與與地面接觸（接地）的電動機具搭配使用。未經改裝的插頭以及能互相搭配的插座可減少發生電擊的危險。
- ▶ 避免讓身體碰觸到如管線、散熱器、爐灶與冰箱等與土地或地表接觸之物品。如果您的身體接觸到地表或地面，將增加電擊的危險。
- ▶ 請勿將電動工具暴露在下雨或潮濕的環境中。若水氣進入機具中將增加觸電的危險。
- ▶ 勿濫用電纜線。勿以電纜線吊掛、拖拉機具或拔下機具插頭。電纜線應避開熱氣、油、銳利的邊緣或移動性零件。電纜線損壞或纏繞會增加發生電擊事故的危險。
- ▶ 於室外操作機具時，須使用適用於戶外的延長線。使用適合戶外使用的延長線可降低觸電的風險。
- ▶ 如果無法避免在潮濕的地點操作機具，請使用漏電斷路器（RCD）保護電源供應器。使用漏電斷路器（RCD）可降低電擊的風險。

人員安全

- ▶ 操作機具時，請提高警覺，注意進行中的工作並善用常識。感到疲勞或受到藥物、酒精或治療的影響時勿使用機具。操作機具時稍不留神就可能造成嚴重的人員傷亡。
- ▶ 佩戴個人防護裝備。請隨時配戴眼罩。適當使用防塵面罩、防滑鞋、安全帽及耳罩等安全防護配備可減少人員的傷害。
- ▶ 避免不經意的啟動。在接上電源或電池組、抬起或攜帶機具之前，務必確認開關處於關閉的位置。攜帶機具時，如果把手指放在開關上，或在開關開啟時，將機具插上插頭容易發生意外。
- ▶ 啟動機具前，應將所有調整鑰匙或扳手移開。將扳手或鑰匙留在機具的旋轉零件中可能會造成人員傷害。
- ▶ 勿將手伸出過遠。隨時站穩並維持平衡。這可讓您在意外情況發生時，對機具有較好的控制。
- ▶ 穿著適當服裝。請勿穿寬鬆的衣服或配戴珠寶。頭髮、衣服與手套應遠離移動性零件。移動性零件可能會夾到寬鬆的衣服、珠寶或長髮。
- ▶ 如果機具可連接吸塵裝置與集塵設備，請連接並適當使用這些設備。使用集塵裝置可降低與粉塵有關的危險。



機具使用與保養

- ▶ 不可強制使用機具。依據用途使用正確的機具。根據設計的速率使用機具可更快速安全地完成工作。
- ▶ 若開關無法啟動或關閉電動工具時，請勿使用電動工具。任何無法以開關控制的機具都很危險且需要維修。
- ▶ 在進行任何調整、更換配件、或貯放電動機具前，請先將插頭拔離插座，或將電池匣自電動機具卸下。此預防安全措施可降低機具意外啟動的風險。
- ▶ 將閒置的機具貯放在兒童拿不到的地方，勿讓不熟悉或未詳閱本說明的人員操作本機具。機具在未經訓練的使用者手中是很危險的。
- ▶ 維護機具。請檢查移動性零件有無偏移或黏合的情形、零件有無破損，以及任何會影響機具運轉的狀況。如果機具受損，請先修理再使用。很多意外便是由維護不當的機具造成的。
- ▶ 保持切割機具的銳利與清潔。具銳利切割邊緣的切割機具如果得到適當的維護，便較不會發生黏合的現象，且較容易控制。
- ▶ 遵守本指示說明使用機具、配件和工具組等，並考量工作條件與待進行的工作。將機具用在原目的之外用途可能會造成危險。

維修服務

- ▶ 請將機具交給合格的維修人員進行維修，並使用相同的替代零件。這可確保維護機具安全。

2.2 鎚擊安全警告

- ▶ 請配戴耳罩。暴露於噪音環境下會導致聽力受損。
- ▶ 請使用機具輔助握把。機具失控可能導致人員受傷。
- ▶ 當所進行的工作，其切割配件可能會碰觸到隱藏配線或其自身的電線時，進行操作時請握住機具的絕緣握把。與「導電」電線接觸的切割配件可能會導致機具暴露在外的金屬零件「導電」，使得操作人員遭受電擊。

2.3 其他安全指示

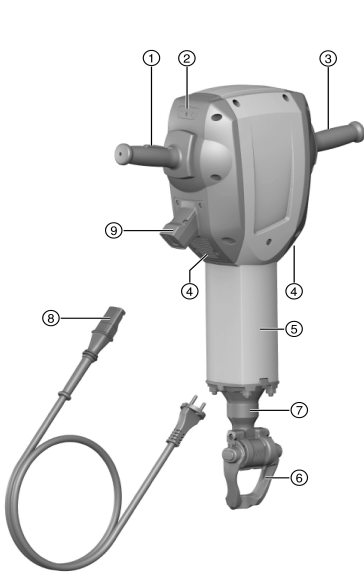
人員安全

- ▶ 請使用狀態良好無瑕疵的機具。
- ▶ 勿嘗試以任何方式改裝機具。
- ▶ 若工作包含鑿穿作業，請於工件另一面一併採取適當的防護措施。鑿穿的碎片會掉落和 / 或造成他人受傷。
- ▶ 檢查側向握把是否正確安裝且緊固。保持以雙手緊握機具握把。請保持機具握把的乾燥、清潔，避免沾染油及油脂。
- ▶ 請利用工作空檔時休息，並活動您的手指以促進血液循環。長時間暴露在震動下會造成手指、手掌和手腕的血管和神經系統失調。
- ▶ 本機具不應由未受特殊訓練且疲憊不堪的人員使用。
- ▶ 將機具放在兒童拿不到的地方。
- ▶ 在開始作業前，請先針對作業時所產生粉塵之危險等級進行檢查。使用符合當地粉塵防治條例，且經法定認可為保護等級之工業用吸塵器。
- ▶ 可能的話，請連接除塵系統以及適合的吸塵器。像是含鉛塗料、部份木材、含砂混凝土 / 石材 / 石頭、礦物與金屬等基材所產生的粉塵可能對人體有害。
- ▶ 請確保工作場所所有良好通風，必要時，請依會產生的粉塵類型配戴適合的口罩。操作人員與旁觀者接觸或吸入粉塵可能會引起過敏及 / 或造成呼吸問題或其他疾病。像是橡木與山毛櫸木材的粉塵已列為致癌物質，尤其是當它們使用調濕塗料（鉻酸鹽、木材防腐劑）時。包含石綿之基材務必由專人處理。

電力安全

- ▶ 開始工作前，請先檢查工作區域是否有隱藏的電纜線、瓦斯管或水管。若不小心損壞電纜線，機具外部的金屬零件可能會造成觸電。
- ▶ 請定期檢查機具的電源線，並於發現損壞時，請合格的電力專員更換。若電動機具電源線損壞，必須以Hilti維修服務中心所提供特別專用且認可的電源線更換。定期檢查延長線，並在發現損壞時予以更換。當機具運轉時，如果發現電源線或延長線受損，請勿碰觸。請將電源線插頭自插座拔除。受損的電源線或延長線可能會引發電擊事故。
- ▶ 經常使用於導電材質的機具若是骯髒或積著粉塵，應定期交給Hilti維修中心檢查。當機具表面覆蓋灰塵（尤其是導電材質所產生之灰塵）或附著水氣等不理想的情況下，皆有導致電擊的風險。
- ▶ 當發生停電或電力中斷的情形發生時，請將機具關閉，並將電源線的插頭拔掉。此動作可避免當恢復供電時，機具不經意重新啟動的情形發生。

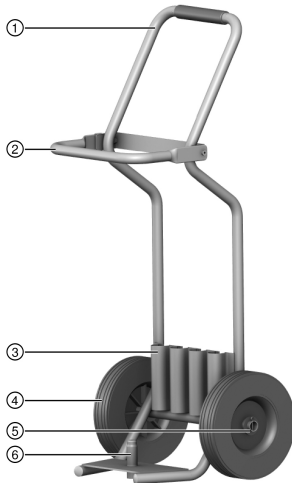


3.1 產品總覽

- ① On/Off開關
- ② 維修指示燈
- ③ 握把
- ④ 通風口
- ⑤ 導管
- ⑥ 配件工具套 / 鎖條
- ⑦ 夾頭
- ⑧ 含鍵齒、可拆式插頭的電源線
- ⑨ 電子機具上的連接頭



3.2 搬運推車元件 2



- ① 握把
- ② 鎖條
- ③ 配件工具（鑿子）座
- ④ 轉輪
- ⑤ 轉輪穩固零件（墊圈、扣針）
- ⑥ 機具定位鑽針

3.3 用途

本文所述產品為具備28 mm六角夾頭的手持充電式鑿破機。適用於混凝土、石材、石頭之鑿孔作業。挖掘與緊壓為其他可能的應用方式。

- ▶ 操作時務必使用符合機具型號識別牌上所標示的電壓及電頻。

3.4 可能發生的誤用

本產品不適用於金屬相關作業。
本產品不適合在潮濕環境下作業。

3.5 維修指示燈

本鑿破機配備維修LED指示燈。

狀態	意義
維修指示燈亮起紅燈。	維修間隔結束 - 維修日期已到。 機具發生故障。
維修指示燈閃爍紅燈。	過熱防護措施 電源供應電壓過高。



請擇日將產品送至Hilti維修中心。這可確保產品的使用狀況。

3.6 Active Vibration Reduction (AVR)

本鑿破機配備主動減震（Active Vibration Reduction (AVR)）系統，能大幅減少震動。



3.7 配備及數量

電子鑿破機、操作說明、潤滑劑。
搬運推車為配件。

關於產品，您可於當地Hilti中心或網站www.hilti.group查詢其他經過認證的系統產品。

4 技術資料

關於額定電壓、電流、頻率和 / 或輸入功率，請參照機具的特定國家型號識別牌。

如果要使用發電機或變壓器供電，必須至少能提供兩倍於機具額定銘板上標示的額定輸入值電力。發電機或變壓器的操作電壓必須隨時介於機具額定電壓+5%和-15%以內。

	TE 3000-AVR
重量 (依據EPTA程序01)	29.9 kg
單次衝擊力 (依據EPTA程序)	68 J
貯放溫度	-20 °C ... 70 °C
操作時的環境溫度	-17 °C ... 60 °C

4.1 噪音資訊和震動值量測標準依據EN 62841

操作說明中所提供之音壓和震動值已參照標準測量，並可用來比較不同機具之噪音。它們也可作為噪音量的初步評估。

提供之資料表示機具主要應用時之數值。若電子機具應用於不同之用途，搭配不同的配件工具或在保養不良的情況下，其數據可能有所不同。在作業過程中，這有可能大幅提高其噪音量。

當機具關閉，或開啟但未進行任何作業時也應列入考量，才能準確評估噪音量。如此一來，作業過程中的總噪音量將大幅降低。

確認其他安全措施，以保護操作員不受噪音和 / 或震動影響，例如：保養機具與其配件工具、操作前保持雙手溫暖、作業型式之安排等。

噪音資訊

聲功率級數 (L_{WA})	105 dB(A)
無法判定的聲功率級數 (K_{WA})	3 dB(A)
音壓級數 (L_{pA})	94 dB(A)
無法判定的音壓級數 (K_{pA})	3 dB(A)

震動資訊

鑿孔 ($a_{h, Cheq}$)	7 m/s ²
無法判定 (K)	1.5 m/s ²

4.2 延長線的使用

警告

受損的電源線會造成危險！當機具運轉時，如果發現電源線或延長線受損，請勿碰觸。請將電源線插頭自插座拔除。

▶ 請定期檢查設備的電源線，並在發現損壞時，請合格的電力專員更換。

- 僅可使用經認可的延長線類型，且必須使用口徑（截面積）足夠的導線。否則機具的效率會下降且延長線會過熱。
- 定期檢查延長線是否損壞。
- 並更換受損的延長線。
- 戶外工作時，僅可使用經認可並標記適合戶外使用的延長線。



針對120V電源電壓建議之最小導體截面積與最大電源線長度

電纜線	AWG 16	AWG 14	AWG 12	AWG 10
電纜線導體截面積	1,31 mm ²	2,08 mm ²	3,31 mm ²	5,26 mm ²
電纜線導體截面積	2,58 kcmil	4,11 kcmil	6,53 kcmil	10,4 kcmil
電纜線長度	25 m	30 m	50 m	100 m
電纜線長度	75 ft	100 ft	150 ft	250 ft

5 操作

5.1 工作場所的準備工作

注意

有受傷的危險！產品意外啟動。

- ▶ 在調整機具或變更配件前，請先拔除電源線。

請遵守本文中與產品上的安全說明和警告。

5.1.1 安裝配件工具



在每次使用前檢查配件工具是否受損或是不均勻磨損，並視需要更換。檢查鎖條是否乾淨且未損壞。

1. 在配件工具的連接頭添加少量的潤滑劑。
2. 打開鎖條。
3. 將配件工具盡可能推入夾頭內。
4. 若有導環的配件工具，請將固定棒移至鎖定位置A。
5. 若有溝槽的配件工具，請將固定棒移至鎖定位置A。
 - ▶ 將鑿子定位，讓溝槽面向鎖定位置B。
6. 請以握住拉取方式檢查鑿子是否已正確咬合。
 - ▶ 附有連接頭的彈圈夾具（有導環及溝槽）可依要求鎖定在位置A或B。



限使用Hilti提供的建議潤滑劑。使用不適合的潤滑劑可能會造成產品損壞。

5.1.2 卸下配件工具

警告

有受傷的危險！使用中的配件工具會變熱且可能具備尖銳的邊緣。

- ▶ 更換機具時請配戴手套。

危險

有火災的危險！高溫配件工具和易燃物質接觸的危險。

- ▶ 不得將高溫的配件工具放置在易燃物質上。

警告

有受傷的危險！因表面發熱造成燙傷的危險。

- ▶ 避免接觸導管，因為機具使用後此部分零件會變熱。

1. 打開鎖條。
2. 將配件工具自夾頭拉出。

5.2 可拆式電源線

注意

有受傷的危險！因接點髒污的漏電流而造成。

- ▶ 只有在可拆式電力連接頭乾淨、乾燥且電源線未插入插座時，才能連接到機具。



- ▶ 連接 / 拔除可拆式電源線。

5.2.1 連接可拆式電源線

注意

有受傷的危險！因接點髒污的漏電流而造成。

- ▶ 只有在可拆式電力連接頭乾淨、乾燥且電源線未插入插座時，才能連接到機具。

1. 將含鍵齒、可拆式電子插頭連接頭盡量推入插座中，直到聽見咬合聲。
2. 將電源線插頭插入插座。

5.2.2 拔除可拆式電源線

1. 將電源線插頭自插座拔離。
2. 按下拆卸鈕，然後將含鍵齒、可拆式電子插頭連接頭從插座上拔出。
3. 將電源線連接頭從機具中取出。

6 維護和保養

警告

電池裝入時有受傷的危險！

- ▶ 進行維護及保養前，請務必卸下電池！

機具維護及保養

- 小心地清除頑強的髒污。
- 請使用乾燥的刷子小心清潔通風口。
- 僅能使用微濕軟布清潔外殼。勿使用含硅樹脂的清潔或亮光劑，因為可能會造成塑膠零件損壞。

鋰電池的保養

- 避免電池沾上油脂。
- 只能使用微濕軟布清潔外殼。勿使用含硅樹脂的清潔或亮光劑，因為可能會造成塑膠零件損壞。
- 避免濕氣進入。

維護

- 定期檢查外部零件和控制元件有無損壞跡象，並確認它們運作正常。
- 如果有損壞跡象或任何零件功能故障，請不要操作本產品。請將產品立刻交付Hilti維修中心進行維修。
- 清潔及保養後，裝上所有防護套或保護裝置並檢查功能是否正常。



為確保操作的安全及可靠性，請務必使用原廠Hilti備件與耗材。您可以在Hilti Store或網站：選購Hilti認可的備件、耗材和配件。www.hilti.group。

7 搬運和貯放

- 搬運電子機具時請勿安裝配件。
- 貯放電子機具或設備前請務必將電源線拔掉。
- 請將工具與設備貯放在乾燥且兒童或未授權的人員無法觸及的地點。
- 長時間搬運與貯放後請檢查電子機具或設備是否有損壞。

8 故障排除

若您遇到未列出的問題或是無法自行排除的問題，請聯絡Hilti維修中心。

8.1 故障排除

故障	可能原因	解決方法
鑿破機未啟動。	電器初始化進行中（插電後約需4秒鐘）。電源中斷後電子重新啟動聯鎖裝置啟用。	▶ 關閉機具後再開啟。
	電源供應中斷。	▶ 插入另一電子機具或電器的插頭並檢查是否可啟動。



故障	可能原因	解決方法
鑿破機未啟動。	發電機處於睡眠模式。	▶ 連接第二個電力消耗裝置（例如工作燈）至發電機上。將機具先關閉再開啟。
	可拆式電源線未正確安裝。	▶ 將可拆式電源線確實連上機具。
維修指示燈亮起紅燈。	機具發生錯誤或維修日期已到。	▶ 請務必將受損產品交付Hilti維修中心進行維修。
維修指示燈閃爍紅燈。	電源供應電壓過高。	▶ 使用不同的插座。檢查供電。
	過熱防護斷電系統已啟動。	▶ 讓機具冷卻。清潔通風口。在無負載下仍可運轉。
無鎚擊作業。	機具溫度太冷。	▶ 讓配件工具的尖端與工作面接觸，開啟機具使之旋轉。如果需要，請重複此程序直到鎚擊機制開始運作。
鑿破機無法啟動，或在運轉時停止。	延長線太長或口徑規格不足。	▶ 使用經認可的延長線及 / 或足夠的口徑。

9 廢棄設備處置

Hilti機具或設備所採用的材料大部分均可回收再利用。材料在回收前必須正確地分類。在許多國家中，您可以將舊機具及設備送回Hilti進行回收。詳情請洽Hilti維修中心，或當地Hilti代理商。



- ▶ 請勿將機具、電子設備或電池當作一般家用廢棄物處理！

10 RoHS (有害物質限制指令)

按一下本連結可前往危險物質表：qr.hilti.com/r4783。
您可在文件最後找到QR碼格式的RoHS表連結。

11 製造商保固

- ▶ 如果您對於保固條件有任何問題，請聯絡當地Hilti代理商。



1 文档信息

1.1 关于该文档

- 首次操作或使用前，请先阅读本文档。这是安全、无故障地操作和使用产品的前提条件。
- 请遵守本文档中以及产品上的安全说明和警告。
- 请务必将本操作说明与本产品保存在一起，确保将操作说明随产品一起交给他人。

1.2 使用符号的说明

1.2.1 警告

警告是为了提醒您在处理或使用此产品时会发生的危险。使用以下信号词：



危险！

- ▶ 用于让人们能够注意到会导致严重身体伤害或致命的迫近危险。



警告！

- ▶ 用于提醒人们注意可能导致严重或致命伤害的潜在危险。



小心！

- ▶ 用于提醒人们注意可能导致轻微人身伤害、设备损坏或其他财产损失的潜在危险情形。

1.2.2 文档中的符号

本文档中使用下列符号：



请在使用之前阅读操作说明。



使用说明和其他有用信息



处理可回收材料



不得将电气设备和电池作为生活垃圾处置

1.2.3 图示中的符号

图示中使用了下列符号：



这些编号指本操作说明开始处的相应图示。

3

图示中的编号反映操作顺序，可能与文本中描述的步骤不同。



概览图示中使用了项目参考号，该参考号指的是产品概览部分中使用的编号。



这些符号旨在提醒您在操作本产品时要特别注意的某些要点。

1.3 产品上的符号

1.3.1 产品使用的符号

产品使用的符号如下：



保护等级 II (双重绝缘)



不允许使用起重机进行运输



无线数据传输



1.4 产品信息

Hilti 产品仅供用于专业用途，并且只能由经过授权和培训的人员操作、维护和保养。该人员必须了解可能遇到的任何特殊危险。不按说明使用或由未经培训的人员不正确地使用本产品及其辅助设备可能会带来危险。

型号名称和序列号印在型号铭牌上。

▶ 在下表中填写序列号。联系喜利得服务部门或本地喜利得机构询问产品时，会要求您提供产品的详细信息。

产品信息 → 页码 179

产品信息

破碎机	TE 3000-AVR
分代号	01
序列号	

1.5 符合性声明

按照我们单方面的责任，我们声明本产品符合下列适用指令和标准：一致性声明副本位于本文档结尾处。技术文档在此处归档：

Hilti Entwicklungsgesellschaft mbH | Tool Certification | Hiltistrasse 6 | 86916 Kaufering, Germany

2 安全

2.1 一般电动工具安全警告

⚠ -警告

请阅读所有安全警告和操作说明。不遵守安全警告和操作说明可能会导致电击、火灾和/或严重人身伤害。

请保存所有安全警告和操作说明，以供将来参考。

在所有警告中，词语“电动工具”是指您的通过主电源操作的电动工具（带电缆）或通过自身电池操作的电动工具（不带电缆）。

工作区域安全

- ▶ 保持工作区域清洁和良好照明。杂乱和黑暗的区域容易导致事故。
- ▶ 不要在爆炸性环境中操作电动工具，例如有易燃液体、气体或灰尘。电动工具会产生可以点燃这些灰尘或烟雾的火花。
- ▶ 在操作电动工具时，要令儿童和旁观者远离工作现场。万一分心，可能会使您失去对电动工具的控制。

电气安全

- ▶ 电动工具（设备）插头必须匹配电源插座。切勿以任何方式改动插头。对于接地的电动工具（设备），不要使用任何适配器插头。使用未经改动的插头和匹配的电源插座可以大大减少电击危险。
- ▶ 避免人体接触接地表面，如管道、散热片和冰箱。如果您的身体接地，则会增加电击危险。
- ▶ 不要将电动工具暴露在雨水或潮湿环境中。电动工具进水将会增加电击危险。
- ▶ 不要滥用电缆。切勿使用电缆运送、拉动或拔出电动工具。保持电缆远离高温、油、锋利边缘或运动部件。电缆损坏或缠绕会增加电击危险。
- ▶ 当在户外操作电动工具时，应使用经认可适合户外操作的加长电缆。使用适合户外使用的电缆可减少电击危险。
- ▶ 如果在潮湿环境下操作电动工具是不可避免的，应使用剩余电流动作保护器（RCD）。使用 RCD 可减小电击危险。

人身安全

- ▶ 保持警觉，注意您正在进行的工作，并在操作电动工具的过程中，应利用自己的判断能力。当您疲劳或受到药物、酒精或医疗影响时，请不要使用电动工具。当操作电动工具时，瞬间的分心都可能导致严重的人身伤害。
- ▶ 使用个人防护装备。一定要戴上护目装置。防尘罩、防滑安全鞋、安全帽或用于适当情况下的听觉防护装置等防护装备可减少人身伤害。
- ▶ 防止电动工具意外启动。在连接至电源和/或电池组、拿起或搬运电动工具之前，应确保开关处于“关闭”位置。将手指放在开关上搬运电动工具或在开关处于“打开”位置时接通电源，都可能会导致事故发生。
- ▶ 在打开电动工具之前，必须拿掉任何调整键或扳手。让扳手或调整键留在电动工具的旋转部件上可能会导致人身伤害。
- ▶ 不要操之过急。应时刻保持正确的站姿和平衡。这在意外情况下能够更好地控制电动工具。
- ▶ 应正确穿着。不要穿着松垮的衣服或佩戴首饰。让头发、衣服和手套远离运动部件。松垮的衣服、首饰或长发会卡在运动部件中。



- ▶ 如果提供有用于连接除尘和集尘设施的装置，应确保将它们连接好并正确使用。使用除尘装置可以减少与灰尘相关的危险。

电动工具的使用和维护

- ▶ 不要强制使用电动工具。针对您的应用场合使用正确的电动工具。正确的电动工具在其额定设计值范围内将能够更好和更安全地工作。
- ▶ 如果通过开关不能使其打开和关闭，则请不要使用电动工具。任何不能通过开关进行控制的电动工具都是危险的，必须对其进行修理。
- ▶ 在进行任何调整、更换配件或存放电动工具之前，应从电源上断开插头和/或从电动工具上断开电池组。此预防性安全措施可减少意外启动电动工具的危险。
- ▶ 将不用的电动工具存放在儿童拿不到的地方，并且不要让不熟悉电动工具或其操作说明的人员操作电动工具。未经培训的用户操作电动工具是危险的。
- ▶ 维护电动工具。检查是否存在运动部件失调或卡滞、部件断裂和任何其他影响电动工具操作的情况。如果存在损坏，则在使用之前应修理电动工具。许多事故都是由于电动工具维护不良造成的。
- ▶ 保持切削工具锋利和清洁。带锋利切削刃的切削工具如果维护得当，很少会发生卡滞且更容易控制。
- ▶ 按照使用说明书，考虑作业条件和进行的作业来使用电动工具、附件和工具的刀头等。将电动工具用于指定用途以外的场合会导致危险。

保养

- ▶ 将您的电动工具送交专业维修人员，使用同样的备件进行修理。这样才能确保维持电动工具(设备)的安全性。

2.2 锤钻安全警告

- ▶ 戴好耳罩。暴露在噪声中会引起听力损伤。
- ▶ 使用随工具提供的辅助手柄。操作失手会引起人身伤害。
- ▶ 在切削附件可能触及暗线或其自身软线之处进行操作时，要通过绝缘握持面来握持工具。切削附件碰到带电导线会使工具外露的金属零件带电从而使操作者受到电击。

2.3 附加的安全说明

人身安全

- ▶ 工具处于良好的技术状态时才能使用。
- ▶ 不得以任何方式篡改或改动本工具。
- ▶ 在需要穿透的待加工工件的对侧采取适当的安全措施。被钻下的工件部分可能会弹出或掉落并伤害到其他人。
- ▶ 检查并确认侧面手柄已正确安装和可靠固定。应始终用双手通过提供的把手稳稳握住工具。保持把手干燥、清洁和没有油脂。
- ▶ 工作间隙抽时间休息并做体育锻炼，改善手指的血液循环状况。工作期间长时间暴露于振动环境中可能导致手指、手掌和手腕部位血管和神经系统紊乱。
- ▶ 本工具不能让未接受专门培训的身体虚弱的成人使用。
- ▶ 将电动工具放到儿童接触不到的地方。
- ▶ 在开始工作之前，应测定会产生的灰尘的危险等级。使用具有官方认可防护等级的工业真空吸尘器，并遵守当地适用的灰尘防护规定。
- ▶ 尽可能使用除尘系统和适当的真空吸尘器。一些材料产生的灰尘，例如含铅油漆、某些木屑、混凝土/砖石建筑/含二氧化硅的石块、矿物以及金属，可能对人体有害。
- ▶ 确保工作场所通风良好，必要时佩戴适用于产生的灰尘类型的呼吸器。接触或吸入这些灰尘可能会导致操作者或旁观者出现过敏性反应和/或呼吸疾病或其他疾病。某些种类的灰尘还属于致癌物质，例如橡木和山毛榉木灰尘，特别是在带木材调节添加剂(铬酸盐、木材防腐剂)时。含石棉的材料只能由专业人员进行处理。

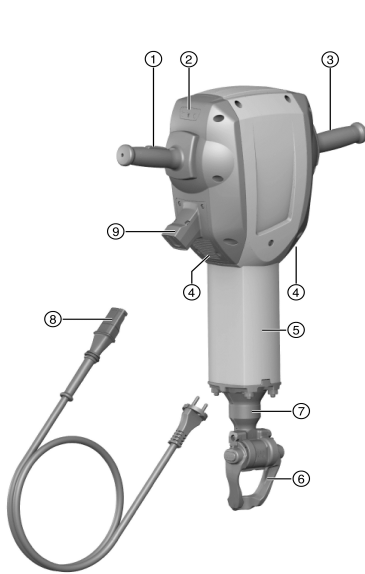
电气安全

- ▶ 开始工作之前，检查工作区域是否有隐蔽的电缆或天然气和水管。如果电缆意外损坏，电动工具的外部金属件可能导致电击。
- ▶ 定期检查电动工具的电源线，如果发现损坏，则让有资格的专业人员进行更换。如果本电动工具的电源线损坏，则必须将其更换为认可的特制电源线，该电源线由喜利得客户服务部门提供。定期检查加长电缆，如果发现损坏，则更换它们。在工作时，不要接触已损坏的电源线或加长电缆。将电源线插头从电源插座上断开。损坏的电源线或加长电缆会导致电击危险。
- ▶ 应定期到 Hilti 维修中心对频繁用于加工导电材料的脏污或多尘电动工具进行检查。在不利条件下，吸附到工具表面的灰尘(特别是导电材料产生的灰尘)或湿气会导致电击危险。
- ▶ 如果供电电源发生故障或中断，则应关闭电动工具并拔下电源线。这可防止供电恢复时电动工具意外重启。



3 说明

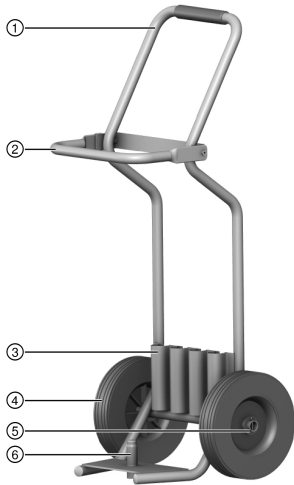
3.1 产品概述



- ① “打开/关闭”开关
- ② 维护指示灯
- ③ 把手
- ④ 通风口
- ⑤ 导向管
- ⑥ 配套工具固定器/锁杆
- ⑦ 夹头
- ⑧ 带键控可拆式插头的电源线
- ⑨ 电动工具的插头



3.2 运输车部件 2



- ① 把手
- ② 锁杆
- ③ 配套工具 (凿子) 用支架
- ④ 滚轮
- ⑤ 滚轮固定件 (垫圈、固定销)
- ⑥ 电动工具定位销

3.3 预期用途

所述产品为手持式电动破碎机，带 28 mm 六角夹头。它设计用于混凝土、砖石和沥青等材料的凿边作业。可能的应用还包括挖掘和压实。

▶ 只有当相连电源的电压和频率符合电动工具标牌上的给定信息时，才能操作本电动工具。

3.4 可能的误用

该产品不适用于加工危险材料。

该产品不适用于在潮湿环境下工作。

3.5 维护指示灯

破碎机配备了一个维护指示灯 LED。

状态	含义
维护指示灯呈红色亮起。	维护间隔周期结束 - 到了该进行维护的时候。 工具已经发生故障。
维护指示灯呈红色闪烁。	防止过热 电源提供的电压太高。

i 将产品及时送至 Hilti 服务中心。这有助于确保产品始终处于就绪状态。

3.6 Active Vibration Reduction (AVR)

破碎机配备有 Active Vibration Reduction (AVR) 系统，其可明显减小小振动。



3.7 供货提供的部件：

电动破碎机、操作说明、润滑脂。
运输车作为配件提供。



您可以在您当地的 Hilti 中心或通过在线访问 www.hilti.group 找到批准用于您的产品的其它系统产品

4 技术数据



有关额定电压、电流、频率和/或输入功率的详细信息，请参见各国特定的电动工具铭牌。

当通过发电机或变压器供电时，发电机或变压器的输出功率必须至少达到本电动工具铭牌上显示的额定输入功率的两倍。变压器或发电机的工作电压必须始终保持在在本电动工具额定电压的 +5% 和 -15% 范围内。

	TE 3000-AVR
重量 (按照 EPTA 程序 01)	29.9 kg
单次冲击能量 (按照 EPTA 程序)	68 J
存放温度	-20 °C ... 70 °C
工作环境温度	-17 °C ... 60 °C

4.1 噪音信息和振动值按照 EN 62841 标准

这些说明中给出的声压和振动值按照标准化测试的要求测得，可用于比较一种电动工具与另一种电动工具。它们可用于进行初步暴露评估。

提供的数据代表本电动工具的主要应用。但是，如果将电动工具用于不同的应用、使用不同的配件工具或维护不良，则数据可能不同。这可能会显著增加操作者在整个工作期间受振动影响的程度。

对受振动影响程度的准确估计还应考虑当关闭电动工具或当它运行但实际未进行工作时的情况。这可能会显著减小操作者在整个工作期间受振动影响的程度。

此外，应确定附加安全措施，以保护操作者免受噪音和/或振动影响，例如：正确维护电动工具和配套工具、保持双手温暖、合理安排工作方式。

噪音信息

声 (功率) 级 (L_{WA})	105 dB(A)
声音功率级的不确定性 (K_{WA})	3 dB(A)
声压级 (L_{pA})	94 dB(A)
声压级的不确定性 (K_{pA})	3 dB(A)

振动信息

凿边 ($a_{h, Cheq}$)	7 m/s ²
不确定性 (K)	1.5 m/s ²

4.2 使用加长电缆



损坏的电源线会构成危险！ 在工作时，不要接触已损坏的电源线或加长电缆。将电源线插头从电源插座上断开。

▶ 定期检查设备的电源线，如果发现损坏，则让有资格的专业人员进行更换。

- 请仅使用型号获准用于相关应用且导线尺寸 (横截面) 适当的加长电缆。否则可能会削弱电动工具性能，且加长电缆可能会过热。
- 定期检查加长电缆是否损坏。
- 更换已损坏的加长电缆。
- 当在户外工作时，应只能使用具有相应标记且准许户外使用的加长电缆。



120V 供电电压时推荐的最小导体横截面积和最大电源线长度

电源线	AWG 16	AWG 14	AWG 12	AWG 10
导体截面积	1,31 mm ²	2,08 mm ²	3,31 mm ²	5,26 mm ²
导体截面积	2,58 kcmil	4,11 kcmil	6,53 kcmil	10,4 kcmil
电源线长度	25 m	30 m	50 m	100 m
电源线长度	75 ft	100 ft	150 ft	250 ft

5 操作

5.1 工作现场的准备工作



-小心-

人身伤害的危险！产品意外启动。

- ▶ 对电动工具进行任何调节前或更换配件前，先拔出电源线插头。

请遵守本文档中以及产品上的安全说明和警告。

5.1.1 安装配件工具



每次使用前检查配件工具是否损坏或有不均匀磨损，必要时进行更换。检查并确认锁杆清洁且未受损坏。

1. 在配件工具的连接端涂抹少量润滑脂。
2. 打开锁杆。
3. 将配件工具尽可能推入夹头。
4. 用于带凸缘的配件工具时，将固定杆移至锁止位置 A。
5. 用于带锁止凹槽的配件工具时，将固定杆移至锁止位置 B。
 - ↳ 定位凿子，使凹槽朝向锁止位置 B。
6. 通过抓住并拉动凿子，检查并确认其已正确接合。
 - ↳ 可按照期望将带组合连接端 (带凸缘和凹槽) 的插入工具锁止在位置 A 或 B。



请仅使用 Hilti 提供的推荐润滑脂。使用不合适的润滑脂可能会损坏本产品。

5.1.2 拆卸配件工具



-警告-

人身伤害的危险！使用期间配套工具会变热，也会有锋利边缘。

- ▶ 更换工具时，戴上防护手套。



-危险-

着火危险！存在高温配套工具与高度易燃材料接触的风险。

- ▶ 不要将高温配套工具放到高度易燃材料上。



-警告-

人身伤害的危险！热表面导致的灼伤危险。

- ▶ 注意避免接触到导向管，因为在使用电动工具后该部件会变热。

1. 打开锁杆。
2. 将配件工具拉出夹头。

5.2 可拆卸电源线



-小心-

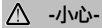
人身伤害的危险！触点变脏可能导致漏电！

- ▶ 只有当可拆卸插头清洁、干燥且电源线从插座内拔出时，才能将可拆卸插头插入电动工具中。



- ▶ 连接/断开可拆卸电源线。

5.2.1 连接可拆卸电源线



人身伤害的危险！触点变脏可能导致漏电！

▶ 只有当可拆卸插头清洁、干燥且电源线从插座内拔出时，才能将可拆卸插头插入电动工具中。

1. 将可拆卸式键控电插头在插座中插到底，直到听到其接合的声音。
2. 将电源线插头插入电源插座。

5.2.2 断开可拆卸电源线

1. 从电源插座上拔掉电源线插头。
2. 按下释放按钮，从插座中拔出带钥匙的可拆卸式电插头。
3. 从电动工具上拉出电源线插头。

6 维护和保养



插入电池时存在人身伤害危险！

- ▶ 执行维护和保养任务之前，请务必先取出电池。

本工具的维护和保养

- 小心地清除顽固污渍。
- 使用干燥的刷子小心清洁通风孔。
- 请仅使用略湿的布清洁壳体。不要使用含硅清洁剂，否则可能腐蚀塑料件。

锂离子电池的保养

- 确保电池远离油和油脂。
- 请仅使用略湿的布清洁壳体。不要使用含硅清洁剂，否则可能腐蚀塑料件。
- 注意避免湿气侵入。

维护

- 定期检查所有可见部件和控制器是否出现损坏迹象，确保其全部正常工作。
- 如果发现损坏迹象或如果有部件发生故障，不要操作本产品。立即将产品交由 Hilti 维修中心修复。
- 清洁和维护之后，安装所有护板或保护装置，检查并确认其正常工作。



为确保安全和可靠的操作，仅限使用喜利得原装备件和消耗品。Hilti 批准用于配合产品使用的备件、消耗品和配件可到您当地的 **Hilti Store** 购买或通过以下网址在线订购：www.hilti.group。

7 运输和存放

- 运输电动工具时不得安装配套工具。
- 储存电动工具或设备之前，必须拔掉电源线。
- 将工具和设备存放在儿童或非授权人员无法接近的干燥位置。
- 经过长时间的运输或储存后，检查电动工具或设备是否损坏。

8 故障排除

如果您碰到的问题未在此表中列出或您无法自己实施补救措施，请联系 **Hilti** 服务部门。

8.1 故障排除

故障	可能原因	解决方案
破碎机未启动。	正在进行电子设备初始化(连接电源后需要 4 秒钟)。在电源中断之后电子重新启动联锁装置启动。	▶ 关闭电动工具然后再次打开。
	电源中断。	▶ 接上另一电动工具或设备并检查它是否工作。



故障	可能原因	解决方案
破碎机未启动。	发电机处于睡眠模式。	▶ 通过连接另一个耗电产品 (例如, 工作灯) 给发电机施加负载。关闭工具后再次打开。
	可拆卸电源线没有正确连接。	▶ 将可拆卸电源线正确连接至电动工具。
维护指示灯呈红色亮起。	工具有故障或保养到期。	▶ 仅限将本产品交由 Hilti 维修中心修复。
维护指示灯呈红色闪烁。	电源提供的电压太高。	▶ 使用不同的电源输出口。检查电源。
	过热保护切断功能已经启动。	▶ 让工具冷却下来。清洁通风孔。仍可在空载状态下运行。
没有锤击作用。	电动工具过冷。	▶ 使配套工具尖接触到工作面, 打开电动工具并使其运转。必要时, 重复该步骤, 直到锤击机构开始工作。
破碎机不启动或在工作过程中被切断。	加长电缆过长或其截面积不足。	▶ 使用具有许可长度和/或足够截面积的加长电缆。

9 废弃处置

大部分用于 Hilti 工具和设备生产的材料是可回收利用的。在可以回收之前, 必须正确分离材料。在很多国家, 您的旧工具、机器或设备可送至 Hilti 进行回收。敬请联系 Hilti 服务部门或您的喜利得公司代表获得更多信息。



- ▶ 不得将电动工具、电子设备或电池作为生活垃圾处置!

10 RoHS (有害物质限制)

单击链接跳转至有害物质表: qr.hilti.com/r4783。
文档末尾提供转至 RoHS 表的二维码链接。

11 制造商保修

- ▶ 如果您有保修条件方面的问题, 请联系您当地的 Hilti 公司代表。



EC Declaration of Conformity | UK Declaration of Conformity



Manufacturer:
Hilti Corporation
Feldkircherstraße 100
9494 Schaan | Liechtenstein

Importer:
Hilti (Gt. Britain) Limited
1 Trafford Wharf Road, Old Trafford
Manchester, M17 1BY

TE 3000-AVR (01)

Serial Numbers: 1-9999999999

2006/42/EC Supply of Machinery (Safety) Regulations 2008	EN 60745-1:2009 + A11:2010	EN 60745-2-6:2010
2014/30/EU Electromagnetic Compatibility Regulations 2016	EN 55014-1:2017 + A11:2020	EN 55014-2:2015
2011/65/EU The Restriction of the Use of Certain Hazardous Substances in Electrical and Electronic Equipment Regulations 2012	EN 61000-3-2:2019	EN 61000-3-3:2013 + A1:2019
2000/14/EC Noise Emission in the Environment by Equipment for use Outdoors Regulations 2001		

Details to 2000/14/EC | Noise Emission in the Environment by Equipment for use Outdoors Regulations 2001:

Measured sound power level L_{WA} : 105 dB/1pW

Guaranteed sound power level, L_{WAd} : 108 dB/1pW

Conformity assessment procedure: 2000/14/EC, Annex VI | Noise Emission in the Environment by Equipment for use Outdoors Regulations 2001, Schedule 9

EU Notified Body | TÜV NORD CERT GmbH, Langemarckstr. 20, 45141 Essen, Germany (CE 0044) |
UK Approved Body | HORIBA MIRA Certification Ltd, Watling Street, Nuneaton, Warwickshire CV10 0TU (No 0888)

Schaan, 29.07.2021

Dr. Tahar Zrilli
Head of Quality and Process Management
Business Area Electric Tools & Accessories

Tassilo Deinzer
Executive Vice President
Business Unit Power Tools & Accessories





Hilti Corporation
LI-9494 Schaan
Tel.:+423 234 21 11
Fax:+423 234 29 65
www.hilti.group



2164701



Hilti Connect



2190685