

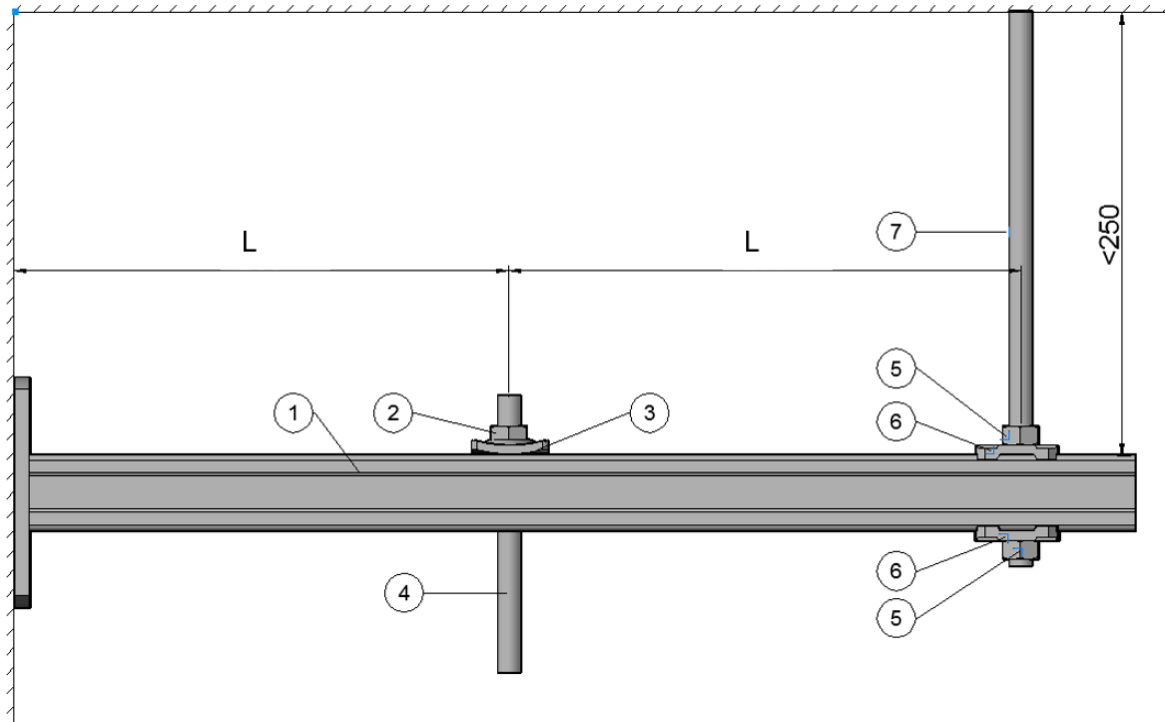


## DECLARATION OF PERFORMANCE

according to Annex III of the Regulation (EU) Nr. 305/2011 (Construction Products Regulation)

### 1. Unique identification code of the product-type:

Hilti suspended brackets MQK-41/3/300, MQK-41/3/450, MQK-41/3/600, MQK-41/300, MQK-41/450, MQK-41/600 with load introduction components



L= 115 mm for MQK-41/3/300 and MQK-41/300

L= 190 mm for MQK-41/3/450 and MQK-41/450

L= 265 mm for MQK-41/3/600 and MQK-41/600

Position	Item number	Designation
1	370595	MQK-41/3/300
	370596	MQK-41/3/450
	370597	MQK-41/3/600
	369609	MQK-41/300
	369610	MQK-41/450
	369611	MQK-41/600
2	216467	Hexagon-nut M12
3	2199453	MQA-M12-B
4	339797, 216420, 216421	Threaded rod M12
5	216466	Hexagon-nut M10
6	2199455	MQZ-L11
7	339795, 339796, 216418	Threaded rod M10



**2. Type, batch or serial number or any other element allowing identification of the construction product as required pursuant to Article 11(4):** Type and lot number are displayed on the packaging

**3. Intended use or uses of the construction product, in accordance with the applicable harmonized technical specification, as foreseen by the manufacturer:**

Supporting technical equipment for building services such as pipes, conduits, ducts and cables according to the harmonized european specification EAD 280016-00-0602

**4. Name, registered trade name or registered trade mark and contact address of the manufacturer as required pursuant to Article 11(5):**

Hilti Corporation, Feldkircherstrasse 100, 9494 Schaan, Liechtenstein

**5. Where applicable, name and contact address of the authorised representative whose mandate covers the tasks specified in Article 12(2):** n/a

**6. System or systems of assessment and verification of constancy of performance of the construction product as set out in Annex V:** System 3

**7. In case of the declaration of performance concerning a construction product covered by a harmonised standard:** n/a

**8. In case of the declaration of performance concerning a construction product for which a European Technical Assessment has been issued:**

Deutsches Institut für Bautechnik (DIBt) issued ETA 18/0176 on the basis of EAD No. 280016-00-0602.

MFPA Leipzig performed third party tasks under system 3 and issued the Assessment Report G 6.1/17-044-1.

**9. Declared performance**

Essential Characteristics	Declared Performance	Harmonized Technical Specification
Characteristics at elevated temperature	see ETA 18/0176	EAD Nr.: 280016-00-0602
Reaction to fire: Steel parts	A1	

**10. The performance of the product identified in points 1 and 2 is in conformity with the declared performance in point 9. This declaration of performance is issued under the sole responsibility of the manufacturer identified in point 4.**

Signed for and on behalf of the manufacturer by:

Peter Rupp  
Head of Business Unit Installation

Maximilian Schubert  
Head of Quality BU Installation

Hilti Corporation, Schaan, July 2018