

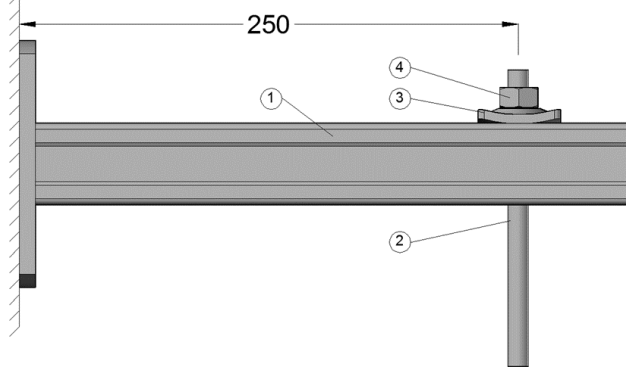


## DECLARATION OF PERFORMANCE

according to Annex III of the Regulation (EU) Nr. 305/2011 (Construction Products Regulation)

### 1. Unique identification code of the product-type:

Hilti bracket MQK-41/3/300 with load introduction components



Position	Item number	Designation
1	370595	MQK-41/3/300
2	339797, 216420, 216421	Threaded rod M12
3	2199453	MQA-M12-B
4	216467	Hexagon-nut M12

**2. Type, batch or serial number or any other element allowing identification of the construction product as required pursuant to Article 11(4):** Type and lot number are displayed on the packaging

**3. Intended use or uses of the construction product, in accordance with the applicable harmonized technical specification, as foreseen by the manufacturer:**

Supporting technical equipment for building services such as pipes, conduits, ducts and cables according to the harmonized european specification EAD 280016-00-0602

**4. Name, registered trade name or registered trade mark and contact address of the manufacturer as required pursuant to Article 11(5):**

Hilti Corporation, Feldkircherstrasse 100, 9494 Schaan, Liechtenstein

**5. Where applicable, name and contact address of the authorised representative whose mandate covers the tasks specified in Article 12(2):** n/a

**6. System or systems of assessment and verification of constancy of performance of the construction product as set out in Annex V:** System 3

**7. In case of the declaration of performance concerning a construction product covered by a harmonised standard:** n/a

**8. In case of the declaration of performance concerning a construction product for which a European Technical Assessment has been issued:**

Deutsches Institut für Bautechnik (DIBt) issued ETA 18/0177 on the basis of EAD No. 280016-00-0602. MFPA Leipzig performed third party tasks under system 3 and issued the Assessment Report G 6.1/17-044-1.

### 9. Declared performance

Essential Characteristics	Declared Performance	Harmonized Technical Specification
Characteristics at elevated temperature	see ETA 18/0177	EAD Nr.: 280016-00-0602



Reaction to fire	A1	
------------------	----	--

**10. The performance of the product identified in points 1 and 2 is in conformity with the declared performance in point 9. This declaration of performance is issued under the sole responsibility of the manufacturer identified in point 4.**

Signed for and on behalf of the manufacturer by:

X 

---

Peter Rupp  
Head of Business Unit Installation

X 

---

Maximilian Schubert  
Head of Quality BU Installation

Hilti Corporation, Schaan, July 2018