

S-WD 15C 5.5xL Coated self-drilling wing tip screws

Product Data

General information

Material Specification:

Carbon steel: case-hardened

Coating : Duplex Coating

Fastening Tool:

Screw driver: Hilti ST 1800-A22 / ST 1800

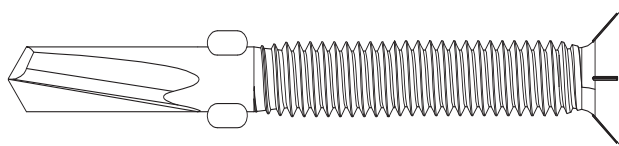
Bit: S-B PH 3 T- 5.5

Bit holder: S-BH R 50 M

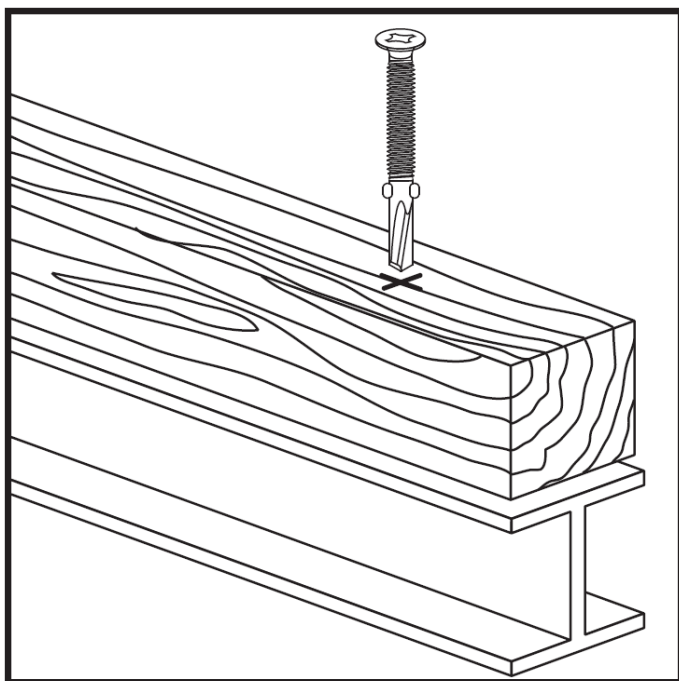
Item no. 258126

Item no. 408553

Dimensions



Applications



Load data

Drilling capacity: 5.5xL max DC = 12 mm

| Characteristic loads | | Component II steel with t_{ij} [mm] S280GD, S320GD or S350GD (EN 10326) | | | | |
|---|------|---|-----------------------------|------|--------|--|
| | | 4.00 | 5.00 | 6.00 | > 6.00 | |
| | | Shear force V_{Rk} [kN] | | | | |
| Component I Solid timber S10/C24 ($\rho_k \geq 350 \text{ kg/m}^3$) t_i [mm] | 20 | 1.85 | 1.85 | 1.85 | 1.85 | |
| | 30 | 1.85 | 1.85 | 1.85 | 1.85 | |
| | 40 | 1.85 | 1.85 | 1.85 | 1.85 | |
| | 50 | 1.85 | 1.85 | 1.85 | 1.85 | |
| | 60 | 1.85 | 1.85 | 1.85 | 1.85 | |
| | | | Tensile force N_{Rk} [kN] | | | |
| | 20 | 1.00 | 1.00 | 1.00 | 1.00 | |
| | 30 | 1.00 | 1.00 | 1.00 | 1.00 | |
| | 40 | 1.00 | 1.00 | 1.00 | 1.00 | |
| | 50 | 1.00 | 1.00 | 1.00 | 1.00 | |
| 60 | 1.00 | 1.00 | 1.00 | 1.00 | | |

Safety factors

| | Tension | Shear |
|-------------------------------|--------------------------|---------------------------|
| Partial safety concept | | |
| Partial safety factor | $\gamma_M = 1.33$ | $\gamma_M = 1.33$ |
| Design load | $N_{Rd} = N_{Rk} / 1.33$ | $V_{rec} = V_{Rd} / 1.33$ |
| Global safety concept | | |
| Global safety factor | $\gamma_{GLOB} = 2.0$ | $\gamma_{GLOB} = 2.0$ |
| Recommended load | $N_{rec} = N_{Rk} / 2.0$ | $V_{rec} = V_{Rk} / 2.0$ |

Screw Selection

Screw program

| Drilling thickness max. DC [mm] | Fastening thickness max. MF [mm] | Dimensions (dxL) [mm] | Head size AF | Package contents | Ordering designations | Item no. |
|--|---|-----------------------|--------------|------------------|-----------------------|----------|
| 12mm | 30mm | 5.5x65 | 10.1mm | 100 | S-WD15C 5.5x65 | 287079 |
| 12mm | 55mm | 5.5x85 | 10.1mm | 100 | S-WD15C 5.5x85 | 287573 |
| 12mm | 85mm | 5.5x119 | 10.1mm | 100 | S-WD15C 5.5x119 | 289145 |