



APPLICATION:

Wall Thickness Diagrams

ID:

CFS-FS: 16

INFORMATION:

- Not to scale
- All units are in millimetres
- Tested according EN 1366-3
- Classification No. 23581B

CFS-FS M Flexible Seal

REV:

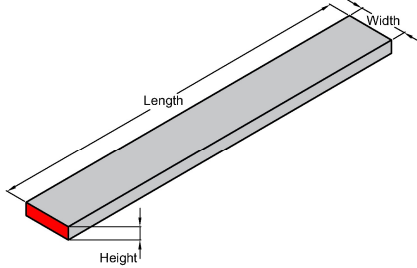
DATE:

02

02/2025

Fire Rating up to EI 60

Page 1/1

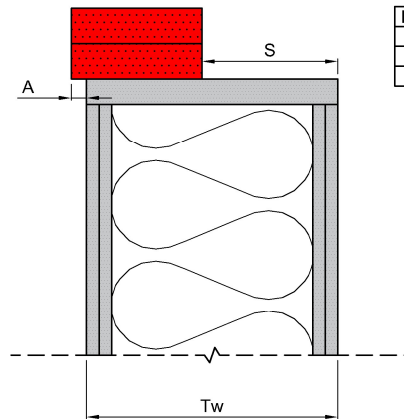
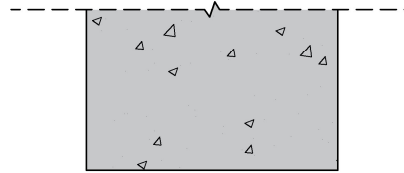


CFS-FS Product Dimensions [mm]		
Width	Length	Height
130	1000	35

Wall Thickness (Tw)
All wall thicknesses between these tested are covered: Minimum wall thickness = 100mm Maximum wall thickness = 500mm
Wall comprising timber or steel studs. Wall construction itself has been classified according to EN 13501-2

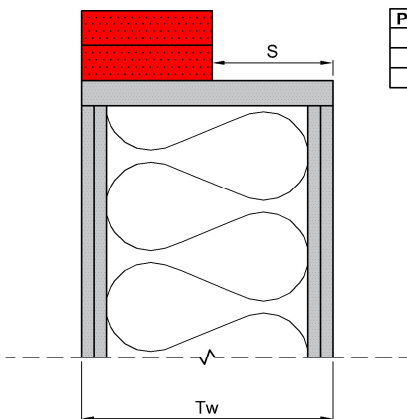
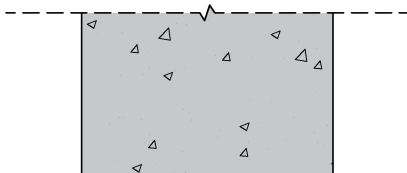
Seal Position
The CFS-FS penetration seal can be installed centrally inside the wall (detail 1) or eccentrically (details 2, 3) as long as the following positions in relation to both wall surfaces are respected: $S/S_2 \leq 185$ mm; $A \leq 15$ mm

1: CFS-FS M Overhanging wall



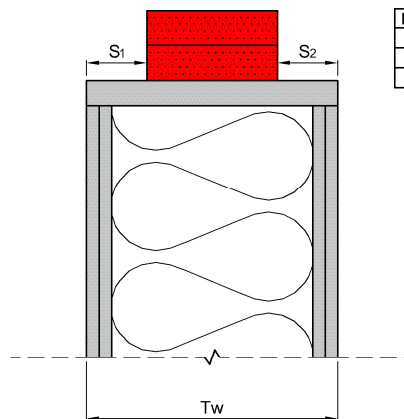
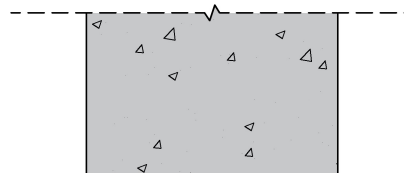
Permitted Dimensions	
S	≤ 185
A	≤ 15
Tw	≤ 300

2: CFS-FS M Flush with wall



Permitted Dimensions	
S	≤ 185
A	n/a
Tw	≤ 315

3: CFS-FS M Centred in opening



Permitted Dimensions	
S ₁ , S ₂	≤ 185
A	n/a
Tw	≤ 500

1. The application limits on this detail are for guidance purposes only. For more detailed information based on the full range of available test results please contact the Hilti Technical Advisory Service.
 2. The product and application has been assessed as a minimum to the BS 476 standard. It may have additional European and worldwide testing. Please contact Hilti for further information.
 3. All installations should be carried out in accordance with Hilti's installation instructions and by competent & experienced installers using Hilti branded products.
 4. All services are to be correctly and adequately supported to prevent collapse and distortion.