



APPLICATION:

Rectangular PVC Duct

ID:

CFS-FS: 10

INFORMATION:

- Not to scale
- All units are in millimetres
- Tested according EN 1366-3
- Classification No. 23581B

CFS-FS M Flexible Seal w/ CFS-B

REV:

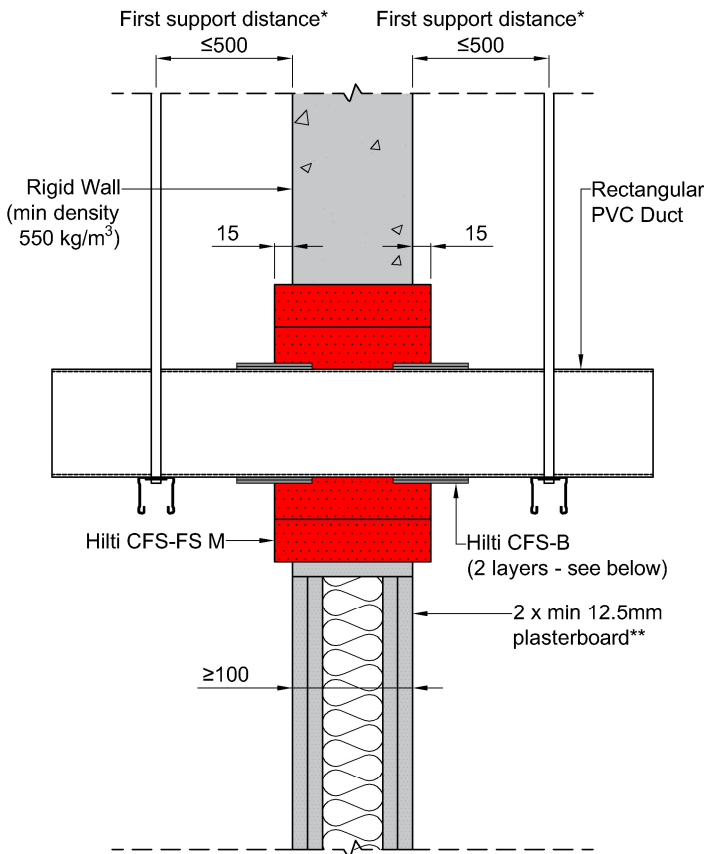
DATE:

02

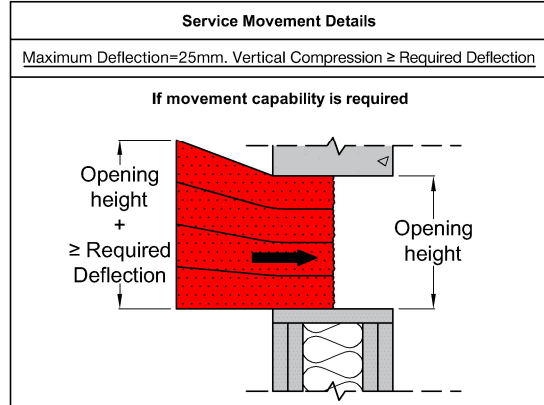
02/2025

Fire Rating up to EI 60

Page 1/1



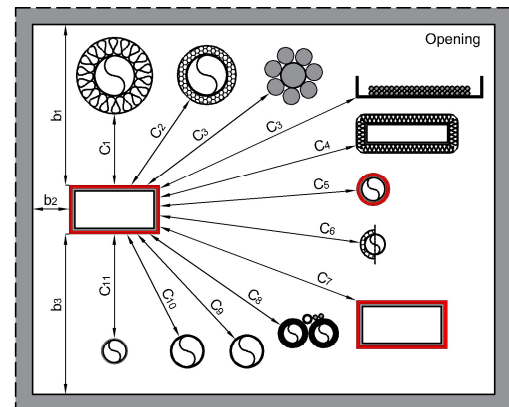
Acoustics rating: $R_w = 50$
 Maximum opening dimensions: 1200x500mm. For blank openings see approval documents.
 *First support and ancillary products should be capable of achieving the same fire performance as the seal and supporting structure.
 **Comprising timber or steel studs. Wall construction itself has been classified according to EN 13501-2.



Ref.	Service Type (See service standard detail for more specific information)	Distance (mm) [†]
b ₁	To top of opening	≥70 ^{††}
b ₂	To side of opening	≥0 ^{††}
b ₃	To bottom of opening	≥35 ^{††}
C ₁	To metal pipe w/ mineral wool insulation	≥0
C ₂	To metal pipe w/ combustible insulation	≥30
C ₃	To cables/cable bundles/cable carriers	≥30 ^{†††}
C ₄	To cable trunking w/ mineral wool insulation	≥0
C ₅	To combustible plastic pipe & conduit w/ Hilti CFS-B	≥0
C ₆	To MLC (Aluminium composite) pipe w/ or w/o insulation	≥50
C ₇	To rectangular PVC Duct w/ Hilti CFS-B	≥0
C ₈	To KlimaSplit bundle	≥50
C ₉	To CPVC	≥30
C ₁₀	To combustible plastic pipe & conduit w/o addn. protection	≥50
C ₁₁	To TracPipe®	≥30

[†]All distance values can be horizontal, vertical or diagonal.
^{††}b₁, b₂, b₃ = 0mm if no movement is required.
^{†††}For cables d > 21mm, a min distance of 100mm from other services is required.

Rectangular PVC Duct		
Material	Max Dimensions (Wx H) [mm]	Classification
PVC	≤ 220 x ≤ 90 [†]	EI 60 (U/U)
Note: Rectangular PVC Duct Requires 2 layers of Hilti CFS-B [†] Wall thickness: 2.0 mm		



- The application limits on this detail are for guidance purposes only. For more detailed information based on the full range of available test results please contact the Hilti Technical Advisory Service.
- The product and application has been assessed as a minimum to the BS 476 standard. It may have additional European and worldwide testing. Please contact Hilti for further information.
- All installations should be carried out in accordance with Hilti's installation instructions and by competent & experienced installers using Hilti branded products.
- All services are to be correctly and adequately supported to prevent collapse and distortion.