



APPLICATION:

# Combustible Plastic Pipe ( $d \leq 50\text{mm}$ )

ID:

**CFS-FS: 02**

**INFORMATION:**

- Not to scale
- All units are in millimetres
- Tested according EN 1366-3
- Classification No. 23581B

## CFS-FS M Flexible Seal

REV:

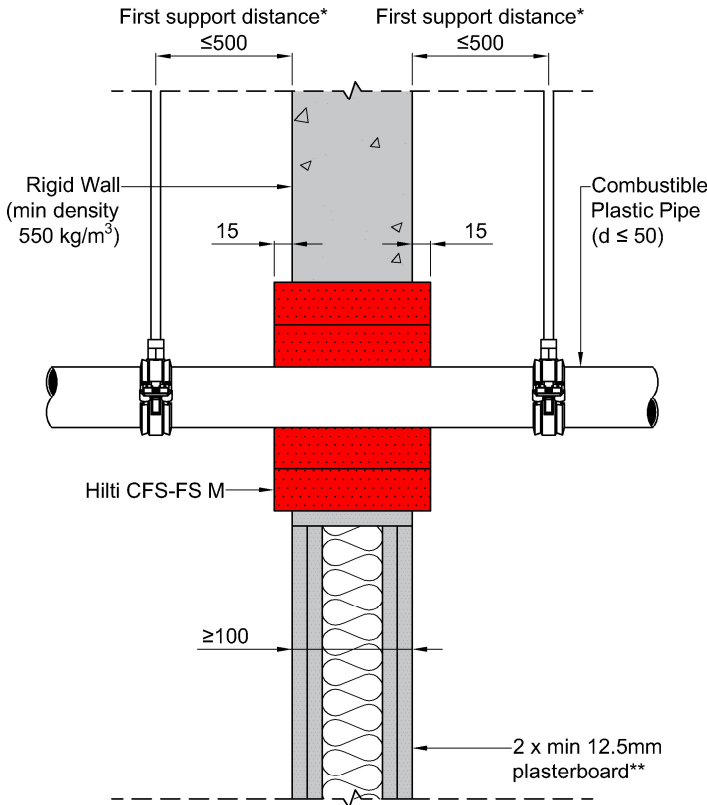
DATE:

**02**

**02/2025**

## Fire Rating up to EI 60

**Page 1/1**

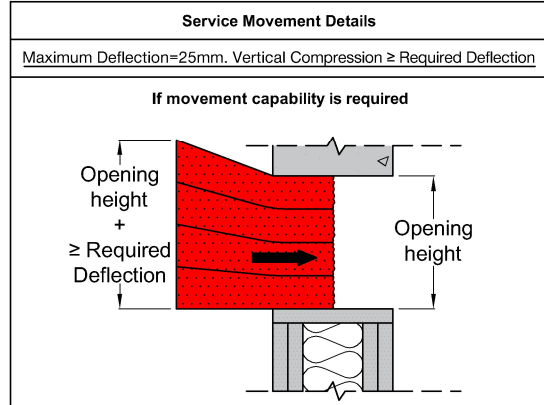


Acoustics rating:  $R_w = 50$

Maximum opening dimensions: 1200x500mm. For blank openings see approval documents.

\*First support and ancillary products should be capable of achieving the same fire performance as the seal and supporting structure.

\*\*Comprising timber or steel studs. Wall construction itself has been classified according to EN 13501-2.



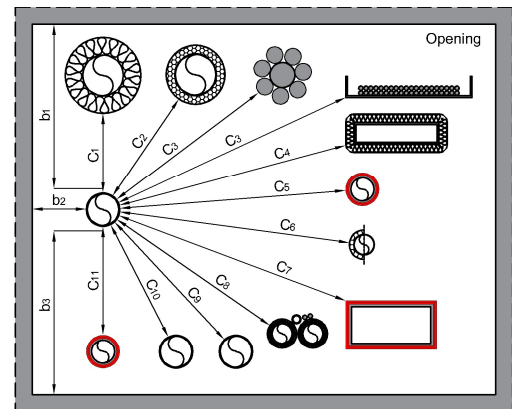
Ref.	Service Type (See service standard detail for more specific information)	Distance (mm) <sup>†</sup>
b <sub>1</sub>	To top of opening	≥70 <sup>††</sup>
b <sub>2</sub>	To side of opening	≥50 <sup>††</sup>
b <sub>3</sub>	To bottom of opening	≥50 <sup>††</sup>
C <sub>1</sub>	To metal pipe w/ mineral wool insulation	≥50
C <sub>2</sub>	To metal pipe w/ combustible insulation	≥50
C <sub>3</sub>	To cables/cable bundles/cable carriers	≥50 <sup>†††</sup>
C <sub>4</sub>	To cable trunking w/ mineral wool insulation	≥50
C <sub>5</sub>	To combustible plastic pipes w/ <a href="#">Hilti CFS-B</a>	≥50
C <sub>6</sub>	To MLC (Aluminium composite) pipe w/ or w/o insulation	≥50
C <sub>7</sub>	To rectangular PVC Duct w/ <a href="#">Hilti CFS-B</a>	≥50
C <sub>8</sub>	To ClimaSplit bundle	≥50
C <sub>9</sub>	To CPVC or TracPipe®	≥50
C <sub>10</sub>	To combustible plastic pipe & conduit w/o addn. protection	≥50
C <sub>11</sub>	To conduit w/ <a href="#">Hilti CFS-B</a>	≥50

<sup>†</sup>All distance values can be horizontal, vertical or diagonal.

<sup>††</sup>b<sub>1</sub>, b<sub>2</sub>, b<sub>3</sub> = 50mm if no movement is required.

<sup>†††</sup>For cables d > 21mm, a min distance of 100mm from other services is required.

Combustible Plastic Pipe ( $d \leq 50$ )		
Material	Diameter (Range of Wall Thickness) [mm]	Classification
Combustible Plastic Pipe	$d \leq 40$ (1.8/4.5)	EI 60 (U/U)
	$d \leq 50$ (1.8/5.6)	EI 60 (U/C)
The following pipe types are included: -PVC-U in accordance with EN 1329-1, EN1453-1, EN ISO 15493, and EN ISO 1452-2 as well as pipes made of PVC-C in accordance with EN 1566-1, EN ISO 15493 and EN ISO 15877-2  -PE in accordance with EN 12201-2, EN 1519-1, EN ISO 15494 and EN 12666-1  -ABS in accordance with EN 1455-1 and EN ISO 15493  -SAN+PVC in accordance with ISO 19220  -PP in accordance with EN 1451-1 (solid wall pipes), EN ISO 15874, EN ISO 15494 but not for multilayer plastic pipes made of PP		



1. The application limits on this detail are for guidance purposes only. For more detailed information based on the full range of available test results please contact the Hilti Technical Advisory Service.  
 2. The product and application has been assessed as a minimum to the BS 476 standard. It may have additional European and worldwide testing. Please contact Hilti for further information.  
 3. All installations should be carried out in accordance with Hilti's installation instructions and by competent & experienced installers using Hilti branded products.  
 4. All services are to be correctly and adequately supported to prevent collapse and distortion.