



APPLICATION:

Plastic Conduits Within Drywall and Rigid Wall

ID:

**CD-25:
SP-FW/RW-E-02**

INFORMATION:

- Not to scale
- All units are in millimetres
- Tested according EN 1366-3
- [Approval ETA-16/0050](#)

CFS-D 25 Firestop Cable Disc

REV:

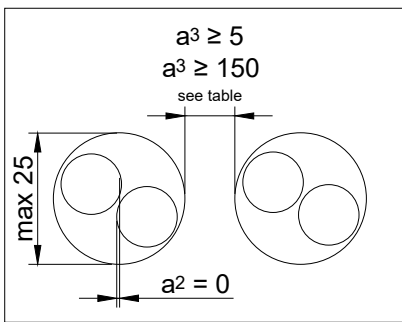
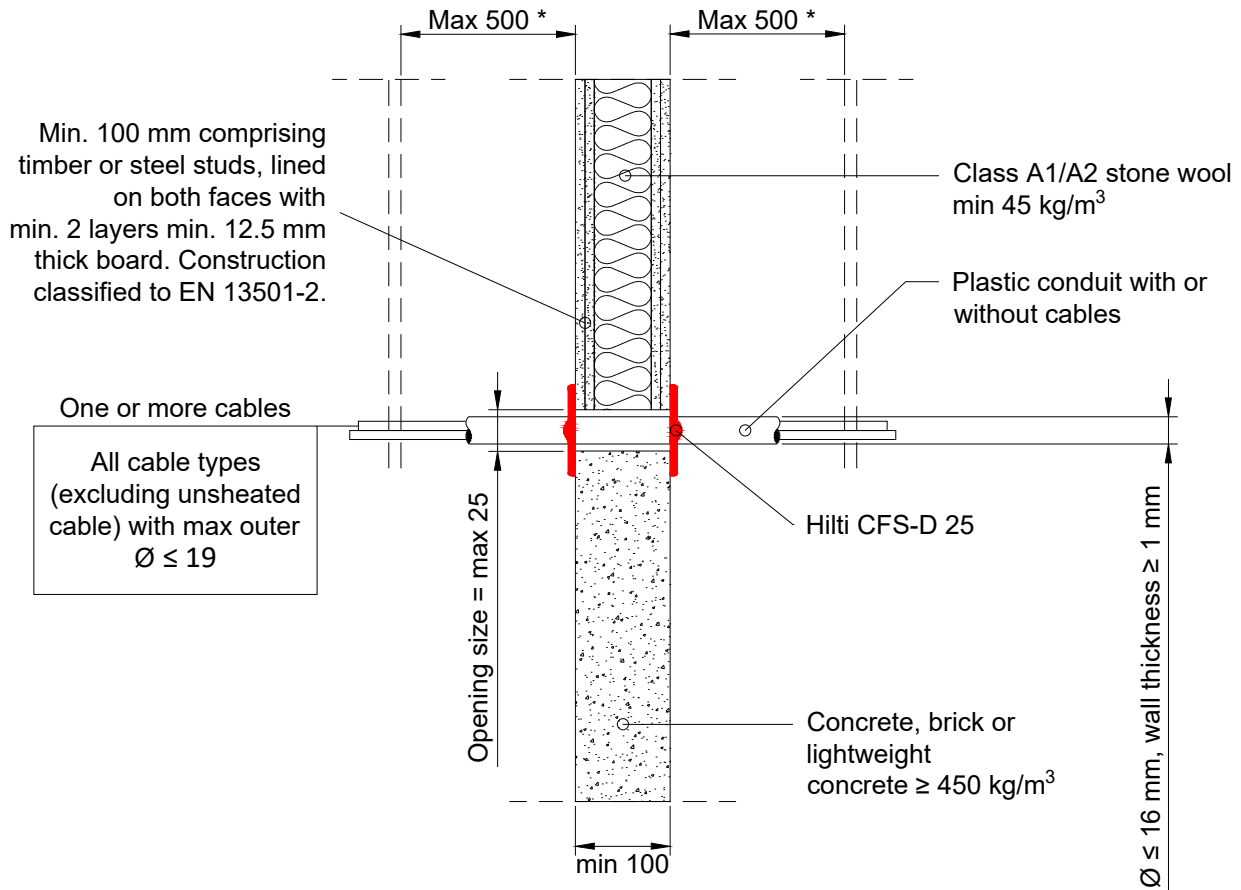
01

DATE:

10/2024

Fire Rating up to EI 90

Page 1/1



Max. opening size 625 mm²
(25 x 25 mm)

- Sound insulation $R_w = 62$ dB, according to EN ISO 717-1
- First support and ancillary products should be capable of achieving the same fire performance as the seal and supporting structure.

$\varnothing \leq 16$ mm, wall thickness ≥ 1 mm	Distance of nerbay penetrations [a^3]	Classification
Plastic conduits and plastic tubes	≥ 5 mm	EI 60 C/U E 90 C/U
Plastic conduits and plastic tubes	≥ 150 mm	EI 90 C/U

1. The application limits on this detail are for guidance purposes only. For more detailed information based on the full range of available test results please contact the Hilti Technical Advisory Service.
 2. The product and application has been assessed as a minimum to the BS 476 standard. It may have additional European and worldwide testing. Please contact Hilti for further information.
 3. All installations should be carried out in accordance with Hilti's installation instructions and by competent & experienced installers using Hilti branded products.
 4. All services are to be correctly and adequately supported to prevent collapse and distortion.